

# **inoréa**

## **Automatismes & Industrie**



## **COMPLETE INSTRUCTIONS**

### **FREQUENCY INVERTER VFR-091**

Inoréa Automation & Industry  
9 rue du Lugan  
33130 BEGLES  
[contact@inorea.com](mailto:contact@inorea.com)  
[www.inorea.com](http://www.inorea.com)

# FOREWORD

Thank you for choosing POWTRAN PI9000 Series Frequency Inverter. This product made by POWTRAN is based on years of experience in professional production and sale, and designed for variety of industrial machinery, fan and water pump drive unit and IF heavy-duty grinding unit.

This manual provides user the relevant precautions on installation, operational parameter setting, abnormal diagnosis, routine maintenance and safe use. In order to ensure correct installation and operation of the frequency converter, please carefully read this manual before installing it.

For any problem when using this product, please contact your local dealer authorized by this company or directly contact this company, our professionals are happy to serve you.

The end-users should hold this manual, and keep it well for future maintenance & care, and other application occasions. For any problem within the warranty period, please fill out the warranty card and fax it to the authorized dealer.

The contents of this manual are subject to change without prior notice. To obtain the latest information, please visit our website.

For more product information, please visit: [http:// www.powtran.com](http://www.powtran.com)

。 POWTRAN

April, 2013

# TABLE OF CONTENTS

Chapter 1. Inspection and safety precautions.....	
Chapter 2 Standard specifications .....	4
Chapter 3 Keyboard .....	24
Chapter 4 Commissioning.....	39
Chapter 5 Function parameter.....	41
Chapter 6 EMC (Electromagnetic Compatibility) .....	180
Chapter 7 Troubleshooting.....	183
Chapter 8 Installation and spare circuit.....	192
Chapter 9 Maintenance and Repair .....	199
Chapter 10 Options .....	201
Chapter 11 Warranty .....	221
Appendix I RS485 Communication protocol.....	222
Appendix II How to use universal encoder expansion card.....	235
Warranty Card.....	237
Customer Feedback Form of Powtran - Inverter Failure .....	238
Product Information Feedback.....	240



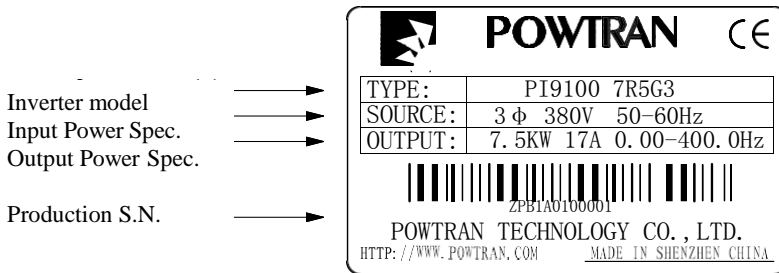
## Chapter 1. Inspection and safety precautions

POWTRAN frequency inverters have been tested and inspected before leaving factory. After purchasing, please check if its package is damaged due to careless transportation, and if the specifications and model of the product are consistent with your order requirements. For any problem, please contact your local authorized POWTRAN dealer or directly contact this company.

### 1-1. Inspection after unpacking

- ※ Check if that packing container contains this unit, one manual and one warranty card.
- ※ Check the nameplate on the side of the frequency inverter to ensure that the product you have received is right the one you ordered.

#### 1-1-1. Instructions on nameplate



<b>POWTRAN</b> <span style="float: right;">CE</span>	
TYPE:	PI9100 7R5G3
SOURCE:	3 $\phi$ 380V 50-60Hz
OUTPUT:	7.5KW 17A 0.00-400.0Hz

ZPB1A0100001

POWTRAN TECHNOLOGY CO., LTD.  
[HTTP://WWW.POWTRAN.COM](http://www.powtran.com)      MADE IN SHENZHEN CHINA

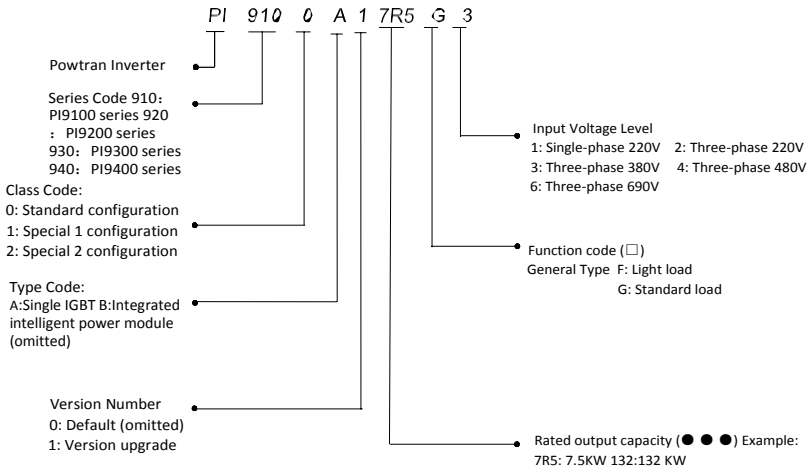
Inverter model →

Input Power Spec. →

Output Power Spec. →


Production S.N. →


#### 1-1-2. Model designation












## 1-2.Safety precautions


Safety precautions in this manual are divided into the following two categories:

 **Danger:** the dangers caused by failure to perform required operation, may result in serious injury or even death;

 **Caution:**the dangers caused by failure to perform required operation, may result in moderate injury or minor injury, and equipment damage;

Process	Type	Explanation
Before installation	 Danger	<ul style="list-style-type: none"> <li>• When unpacking, if control system with water, parts missed or component damaged are found, do not install!</li> <li>• If packing list does not match the real name, do not install!</li> <li>• Gently carry with care, otherwise there is the risk of damage to equipment!</li> <li>• Please do not use the damaged driver or the frequency inverter with missed pieces, otherwise there is the risk of injury!</li> <li>• Do not use your hand to touch the control system components, otherwise there is the risk of electrostatic damage!</li> </ul>
When installing	 Danger	<ul style="list-style-type: none"> <li>• Please install the unit on the metal or flame retardant objects; away from combustible material. Failure to do so may cause a fire!</li> <li>• Never twist the mounting bolts of the equipment components, especially the bolt with the red mark!</li> </ul>
	 Note	<ul style="list-style-type: none"> <li>• Do not let the lead wires or screws fall into the driver. Otherwise this may cause damage to the driver!</li> <li>• Keep the driver installed in the place where less vibration, avoid direct sunlight.</li> <li>• When two or more converters are installed in a cabinet, please pay attention to the installation location, ensure the good heat dissipation effect.</li> </ul>
When wiring	 Danger	<ul style="list-style-type: none"> <li>• Must comply with this manual's guidance, any construction shall be performed by a professional electrician, otherwise there would be the unexpected risk!</li> <li>• A circuit breaker must be set between the inverter and the power supply to separate them, otherwise it may cause a fire!</li> <li>• Verify if power is a zero-energy status before wiring, otherwise there is a risk of electric shock!</li> <li>• The inverter shall be grounded correctly according to standard specifications; otherwise there is a danger of electrical shock!</li> <li>• Ensure that the distribution line meets the regional safety standards of EMC requirements. The diameter of</li> </ul>

		<p>used wire shall refer to the recommendations of this manual. Otherwise it may cause an accident!</p> <ul style="list-style-type: none"> <li>● Never directly connect braking resistor to the DC bus P(+) and P(-) terminals. Otherwise it may cause a fire!</li> <li>● Encoder must use the shielded wire, and the shielding layer must ensure the single-ended grounded!</li> </ul>
<b>Before energizing</b>	 Note	<ul style="list-style-type: none"> <li>● Please confirm whether the input power voltage is same as the inverter rated voltage; wiring positions of power input terminals(R, S, T) and output terminals(U, V, W) are correct or not; and note that if there is a short circuit in the peripheral circuit connected to driver, if the connected lines are tight, otherwise it may cause damage to the driver!</li> <li>● Do not need to perform withstand voltage test for any part of the inverter, this product has been tested before leaving factory. Otherwise it may cause an accident!</li> </ul>
	 Danger	<ul style="list-style-type: none"> <li>● The inverter's cover plate must close before power on. Otherwise it may cause an electric shock!</li> <li>● Wiring of all external accessories must comply with the guidance of this manual, please correctly wiring in accordance with the circuit connection methods described in this manual. Otherwise it may cause an accident!</li> </ul>
<b>After energizing</b>	 Danger	<ul style="list-style-type: none"> <li>● Do not open cover plate after energizing. Otherwise there is a risk of electric shock!</li> <li>● Do not touch the driver and peripheral circuits with wet hands. Otherwise there is a risk of electric shock!</li> <li>● Do not touch any input and output terminals of the inverter. Otherwise there is a risk of electric shock!</li> <li>● The inverter automatically perform the safety testing for the external strong electrical circuit in the early stages of energizing, therefore never touch the driver terminals(U, V, W) or motor terminals, otherwise there is a risk of electric shock!</li> <li>● If you need to identify the parameters, please pay attention to the danger of injury during motor rotation. Otherwise it may cause an accident!</li> <li>● Please do not change the inverter manufacturer parameters. Otherwise it may cause damage to this unit!</li> </ul>
<b>During operation</b>	 Danger	<ul style="list-style-type: none"> <li>● Do not touch the cooling fan and the discharge resistor to feel the temperature. Otherwise it may cause burns!</li> <li>● Non-professional personnel is not allowed to detect signal when operating. Doing so may cause personal injury or damage to this unit!</li> </ul>
	 Note	<ul style="list-style-type: none"> <li>● When the inverter is operating, you should avoid that objects fall into this unit. Otherwise cause damage to this unit!</li> </ul>

		<ul style="list-style-type: none"> <li>Do not start/stop the driver by switching on/off contactor. Otherwise cause damage to this unit!</li> </ul>
<p><b>When maintaining</b></p>	 Danger	<ul style="list-style-type: none"> <li>Do not perform repairs and maintenance for the live electrical equipment. Otherwise there is a risk of electric shock!</li> <li>The repairs and maintenance task can be performed only when the inverter voltage is lower than AC36V, generally that is two minutes after powering off. Otherwise, the residual charge from capacitor would cause personal injury!</li> <li>Non-well-trained professional personnel is not allowed to perform repairs and maintenance of inverter. Doing so may cause personal injury or damage to this unit!</li> <li>After replacing the inverter, parameter settings must be redone, all pluggable plugs can be operated only in the case of powering off!</li> </ul>

### 1-3.Precautions

N o.	Type	Explanation
1	Motor insulation inspection	Please perform motor insulation inspection for the first time use, re-use after leaving unused for a long time as well as regular check, in order to prevent damage to the inverter because of the motor's winding insulation failure. Wiring between motor and inverter shall be disconnected, it is recommended that the 500V voltage type megger should be adopted and insulation resistance shall be not less than 5MΩ.
2	Motor thermal protection	If the rated capacity of the selected motor does not match the inverter, especially when the inverter rated power is greater than the motor rated power, be sure to adjust the motor protection parameter values inside inverter or install thermal relay in the front of motor for motor protection.
3	Run over power	The inverter output frequency rang is 0Hz to 3200Hz(Maz.vector control only supports 300Hz). If the user is required to run at 50Hz or more, please consider the endurance of your mechanical devices.
4	Vibrations of mechanical	Inverter output frequency may be encountered mechanical resonance point of the load device, you can set jump frequency parameter inside inverter to avoid the case.
5	Motor heat and	The inverter output voltage is PWM wave that contains a certain amount of harmonics, so the temperature rise, noise and vibration of motor show a slight higher than frequency power frequency operation.



6	Output side with piezoresistor or capacitor for	The inverter output is PWM wave, if the piezoresistor for lightning protection or the capacitor for improving power factor is installed in the output side, which easily cause the inverter instantaneous over current or even cause damage to the inverter. Please do not use.
7	Contactor or switch used in the inverter input/output terminals	If contactor is installed between power supply and inverter, the contactor is not allowed to start/stop the inverter. Necessarily need to use the contactor to control the inverter start/stop, the interval should not be less than one hour. Frequent charging and discharging may reduce the service life of the inverter capacitor. If the contactor or
8	Use other than the rated voltage	PI series inverter is not suitable for use beyond the allowable operating voltage described in this manual, which easily cause damage to the parts inside inverter. If necessary, please use the corresponding transformer to change voltage.
9	Never change 3-phase input to 2-phase	Never change PI series 3-phase inverter to 2-phase one for application. Otherwise it will lead to malfunction or damage to the inverter.
10	Lightning surge protect	The series inverter is equipped with lightning over current protection device, so it has the ability of self-protection to lightning induction. For the area where lightning is frequent, user should also install the extra protection in the front of the inverter.
11	High altitude and derating application	When the inverter is used in areas over 1000m altitude, it is required to reduce frequency because the thin air will decrease the cooling effect of inverter. Please consult our technician for details on the application.
12	Special use	If the user need to use methods other than the suggested wiring diagram provided in this manual, such as common DC bus, please consult our technician.
13	Precautions for scrap disposal of the inverter	When electrolytic capacitors on the main circuit and printed circuit board as well as plastic parts are burned, it may produce toxic gases. Please disposing as industrial waste.

14	Adaptive motor	<p>1) Standard adaptive motor shall be four-pole asynchronous squirrel-cage induction motor or permanent magnet synchronous motor. Apart from the said motors, please select the inverter according to the motor rated current.</p> <p>2) The cooling fan and the rotor shaft for non-inverter motor are coaxially connected, the fan cooling effect is reduced when the rotational speed is reduced, therefore, when the motor works in overheating occasions, a strong exhaust fan should be retrofitted or replace non-inverter motor with the inverter motor;</p> <p>The inverter has built-in the adaptive motor standard parameters, according to the Actual situation, please identify motor parameters or accordingly modify the default values to try to meet the Actual value, otherwise it will operation affect and protection performance;</p> <p>4) When short-circuit of cable or motor internal will activate the inverter alarm, even bombing. Therefore, firstly perform insulation short-circuit test for the initial installation of the motor and cable, routine maintenance often also need to perform such test. Note that the parts to be tested and the inverter shall be disconnected completely when testing.</p>
15	Others	<p>1) Never connect the AC power to the inverter output terminals(U, V, W).</p> <p>2) Properly fix and lock the panel before powering on, so as to avoid hurting the personal safety due to internal poor capacitors.</p> <p>3) Never perform wiring, checking and other operations after power is turned on.</p> <p>4) Do not touch the internal circuit board and its components in order to avoid the risk of electric shock after this unit is powered,</p> <p>5) Do not touch internal circuit board and any parts after powering off and within five minutes after keyboard indicator lamp goes out, you must use the instrument to confirm that internal capacitor has been discharged fully, otherwise there is a danger of electric shock.</p> <p>6) Body static electricity will seriously damage the internal MOS field-effect transistors, etc., if there are not anti-static measures, do not touch the printed circuit board and IGBT internal device with hand, otherwise it may cause a malfunction.</p> <p>7)The ground terminal of the inverter(E or ) shall be earthed firmly according to the provisions of the National Electrical Safety and other relevant standards. Do not shut down(power off) by pulling switch, and only cut off the power until the motor stopping operation.</p> <p>8) It is required to add the optional input filter attachment so as to meet CE standards</p>

#### 1-4.Scope of applications

- ※ This inverter is suitable for three-phase AC asynchronous motor and permanent magnet synchronous motor.
- ※ This inverter can only be used in those occasions recognized by this company, an unapproved use may result in fire, electric shock, explosion and other accidents.
- ※ If the inverter is used in such equipments(e.g: equipments for lifting persons, aviation systems, safety equipment, etc.) and its malfunction may result in personal injury or even death. In this case, please consult the manufacturer for your application.

**Only the well-trained personnel can be allowed to operate this unit, please carefully read the instructions on safety, installation, operation and maintenance before use. The safe operation of this unit depends on proper transport, installation, operation and maintenance!**

## Chapter 2 Standard specifications

### 2-1. Technical specifications

Inverter model	Input voltage	Rated output power(kW)	Rated input current(A)	Rated output current(A)	Adaptive motor	Base No.	
PI9100-0R4G1	1-phase 220V ±10%	0.4	5.4	2.5	0.4	9S2	
PI9100-0R7G1		0.75	8.2	4	0.75	9S2	
PI9100-1R5G1		1.5	14	7	1.5	9S2	
PI9100-2R2G1		2.2	23	10	2.2	9S3	
PI9100-004G1		4.0	35	16	4.0	9S3	
PI9200-5R5G1		5.5	50	25	5.5	9L1	
PI9100-0R4G2	3-phase 220V ±10%	0.4	3.4	2.5	0.4	9S2	
PI9100-0R7G2		0.75	5	4	0.75	9S2	
PI9100-1R5G2		1.5	5.8	7	1.5	9S2	
PI9100-2R2G2		2.2	10.5	10	2.2	9S3	
PI9100-004G2		4.0	14.6	16	4.0	9S3	
PI9200-5R5G2		5.5	26	25	5.5	9L1	
PI9200-7R5G2		7.5	35	32	7.5	9L1	
PI9200-011G2		11	46.5	45	11	9L1	
PI9200-015G2		15.0	62	60	15.0	9L2	
PI9200-018G2		18.5	76	75	18.5	9L2	
PI9200-022G2		22.0	91	90	22.0	9L3	
PI9200-030G2		30.0	112.0	110	30.0	9L3	
PI9200-037G2		37.0	157	152	37.0	9L3	
PI9200-045G2		45.0	180	176	45.0	9L4	
PI9200-055G2		55.0	214	210	55.0	9L4	
PI9200-075G2		75	307	304	75	9L4	
PI9100-0R7G3		3-phase 380V	0.75	3.4	2.1	0.75	9S2
PI9100-1R5G3		±10%	1.5	5.0	3.8	1.5	9S2
PI9100-2R2G3	±10%	2.2	5.8	5.1	2.2	9S2	

Inverter model	Input voltage	Rated output power(kW)	Rated input current(A)	Rated output current(A)	Adaptive motor	Base No.
PI9100-004G3		4.0	10.5	9	4.0	9S3
PI9100-5R5G3		5.5	14.6	13	5.5	9S3
PI9100-7R5G3		7.5	20.5	17	7.5	9S4
PI9200-011G3/ PI9200-011F3/ PI9200-015F3		11/11/15	26/26/35	25/25/32	11/11/15	9L1/9L1/9L1
PI9200-015G3/ PI9200-018F3		15/18.5	35/38.5	32/37	15/18.5	9L1/9L1
PI9200-018G3/ PI9200-022F3		18.5/22	38.5/46.5	37/45	18.5/22	9L2/9L2
PI9200-022G3/ PI9200-030F3		22/30	46.5/62	45/60	22/30	9L2/9L2
PI9200-030G3/ PI9200-037F3		30/37	62/76	60/75	30/37	9L3/9L3
PI9200-037G3/ PI9200-045F3		37/45	76/91	75/93	37/45	9L3/9L3
PI9200-045G3/ PI9200-055F3		45/55	91/112	93/110	45/55	9L4/9L4
PI9400-045G3/ PI9400-055F3		45/55	91/112	93/110	45/55	9P4/9P4
PI9200-055G3/ PI9200-075F3		55/75	112/157	110/150	55/75	9L4/9L4
PI9400-055G3/ PI9400-075F3		55/75	112/157	110/150	55/75	9P4/9P4
PI9200-075G3/ PI9200-093F3		75/93	157/180	150/176	75/93	9L4/9L4
PI9400-075G3/ PI9400-093F3		75/93	157/180	150/176	75/93	9P5/9P5
PI9200-093G3/ PI9200-110F3		93/110	180/214	176/210	93/110	9L5/9L5
PI9400-093G3/ PI9400-110F3		93/110	180/214	176/210	93/110	9P5/9P5
PI9200-110G3/ PI9200-132F3		110/132	214/256	210/253	110/132	9L5/9L5
PI9400-110G3/ PI9400-132F3		110/132	214/256	210/253	110/132	9P6/9P6
PI9200-132G3/ PI9200-160F3		132/160	256/307	253/304	132/160	9L6/9L6
PI9400-132G3/ PI9400-160F3		132/160	256/307	253/304	132/160	9P6/9P6
PI9200-160G3/ PI9200-187F3	160/187	307/345	304/340	160/187	9L6/9L6	

Inverter model	Input voltage	Rated output power(kW)	Rated input current(A)	Rated output current(A)	Adaptive motor	Base No.
PI9400-160G3/ PI9400-187F3		160/187	307/345	304/340	160/187	9P6/9P6
PI9300-187G3/ PI9300-200F3		187/200	345/385	340/380	187/200	9C1/9C1
PI9300-187G3/ PI9300-200F3		187/200	345/385	340/380	187/200	9C2/9C2
PI9300-200G3/ PI9300-220F3		200/220	385/430	380/426	200/220	9C1/9C1
PI9300-200G3/ PI9300-220F3		200/220	385/430	380/426	200/220	9C2/9C2
PI9400-187G3/ PI9400-200F3		187/200	345/385	340/380	187/200	9P7/9P7
PI9400-200G3/ PI9400-220F3		200/220	385/430	380/426	200/220	9P7/9P7
PI9300-220G3/ PI9300-250F3		220/250	430/468	426/465	220/250	9C1/9C1
PI9300-220G3/ PI9300-250F3		220/250	430/468	426/465	220/250	9C2/9C2
PI9400-220G3/ PI9400-250F3		220/250	430/468	426/468	220/250	9P7/9P7
PI9300-250G3/ PI9300-280F3		250/280	468/525	465/520	250/280	9C3/9C3
PI9300-280G3/ PI9300-315F3		280/315	525/590	520/585	280/315	9C3/9C3
PI9300-315G3/ PI9300-355F3		315/355	590/665	585/650	315/355	9C3/9C3
PI9300-355G3/ PI9300-400F3		355/400	665/785	650/725	355/400	9C3/9C3
PI9100-0R7G4		3-phase 480V ±10%	0.75	3.4	2.1	0.75
PI9100-1R5G4	1.5		5.0	3.8	1.5	9S2
PI9100-2R2G4	2.2		5.8	5.1	2.2	9S2
PI9100-004G4	4.0		10.5	9	4.0	9S3
PI9100-5R5G4	5.5		14.6	13	5.5	9S3/9S3
PI9100-7R5G4	7.5		20.5	17	7.5	9S4/9S4
PI9200-011G4/ PI9200-011F4/ PI9200-015F4	11/11/15		26/26/35	25/25/32	11/11/15	9L1/9L1/9L1
PI9200-015G4/ PI9200-018F4	15/18.5		35/38.5	32/37	15/18.5	9L1/9L1
PI9200-018G4/ PI9200-022F4	18.5/22		38.5/46.5	37/45	18.5/22	9L2/9L2

Inverter model	Input voltage	Rated output power(kW)	Rated input current(A)	Rated output current(A)	Adaptive motor	Base No.
PI9200-022G4/ PI9200-030F4		22/30	46.5/62	45/60	22/30	9L2/9L2
PI9200-030G4/ PI9200-037F4		30/37	62/76	60/75	30/37	9L3/9L3
PI9200-037G4/ PI9200-045F4		37/45	76/91	75/93	37/45	9L3/9L3
PI9200-045G4/ PI9200-055F4		45/55	91/112	93/110	45/55	9L4/9L4
PI9400-045G4/ PI9400-055F4		45/55	91/112	93/110	45/55	9P4/9P4
PI9200-055G4/ PI9200-075F4		55/75	112/157	110/150	55/75	9L4/9L4
PI9400-055G4/ PI9400-075F4		55/75	112/157	110/150	55/75	9P4/9P4
PI9200-075G4/ PI9200-093F4		75/93	157/180	150/176	75/93	9L4/9L4
PI9400-075G4/ PI9400-093F4		75/93	157/180	150/176	75/93	9P5/9P5
PI9200-093G4/ PI9200-110F4		93/110	180/214	176/210	93/110	9L5/9L5
PI9400-093G4/ PI9400-110F4		93/110	180/214	176/210	93/110	9P5/9P5
PI9200-110G4/ PI9200-132F4		110/132	214/256	210/253	110/132	9L5/9L5
PI9400-110G4/ PI9400-132F4		110/132	214/256	210/253	110/132	9P6/9P6
PI9200-132G4/ PI9200-160F4		132/160	256/307	253/304	132/160	9L6/9L6
PI9400-132G4/ PI9400-160F4		132/160	256/307	253/304	132/160	9P6/9P6
PI9200-160G4/ PI9200-187F4		160/187	307/345	304/340	160/187	9L6/9L6
PI9400-160G4/ PI9400-187F4		160/187	307/345	304/340	160/187	9P6/9P6
PI9300-187G4/ PI9300-200F4		187/200	345/385	340/380	187/200	9C1/9C1
PI9300-187G4/ PI9300-200F4		187/200	345/385	340/380	187/200	9C2/9C2
PI9300-200G4/ PI9300-220F4		200/220	385/430	380/426	200/220	9C1/9C1
PI9300-200G4/ PI9300-220F4		200/220	385/430	380/426	200/220	9C2/9C2
PI9400-187G4/		187/200	345/385	340/380	187/200	9P7/9P7

Inverter model	Input voltage	Rated output power(kW)	Rated input current(A)	Rated output current(A)	Adaptive motor	Base No.
PI9400-200F4						
PI9400-200G4/ PI9400-220F4		200/220	385/430	380/426	200/220	9P7/9P7
PI9300-220G4/ PI9300-250F4		220/250	430/468	426/465	220/250	9C1/9C1
PI9300-220G4/ PI9300-250F4		220/250	430/468	426/465	220/250	9C2/9C2
PI9400-220G4/ PI9400-250F4		220/250	430/468	426/465	220/250	9P7/9P7
PI9300-250G4/ PI9300-280F4		250/280	468/525	465/520	250/280	9C3/9C3
PI9300-280G4/ PI9300-315F4		280/315	525/590	520/585	280/315	9C3/9C3
PI9300-315G4/ PI9300-355F4		315/355	590/665	585/650	315/355	9C3/9C3
PI9300-355G4/ PI9300-400F4		355/400	665/785	650/725	355/400	9C3/9C3
PI9200-055G6/ PI9200-075F6		3-phase 690V ±10%	55/75	70/93	62/85	55/75
PI9400-055G6/ PI9400-075F6	55/75		70/93	62/85	55/75	9P4/9P4
PI9200-075G6/ PI9200-093F6	75/93		93/105	85/102	75/93	9L4/9L4
PI9400-075G6/ PI9400-093F6	75/93		93/105	85/102	75/93	9P5/9P5
PI9200-093G6/ PI9200-110F6	93/110		105/130	102/125	93/110	9L5/9L5
PI9400-093G6/ PI9400-110F6	93/110		105/130	102/125	93/110	9P5/9P5
PI9200-110G6/ PI9200-132F6	110/132		130/170	125/150	110/132	9L5/9L5
PI9400-110G6/ PI9400-132F6	110/132		130/170	125/150	110/132	9P6/9P6
PI9200-132G6/ PI9200-160F6	132/160		170/200	150/175	132/160	9L6/9L6
PI9400-132G6/ PI9400-160F6	132/160		170/200	150/175	132/160	9P6/9P6
PI9200-160G6/ PI9200-187F6	160/187		200/210	175/198	160/187	9L6/9L6
PI9400-160G6/ PI9400-187F6	160/187		200/210	175/198	160/187	9P6/9P6
PI9300-187G6/ PI9300-200F6	187/200		210/235	198/215	187/200	9C2/9C2



Inverter model	Input voltage	Rated output power(kW)	Rated input current(A)	Rated output current(A)	Adaptive motor	Base No.
PI9300-187G6/ PI9300-200F6		187/200	210/235	198/215	187/200	9C1/9C1
PI9400-187G6/ PI9400-200F6		187/200	210/235	198/215	187/200	9P7/9P7
PI9300-200G6/ PI9300-220F6		200/220	235/247	215/245	200/220	9C2/9C2
PI9300-200G6/ PI9300-220F6		200/220	235/247	215/245	200/220	9C1/9C1
PI9400-200G6/ PI9400-220F6		200/220	235/247	215/245	200/220	9P7/9P7
PI9300-220G6/ PI9300-250F6		220/250	247/265	245/260	220/250	9C2/9C2
PI9300-220G6/ PI9300-250F6		220/250	247/265	245/260	220/250	9C1/9C1
PI9400-220G6/ PI9400-250F6		220/250	247/265	245/260	220/250	9P7/9P7
PI9300-250G6/ PI9300-280F6		250/280	265/305	260/299	250/280	9C3/9C3
PI9300-280G6/ PI9300-315F6		280/315	305/350	299/330	280/315	9C3/9C3
PI9300-315G6/ PI9300-355F6		315/355	350/382	330/374	315/355	9C3/9C3
PI9300-355G6/ PI9300-400F6		355/400	382/435	374/410	355/400	9C3/9C3
PI9300-400G6/ PI9300-450F6		400/450	435/490	410/465	400/450	9C3/9C3
PI9300-450G6/ PI9300-500F6		450/500	490/595	465/550	450/500	9C3/9C3
PI9300-500G6		500	595	550	500	9C3
PI9300-550G6		550	605	590	550	9C3

※Remarks: PI9100G3 distinguish between A and B two series, A is single IGBT, B is integrated intelligent power modules, the specification of both parameters are the same.

※Remarks:9300 9C1and 9C2 has the same power range, with the following differences:

- ① Main power cable layout is different,9C1 is to power in from upside and output from the underside,9C2 is to power in from the left side and output from the right side
- ② 9C1's bottom fix base is removable
- ③ Construction and dimension is different

## 2-2. Standard specifications

Items		Specifications
Power	Voltage and frequency levels	Single-phase 220V, 50/60Hz      Three-phase 220V, 50/60Hz Three-phase 380V, 50/60Hz      Three-phase 480V, 50/60Hz Three-phase 690V, 50/60Hz
	Allowable fluctuation	Voltage:±10%      Frequency:±5%
Control system	Control system	High performance vector control inverter based on DSP
	Control method	V/F control, vector control W/O PG, vector control W/ PG
	Automatic torque boost	Realize low frequency (1Hz) and large output torque control under the V/F control mode.
	Acceleration/deceleration control	Straight or S-curve mode. Four times available and time range is 0.0 to 6500.0s.
	V/F curve mode	Linear, square root/m-th power, custom V/F curve
	Over load capability	G type:rated current 150% - 1 minute, rated current 180% - 2 seconds
		F type:rated current 120% - 1 minute, rated current 150% - 2 seconds
	Maximum frequency	Vector control:0 to 300Hz V/F control:0 to 3200Hz
	Carrier Frequency	0.5 to 16kHz; automatically adjust carrier frequency according to the load characteristics.
	Input frequency	Digital setting: 0.01Hz Analog setting: maximum frequency×0.025%
	Start torque	G type: 0.5Hz/150% (vector control W/O PG) F type: 0.5Hz/100% (vector control W/O PG)
	Speed range	1:100 (vector control W/O PG) 1:1000 (vector control W/ PG)
	Steady-speed precision	Vector control W/O PG: $\leq \pm 0.5\%$ (rated synchronous speed)
		Vector control W/ PG: $\leq \pm 0.02\%$ (rated synchronous speed)
Torque response	$\leq 40\text{ms}$ (vector control W/O PG)	
Torque boost	Automatic torque boost; manual torque boost(0.1% to	
DC braking	DC braking frequency: 0.0Hz to max. frequency, braking time: 0.0 to 100.0 seconds, braking current value: 0.0% to 100.0%	

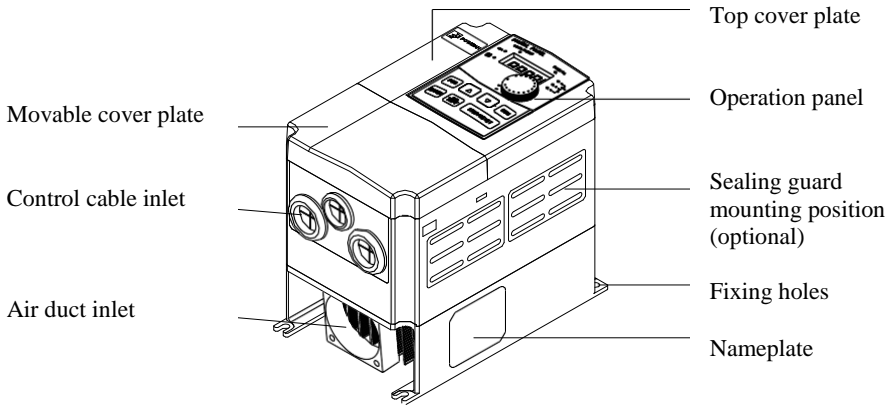
Items		Specifications	
	Jogging control	Jog Frequency Range: 0.00Hz to max. frequency; Jog Ac/deceleration time: 0.0s to 6500.0s	
	Multi-speed operation	Achieve up to 16-speed operation through the control	
	Built-in PID	Easy to realize closed-loop control system for the process control.	
	Automatic voltage regulation(AVR)	Automatically maintain a constant output voltage when the voltage of electricity grid changes	
	Torque limit and control	"Excavator" feature - torque is automatically limited during the operation to prevent frequent overcurrent trip; the closed-loop vector mode is used to control torque.	
Personalization function	Self-inspection of peripherals after power-on	After powering on, peripheral equipment will perform safety testing, such as ground, short circuit, etc.	
	Common DC bus function	Multiple inverters can use a common DC bus.	
	Cycle-by-cycle current limiting	The current limiting algorithm is used to reduce the inverter overcurrent probability, and improve whole unit anti-interference capability.	
	Timing control	Timing control function: time setting range(0m to 6500m)	
Running	Input signal	Running method	Keyboard/terminal/communication
		Frequency setting	10 frequency settings available, including adjustable DC(0 to 10V), adjustable DC(0 to 20mA), panel potentiometer, etc.
		Start signal	Rotate forward/reverse
		Multi-speed	At most 16-speed can be set(run by using the multi-function terminals or program)
		Emergency stop	Interrupt controller output
		Wobulate run	Process control run
		Fault reset	When the protection function is active, you can automatically or manually reset the fault condition.
		PID feedback signal	Including DC(0 to 10V), DC(0 to 20mA)
	Output signal	Running status	Motor status display, stop, ac/deceleration, constant speed, program running status.
		Fault output	Contact capacity - AC 250V 5A, DC 30V 5A

Items		Specifications	
	Analog output	Two-way analog output, 16 signals can be selected such as frequency, current, voltage and other, output signal range (0 to 10V / 0 to 20mA).	
	Output signal	At most 3-way output, there are 40 signals each way	
	Run function	Limit frequency, jump frequency, frequency compensation, auto-tuning, PID control	
	DC current braking	Built-in PID regulates braking current to ensure sufficient braking torque under no overcurrent condition.	
	Running command channel	Three channels: operation panel, control terminals and serial communication port. They can be switched through a variety of ways.	
	Frequency source	Total 5 frequency sources: digital, analog voltage, analog current, multi-speed and serial port. They can be switched through a variety of ways.	
	Input terminals	6 digital input terminals, compatible with active PNP or NPN input mode, one of them can be for high-speed pulse input(0 to 100KHZ square wave); 2 analog input terminals for voltage or current input.	
	Output terminals	2 digital output terminals, one of them can be for high-speed pulse output(0 to 100KHZ square wave); one relay output terminal; 2 analog output terminals respectively for optional range (0 to 20mA or 0 to 10V), they can be used to set frequency, output frequency, speed and other physical parameters.	
	Protection function	Inverter protection	Overvoltage protection, undervoltage protection, overcurrent protection, overload protection, overheat protection, overcurrent stall protection, overvoltage stall protection, losing-phase protection (optional), communication error, PID feedback signal abnormalities, PG failure and short circuit to ground protection.
		IGBT temperature display	Displays current temperature IGBT
Inverter fan control		Can be set	
Instantaneous power-down restart		Less than 15 milliseconds: continuous operation. More than 15 milliseconds: automatic detection of motor speed, instantaneous power-down restart.	
Speed start tracking method		The inverter automatically tracks motor speed after it starts	
Parameter protection		Protect inverter parameters by setting administrator	

Items		Specifications
	function	Password and decoding
Display	LED/OL ED display	Running information Monitoring objects including: running frequency, set frequency, bus voltage, output voltage, output current, output power, output torque, input terminal status, output terminal status, analog AI1 value, analog AI2 value, motor Actual running speed, PID set value percentage, PID feedback value percentage.
	keyboard	Error message At most save three error message, and the time, type, voltage, current, frequency and work status can be queried when the failure is occurred.
	LED display	Display parameters
	OLED display	Optional, prompts operation content in Chinese/English text.
	Copy parameter	Quickly copy parameters by using the special keyboard( only for OLED)
	Key lock and function selection	Lock part or all of keys, define the function scope of some keys to prevent misuse.
	Communication	RS485/RS232
Environment		
Environment	Environment temperature	-10 °C to 40 °C (temperature at 40 °C to 50 °C, please derating for use)
	Storage temperature	-20 °C to 65 °C
	Environment humidity	Less than 90% R.H, does not exceed 90% R.H
	Height and vibration	Below 1000m, below 5.9m/s <sup>2</sup> (= 0.6g)
	Application sites	Indoor where no sunlight or corrosive, explosive gas and water vapor, dust, flammable gas, oil mist, water vapor, drip or salt, etc.
	Altitude	Below 1000m
	Pollution degree	2
Product standard	Product adopts safety standards.	IEC61800-5-1:2007
	Product adopts EMC standards.	IEC61800-3:2005
	Cooling method	Forced air cooling and natural air cooling

## 2-3.Dimensions

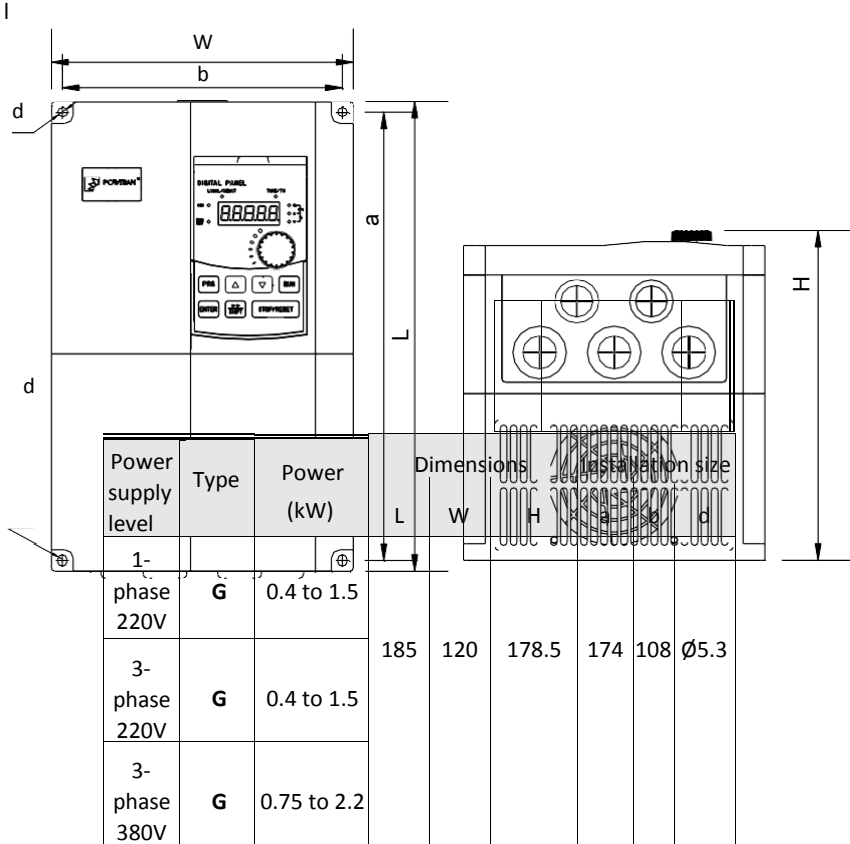
### 2-3-1. Appearance and installation holes size



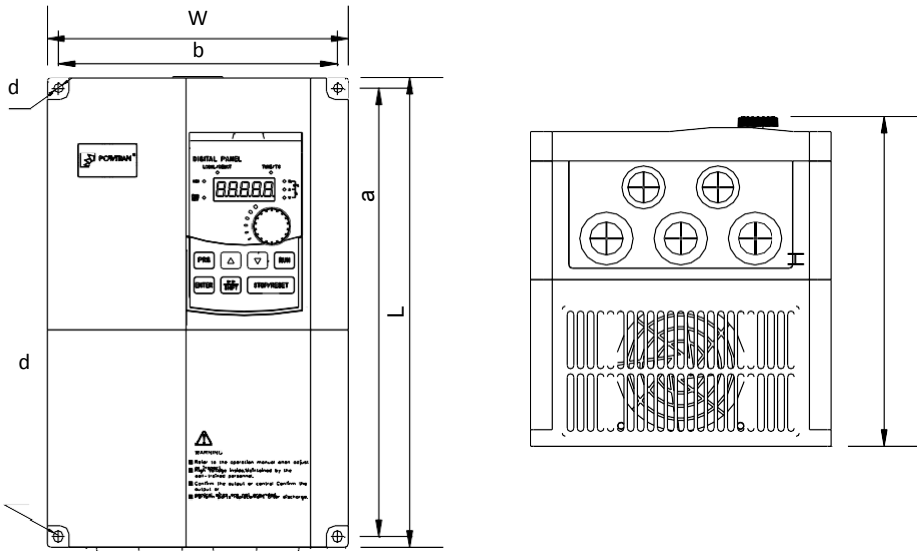
### 2-3-2.PI9100 series

1. 9S2 to 9S4

1) 9S2



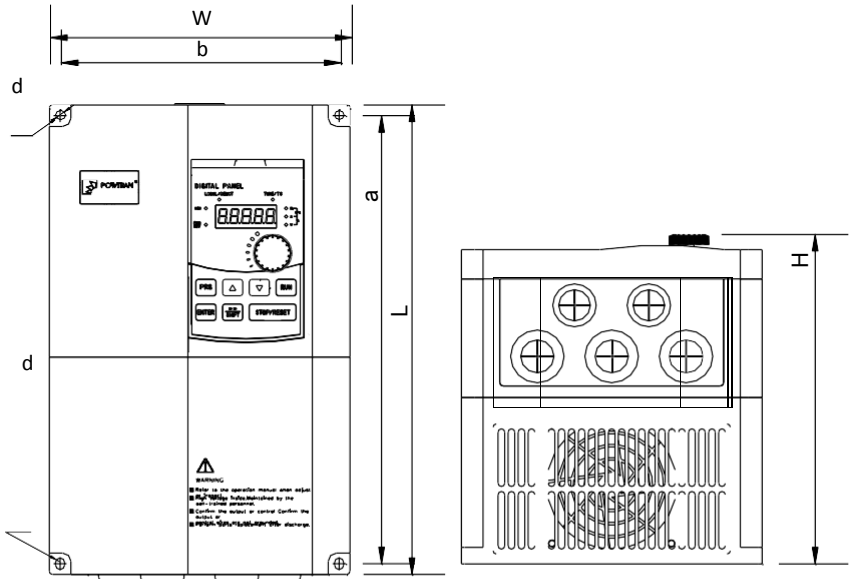
2) 9S3



Power supply level	Type	Power (kW)	Dimensions			Installation size		
			L	W	H	a	b	d
1-phase	<b>G</b>	2.2 to 4.0	220	150	185.5	209	138	Ø5.3
3-phase	<b>G</b>	2.2 to 4.0						
3-phase	<b>F</b>	5.5						
	<b>G</b>	4.0 to 5.5						



3) 9S4

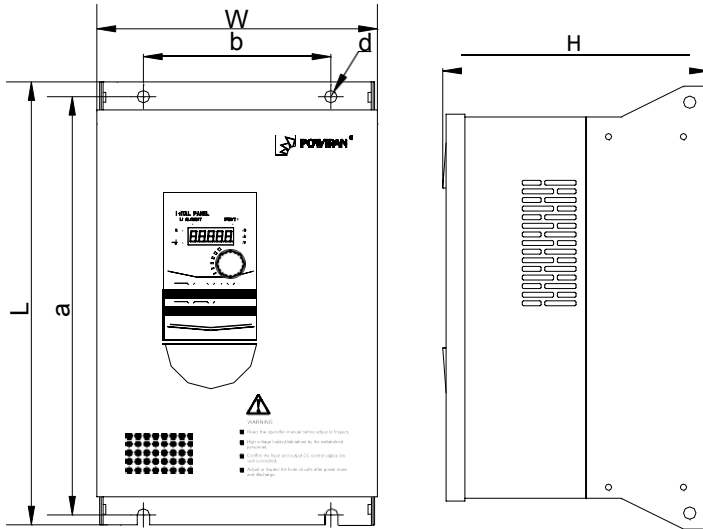


Power supply level	Type	Power (kW)	Dimensions			Installation size		
			L	W	H	a	b	d
3-phase	F	7.5	285	180	200	272	167	Ø5.5
	G	7.5						

380V

### 2-3-3.PI9200 series

#### 2. 9L1 to 9L6



#### 1) 9L1

Power supply level	Type	Power (kW)	Base No.	Dimensions			Installation size		
				L	W	H	a	b	d
1-phase	G	5.5	9L1	360	220	210	340	150	Ø10
3-phase	F	11 to 18.5							
	G	11 to 15							

#### 2) 9L2

Power supply level	Type	Power (kW)	Base No.	Dimensions			Installation size		
				L	W	H	a	b	d
3-phase	F	22 to 30	9L2	435	225	242	415	165	Ø10
	G	18.5 to 22							



3) 9L3

Power supply level	Type	Power (kW)	Base No.	Dimensions			Installation size		
				L	W	H	a	b	d
3-phase	<b>F</b>	37 to 45	9L3	480	296	246	460	200	Ø10
	<b>G</b>	30 to 37							

4) 9L4

Power supply level	Type	Power (kW)	Base No.	Dimensions			Installation size		
				L	W	H	a	b	d
3-phase	<b>F</b>	55 to 93	9L4	660	364	280	640	250	Ø10
	<b>G</b>	45 to 75							

5) 9L5

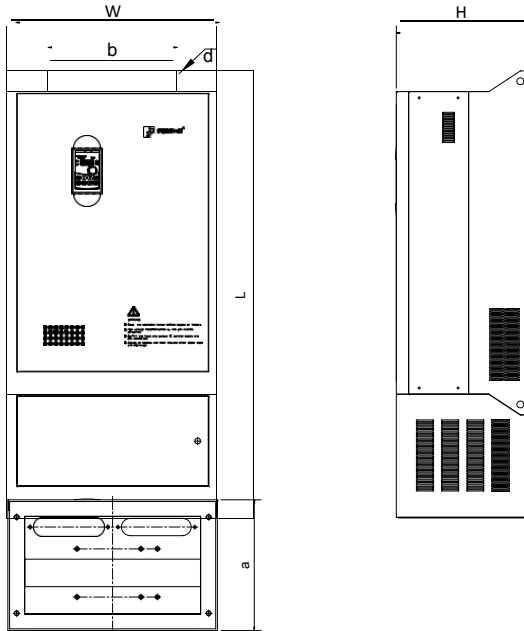
Power supply level	Type	Power (kW)	Base No.	Dimensions			Installation size		
				L	W	H	a	b	d
3-phase	<b>F</b>	110 to 132	9L5	710	453	280	690	350	Ø10
	<b>G</b>	93 to 110							

6) 9L6

Power supply level	Type	Power (kW)	Base No.	Dimensions			Installation size		
				L	W	H	a	b	d
3-phase	<b>F</b>	160 to 187	9L6	910	480	323	890	350	Ø10
	<b>G</b>	132 to 160							

## 2-3-4.PI9300 series

### 3. 9C1 to 9C3



#### 1) 9C1

Power supply level	Type	Power (kW)	Base No.	Dimensions			Installation size		
				L	W	H	a	b	d
3-phase	F	200 to 250	9C1	1300	600	380	550	280	Ø13
	G	187 to 220							

#### 2) 9C2

Power supply level	Type	Power (kW)	Base No.	Dimensions			Installation size		
				L	W	H	a	b	d
3-phase	F	200 to 250	9C2	1540	515	421	464.5	367	Ø13
	G	187 to 220							

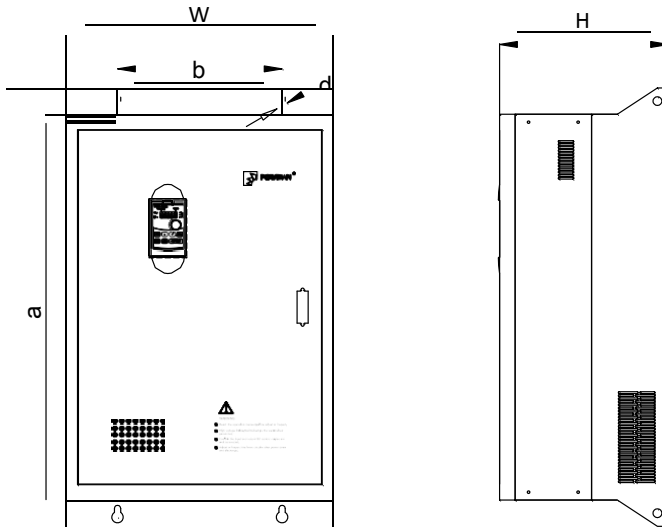


3) 9C3

Power supply level	Type	Power (kW)	Base No.	Dimensions			Installation size		
				L	W	H	a	b	d
3-phase	F	280 to 400	9C3	1698	851	470	640	260	Ø13
	G	250 to 355							

2-3-5.PI9400 series

4. 9P4 to 9P7



1) 9P4

Power supply level	Type	Power (kW)	Base No.	Dimensions			Installation size		
				L	W	H	a	b	d
3-phase	F	55 to 75	9P4	620	360	300	600	250	Ø10
	G	45 to 55							

2) 9P5

Power supply level	Type	Power (kW)	Base No.	Dimensions			Installation size		
				L	W	H	a	b	d
3-phase	F	93 to 110	9P5	680	323	320	660	250	Ø10
	G	75 to 93							



3) 9P6

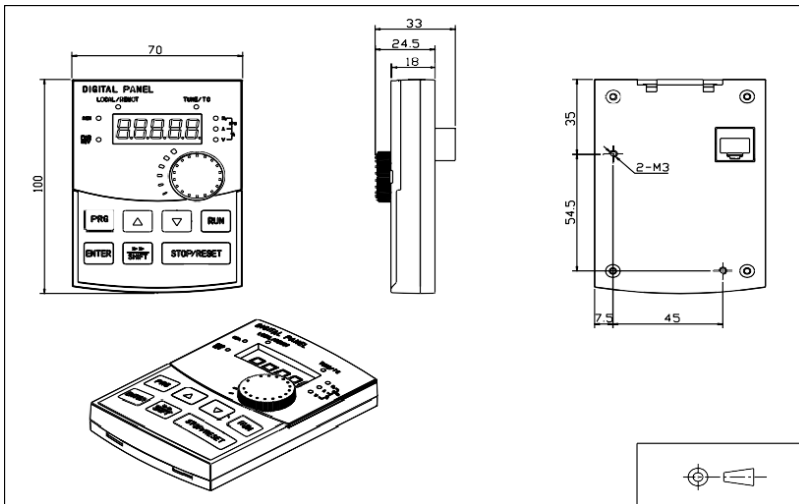
Power supply level	Type	Power (kW)	Base No.	Dimensions			Installation size		
				L	W	H	a	b	d
3-phase	F	132 to 187	9P6	750	472	324	730	350	Ø10
	G	110 to 160							

4) 9P7

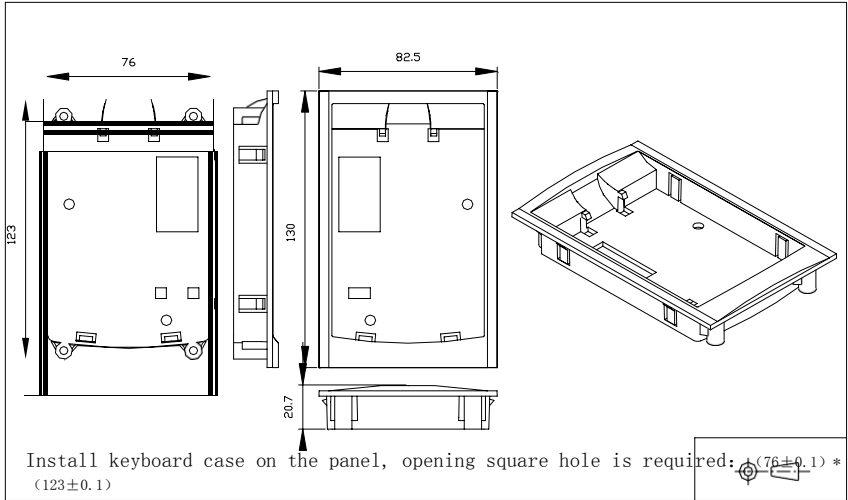
Power supply level	Type	Power (kW)	Base No.	Dimensions			Installation size		
				L	W	H	a	b	d
3-phase	F	200 to 250	9P7	1000	600	383	938	370	Ø14
	G	187 to 220							

2-3-6.Keyboard size diagram

JP6E9100 size diagram:



JP6E9100 keyboard case size diagram



## Chapter 3 Keyboard

### 3-1.Keyboard description









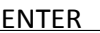

JP6E9100 keyboard control panel  
Figure 3-1 Operation panel display

### 3-2.Keyboard Indicators

Indicator flag		Name
Status lamp	RUN	Running indicator * ON: means that inverter is in the operating status. * OFF :means that inverter is in the stopped status.
	LOCAL/RE MOT	Command source indicator That is the indicator for keyboard operation, terminal operation and remote operation (communication control) * ON: terminal operation control status * OFF: keyboard operation control status
	FWD/REV	Forward/reverse running lamp * ON: in forward status
	TUNE/TC	Tuning/fault indicator * ON: in torque control mode * Slow flashing: in the tuning status * Quick flashing: in the fault status
Unit		Units indicator



### 3-3. Description of operation panel keys

Sign	Name	Function
	Parameter Setting/Exit Key	<ul style="list-style-type: none"> <li>* Enter top menu parameter change status</li> <li>* Exit from function option change</li> <li>* Return to status display menu from sub-menu or function option menu</li> </ul>
	Shift Key	<ul style="list-style-type: none"> <li>* Select circularly parameters under run or stop interface; select parameters when modifying the parameters.</li> </ul>
	Ascending Key	<ul style="list-style-type: none"> <li>* Data or function code ascending</li> </ul>
	Decending Key	<ul style="list-style-type: none"> <li>* Data or function code decending</li> </ul>
	Run Key	Used for running operation in the keyboard mode.
	Stop/Reset Key	<ul style="list-style-type: none"> <li>* Press the key to stop running in running status; press the key to reset in fault alarm status, can be used to reset the operation, the key is subject to function code F6.00.</li> </ul>
	Enter Key	<ul style="list-style-type: none"> <li>* Enter into levels of menu screen, confirm settings.</li> </ul>
	Keyboard potentiomete r	<ul style="list-style-type: none"> <li>* F0.03 is set to 4, keyboard potentiometer is used to set the running frequency.</li> </ul>

### 3-4. Examples of parameter settings

#### 3-4-1. Instructions on viewing and modifying function code

PI9000 inverter operation panel has three levels of menu structure for parameter settings and other operations. Three levels of menu is as follows: function parameter group (first level menu) → function code (second level menu) → function code settings (third level menu). The operation flow is as shown in Fig.



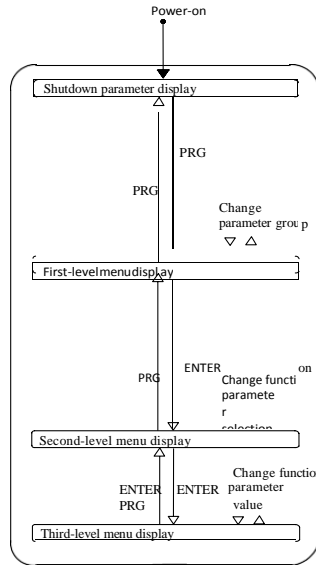
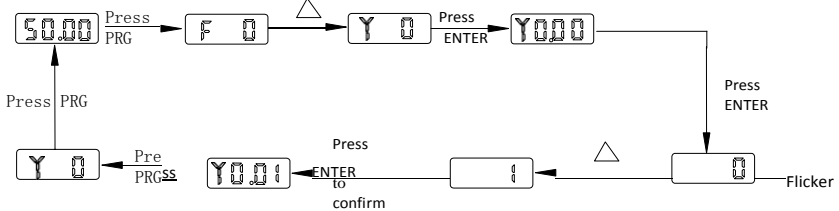


Figure 3-2 Display status and operation processes

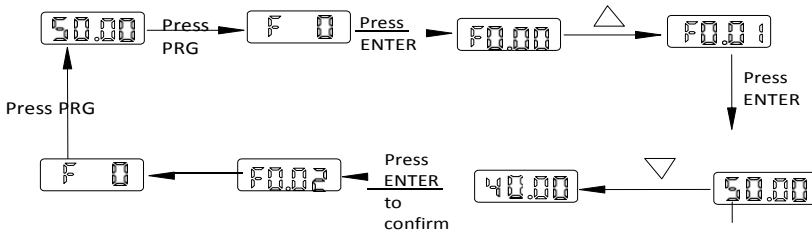
Description: return to the second-level menu from the third-level menu by pressing PRG key or ENTER key. The difference between the two keys : press ENTER to return the second-level menu and save parameters setting before returning, and automatically transfer to the next function code; press PRG to return directly to the second-level menu, do not save parameters setting, and return to current function code .

Example 1 :restore factory settings



Example 2 :change F0.01 from 50.00Hz to 40.00Hz


In the third-level menu status, if the parameter has not blinking bit, it means that the function code can not be modified, the possible causes include:



1) The function code can not be used to modify the parameters. Such as Actual detection parameters, run record parameters.

2) The function code can not be modified in the running status, can be modified only after this unit is stopped.

### 3-4-2. How to view status parameters

In stop or run status, operate shift key  to display a variety of status parameters respectively. Parameter display selection depends on function code F6.01 (run parameter 1), F6.02 (run parameter 2) and F6.03 (stop parameter 3).

In stop status, there are total 16 stop status parameters that can be set to display/not display: set frequency, bus voltage, DI input status, DO output status, analog input AI1 voltage, analog input AI2 voltage, panel potentiometer input voltage, Actual count value, Actual length value, PLC running step number, Actual speed display, PID settings, high- speed pulse input frequency and reserve, switch and display the selected parameter by pressing key orderly.

In run status, there are 5 run status parameters: running frequency, set frequency, bus voltage, output voltage, output current default display, and other display parameters: output power, output torque, DI input status, DO output status, analog input AI1 voltage, analog input AI2 voltage, panel potentiometer input voltage, Actual count value, Actual length value, linear speed, PID settings and PID feedback, etc, their display depends on function code F6.01 and F6.02 switch and display the selected parameter by pressing key orderly.

Inverter powers off and then powers on again, the displayed parameters are the selected parameters before power-off.

### 3-4-3. Password settings

The inverter has password protection, when y0.01 is non-zero value, that is user password, password protection will enter into force when you exit from function code editing status, press the PRG key again, it will display "----", you must enter correct user password before entering regular menus, otherwise inaccessible.

To cancel the password protection function, firstly enter correct password to access and then set y0.01 to 0.

### 3-4-4. Motor parameter auto tuning

Select the operating mode of vector control, you must accurately input parameters of the motor's nameplate before inverter operation, PI9000 frequency inverter will match the standard motor parameters according to the nameplate parameters; the vector control method is highly dependent on motor parameters, in order to get good control performance, the accurate parameters of the controlled motor must be required

Motor parameter auto tuning steps are as follows:

Firstly select command source (F0.11=0) as the command channel for operation panel, then input the following parameters according to the Actual motor parameters (selection is based on the current motor):



Motor Selection	Parameters
Motor	b0.00: motor type selection b0.01: motor rated power
	b0.02: motor rated voltage b0.03: motor rated current b0.04: motor rated frequency b0.05: motor rated speed

For asynchronous motors

If the motor can completely disengage its load, please select 2 (asynchronous motor parameter comprehensive auto tuning) for b0.27, and then press the RUN key on the keyboard panel, the inverter will automatically calculate the motor's following parameters:

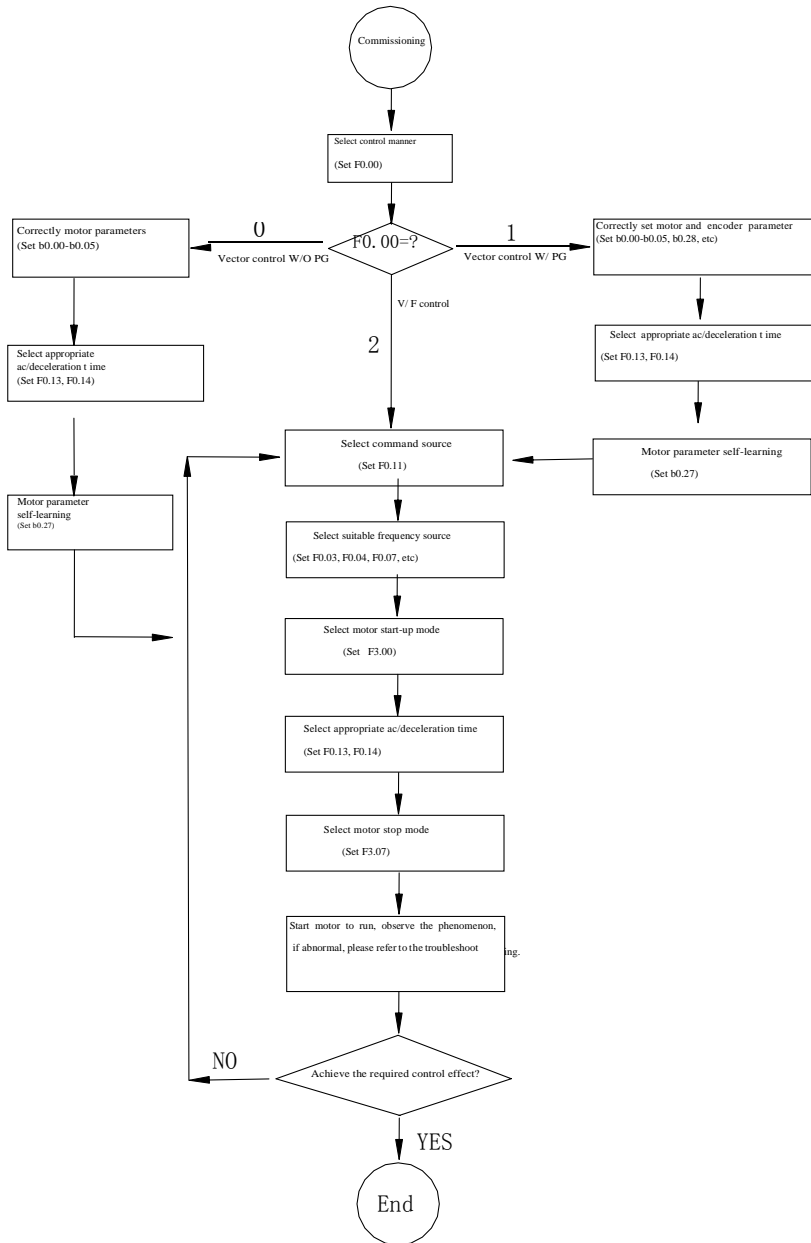
Motor Selection	Parameters
Motor	b0.06: asynchronous motor stator resistance b0.07: asynchronous motor rotor resistance b0.08: asynchronous motor leakage inductance b0.09: asynchronous motor mutUal inductance b0.10: asynchronous

Complete motor parameter auto tuning

If the motor can NOT completely disengage its load, please select 1 (asynchronous motor parameter static auto tuning) for b0.27, and then press the RUN key on the keyboard pane



# Chapter 4 Commissioning



- **Firstly confirm that AC input power supply voltage shall be within inverter rated input voltage range before connecting power supply to the inverter.**
- **Connect power supply to the R, S and T terminals of the inverter.**
- **Select the appropriate operation control method.**



# Chapter 5 Function parameter

## 5-1.Menu grouping

Note:

“★”: In run status, the set value of the parameter can not be changed; “●”: The actual measured value can not be changed;

“☆”: In stop and run statuses, both can be changed;

“▲”: "Factory parameters" , prohibit the user to operate;

“.” Indicates that the default factory value of the parameter is related to power or model, please see the corresponding parameter description. for the specific value

Change limit refers to whether the parameters are adjustable.

y0.01 is used to set parameters protection password, you can enter into parameter menu only after inputting correct password under function parameters mode and user modified parameters mode password protection is canceled when y0.01 is set to 0.

Parameter menu is not protected by password under user customized parameters mode.

F group is the basic function parameters group is to enhance function parameters, b group is a function of motor parameters, d group is the monitoring function parameters.

Code	Parameter name	Functional Description	Reference page
d0	Monitoring function group	Monitoring frequency, current, etc	42
F0	Basic function group	Frequency setting, control mode, acceleration and deceleration time	45
F1	Input terminals group	Analog and digital input functions	48
F2	Output terminals group	Analog and digital output functions	52
F3	Start and stop control group	Start and stop control parameters	54
F4	V/F control parameters	V/F control parameters	55
F5	Vector control parameters	Vector control parameters	56

Code	Parameter name	Functional Description	Reference page
F6	Keyboard and display	To set key and display function parameters	58
F7	Auxiliary function group	To set Jog, jump frequency and other auxiliary function parameters	59
F8	Fault and protectio	To set fault and protection parameters	63
F9	Communication parameter	To set MODBUS communication function	68
FA	Torque control parameters	To set parameters under torque control mode	69
FB	Control optimization parameters	To set parameters of optimizing the control performance	70
E0	Wobble, fixed-length and counting	To set Wobble, fixed-length and counting function parameters	71
E1	Multi-stage command, simple PLC	Multi-speed setting, PLC operation	72
E2	PID function group	To set Built-in PID parameters	76
E3	Virtual DI, Virtual DO	Virtual I/O parameter setting	78
b0	Motor parameters	To set motor parameter	81
y0	Function code management	To set password, parameter initialization and parameter group display	83
y1	Fault query	Fault message query	85

### 5-1-1.d0 Group - Monitoring function group





No.	Code	Parameter name	Setting range	Factory setting	Reference page
0.	d0.00	Running frequency	Actual out put frequency	0.01Hz	89
1.	d0.01	Set frequency	Actual set frequency	0.01Hz	89
2.	d0.02	DC bus voltage	Detected value for DC bus voltage	0.1V	89
3.	d0.03	Inverter output voltage	Actual output voltage	V	89
4.	d0.04	Inverter output current	Effective value for Actual motor current	0.01A	89
5.	d0.05	Motor output	Calculated value for motor output power	0.1kW	89
6.	d0.06	Motor output torque	Motor output torque percentage	0.1%	89
7.	d0.07	DI input status	DI input status	-	89
8.	d0.08	DO output status	DO output status	-	89
9.	d0.09	AI1 voltage (V)	AI1 input voltage value	0.01V	90
10.	d0.10	AI2 voltage (V)	AI2 input voltage value	0.01V	90
11.	d0.11	Panel potentiometer voltage	Panel potentiometer voltage	0.01V	90
12.	d0.12	Count value	Actual pulse count value in counting function	-	90
13.	d0.13	Length value	Actual length in fixed length function	-	90
14.	d0.14	Actual operating speed	Motor actual running speed	-	90
15.	d0.15	PID setting	Reference value percentage when PID runs	%	90
16.	d0.16	PID feedback	Feedback value percentage when PID runs	%	90
17.	d0.17	PLC stage	Stage display when PLC runs	-	90
18.	d0.18	High-speed pulse input frequency	High-speed pulse input frequency display, unit: 0.01Khz	0.01kHz	90

No.	Code	Parameter name	Setting range	Factory setting	Reference page
19.	d0.19	Feedback speed(unit:0.1Hz)	PG feedback speed, to an accuracy of 0.1hz	0.1Hz	90
20.	d0.20	Remaining run time	Remaining run time display, it is for timing run control	0.1Min	91
21.	d0.21	Linear speed	Linear speed calculated from angular speed and diameter is used for controlling constant tension and constant linear	1m/Min	91
22.	d0.22	Current power-on time	Total time of current inverter power-on	Min	91
23.	d0.23	Current run time	Total time of current inverter run	0.1Min	91
24.	d0.24	High-speed pulse input frequency	High-speed pulse input frequency display, unit: 1Hz	1Hz	91
25.	d0.25	Communication set value	Frequency, torque or other command values set by communication port	0.01%	91
26.	d0.26	Encoder feedback speed	PG feedback speed, to an accuracy of 0.01Hz	0.01Hz	91
27.	d0.27	Master frequency display	Frequency set by F0.03 master frequency setting source	0.01Hz	91
28.	d0.28	Auxiliary frequency display	Frequency set by F0.04 auxiliary frequency setting source	0.01Hz	91
29.	d0.29	Command torque (%)	Observe the set command torque under the torque control mode	0.1%	91
30.	d0.30	Reserve			
31.	d0.31	Synchro rotor position	Synchro rotor position angle	0.0°	91
32.	d0.32	Resolver position	Rotor position when rotary transformer is used as a speed feedback	-	91

No.	Code	Parameter name	Setting range	Factory setting	Reference page
33.	d0.33	ABZ position	Position information calculated from when ABZ incremental feedback encoder is adopted	0	91
34.	d0.34	Z signal counter	Encoder Z-phase signal count	-	91
35.	d0.35	Inverter status	Display run, standby and other statuses	-	91
36.	d0.36	Inverter type	1.G type (constant torque load type) 2.F type (fans/pumps load type)	-	92
37.	d0.37	AI1 voltage before correction	Input voltage value before AI1 linear correction	0.01V	92
38.	d0.38	AI2 voltage before correction	Input voltage value before AI2 linear correction	0.01V	92
39.	d0.39	Panel potentiometer voltage before correction	Panel potentiometer voltage before linear correction	0.01V	92

### 5-1-2.F0 Group - Basic function group

No.	Code	Parameter name	Setting range	Factory setting	Change	Reference page
40.	F0.00	Motor control manner	0.Vector control W/O PG 1.Vector control W/ PG 2.V/F control	2	★	92
41.	F0.01	Keyboard set frequency	0.00Hz to F0.19 (maximum frequency)	50.00Hz	☆	92

No.	Code	Parameter name	Setting range	Factory setting	Change	Reference page
42.	F0.02	Frequency command resolution	1: 0.1Hz 2: 0.01Hz	2	★	92
43.	F0.03	Frequency source master setting	0 to 9	0	★	92
44.	F0.04	Frequency source auxiliary setting	0 to 9	0	★	94
45.	F0.05	Reference object selection for frequency source auxiliary setting	0. relative to maximum frequency 1. relative to master frequency source A	0	☆	95
46.	F0.06	Frequency source auxiliary setting range	0% to 150%	100%	☆	95
47.	F0.07	Frequency source superimposed selection	Units digit: frequency source selection Tens digit: arithmetic relationship of master and auxiliary for frequency source	00	☆	95
48.	F0.08	Frequency source offset frequency when superimposing	0.00Hz to F0.19(maximum frequency)	0.00Hz	☆	96
49.	F0.09	Shutdown memory selection for digital set frequency	0: W/O memory 1: W/ memory	1	☆	97

No.	Code	Parameter name	Setting range	Factory setting	Change	Reference page
50.	F0.10	Frequency command UP / DOWN reference when running	0: Running frequency 1: Set frequency	0	★	97
51.	F0.11	Command source selection	0.Keyboard control (LED off) 1.Terminal block control (LED on) 2.Communications command control (LED	0	☆	97
52.	F0.12	Binding frequency source for command source	Units digit: binding frequency source selection for operation panel command Tens digit: terminal command binding frequency source selection (0 to 9, same as units digit) Hundreds digit: communication command binding frequency source selection (0 to 9, same as units digit)	000	☆	97
53.	F0.13	Acceleration time 1	0.00s to 6500s	Depends on models	☆	98
54.	F0.14	Deceleration time 1	0.00s to 6500s	Depends on models	☆	98
55.	F0.15	Ac/Deceleration time unit	0:1 second 1:0.1 second 2:0.01 second	1	★	98
56.	F0.16	Ac/deceleration time reference frequency	0: F0.19(maximum frequency) 1: Set frequency 2: 100Hz	0	★	99
57.	F0.17	Carrier frequency adjustment as per	0: NO 1: YES	1	☆	99

No.	Code	Parameter name	Setting range	Factory setting	Change	Reference page
58.	F0.18	Carrier Frequency	0.5kHz to 16.0kHz	Depend s on models	☆	99
59.	F0.19	Maximum output frequency	50.00Hz to 320.00Hz	50.00H z	★	99
60.	F0.20	Upper limit frequency source	0: F0.21 setting 1: AI1 2: AI2 3: Panel potentiometer setting 4: High-speed pulse setting	0	★	100
61.	F0.21	Upper limit frequency	F0.23 (lower limit frequency) to F0.19(maximum frequency)	50.00Hz	☆	100
62.	F0.22	Upper limit frequency offset	0.00Hz to F0.19 (maximum frequency)	0.00Hz	☆	100
63.	F0.23	Lower limit frequency	0.00Hz to F0.21 (upper limit frequency)	0.00Hz	☆	100
64.	F0.24	Running direction	0: same direction 1: opposite direction	0	☆	100
65.	F0.25	Reserve				
66.	F0.26	Reserve				
67.	F0.27	GF type	1.G type (constant torque load type) 2.F type (fans/pumps load type)	-	●	100

### 5-1-3.F1 Group - Input terminals group



No.	Code	Parameter name	Setting range	Factory setting	Change	Reference page
68.	F1.00	DI1 terminal function selection	0 to 50	1	★	101
69.	F1.01	DI2 terminal function selection		2	★	101
70.	F1.02	DI3 terminal function selection		8	★	101
71.	F1.03	DI4 terminal function selection		9	★	101
72.	F1.04	DI5 terminal function selection		12	★	101
73.	F1.05	DI6 terminal function selection		13	★	101
74.	F1.06	DI7 terminal function selection		0	★	101
75.	F1.07	DI8 terminal function selection		0	★	101
76.	F1.08	Undefined		0	★	101
77.	F1.09	Undefined		0	★	101
78.	F1.10	Terminal command mode	0: Two-wire type 1 1: Two-wire type 2 2: Three-wire type 1 3: Three-wire type 2	0	★	106
79.	F1.11	Terminal UP / DOWN change rate	0.001Hz/s to 65.535Hz/s	1.00 Hz/s	☆	109
80.	F1.12	Minimum input value for AI curve 1	0.00V to F1.14	0.00V	☆	109
81.	F1.13	Minimum input setting for AI curve 1	-100.00% to +100.0%	0.0%	☆	109

No.	Code	Parameter name	Setting range	Factory setting	Change	Reference page
82.	F1.14	Maximum input for AI curve 1	F1.12 to +10.00V	10.00V	☆	109
83.	F1.15	Maximum input setting for AI curve 1	-100.00% to +100.0%	100.0%	☆	109
84.	F1.16	Minimum input value for AI curve 2	0.00V to F1.18	0.00V	☆	110
85.	F1.17	Minimum input setting for AI curve 2	-100.00% to +100.0%	0.0%	☆	110
86.	F1.18	Maximum input for AI curve 2	F1.16 to +10.00V	10.00V	☆	110
87.	F1.19	Maximum input setting for AI curve 2	-100.00% to +100.0%	100.0%	☆	110
88.	F1.20	Minimum input value for AI curve 3	-10.00V to F1.22	0.00V	☆	110
89.	F1.21	Minimum input setting for AI curve 3	-100.00% to +100.0%	0.0%	☆	110
90.	F1.22	Maximum input for AI curve 3	F1.20 to +10.00V	10.00V	☆	111
91.	F1.23	Maximum input setting for AI curve 3	-100.00% to +100.0%	100.0%	☆	111
92.	F1.24	AI curve selection	Units digit: AI1 curve selection Tens digit: AI2 curve selection Hundreds digit: panel potentiometer curve selection	0x321	☆	111
93.	F1.25	Setting selection for AI less than minimum input	Units digit: setting selection for AI1 less than minimum input Tens digit: setting selection for AI2 less than minimum input, ditto Hundreds digit: setting	0x000	☆	111



No.	Code	Parameter name	Setting range	Factory setting	Change	Reference page
			for panel potentiometer less than minimum input(0 to 1,ditto)			
94.	F1.26	Minimum pulse input frequency	0.00kHz to F1.28	0.00 kHz	☆	112
95.	F1.27	Minimum pulse input frequency setting	-100.00% to +100.0%	0.0%	☆	112
96.	F1.28	Maximum pulse input frequency	F1.26 to 100.00kHz	50.00kHz	☆	112
97.	F1.29	Maximum pulse input frequency setting	-100.00% to +100.0%	100.0%	☆	112
98.	F1.30	DI filter time	0.000s to 1.000s	0.01s	☆	112
99.	F1.31	AI1 filter time	0.00s to 10.00s	0.10s	☆	112
100.	F1.32	AI2 filter time	0.00s to 10.00s	0.10s	☆	112
101.	F1.33	Filtering time of panel potentiometer	0.00s to 10.00s	0.10s	☆	112
102.	F1.34	Filter time of pulse input	0.00s to 10.00s	0.1s	☆	112
103.	F1.35	DI terminal valid mode selection 1	Units digit: DI1 0: high level active 1: low level active Tens digit: DI2 Hundreds digit: DI3 Thousands digit: DI4 Ten thousands digit: DI5	00000	★	112

No.	Code	Parameter name	Setting range	Factory setting	Change	Reference page
104.	F1.36	DI terminal valid mode selection 2	Units digit: DI6 0: high level active 1: low level active Tens digit: DI7 Hundreds digit: DI8 Thousands digit: DI9 Ten thousands digit: DI10	00000	★	113
105.	F1.37	DI1 delay time	0.0s to 3600.0s	0.0s	★	113
106.	F1.38	DI2 delay time	0.0s to 3600.0s	0.0s	★	113
107.	F1.39	DI3 delay time	0.0s to 3600.0s	0.0s	★	113

#### 5-1-4.F2 Group - Output terminals group

No.	Code	Parameter name	Setting range	Factory setting	Change	Reference page
108.	F2.00	SPB terminal output mode selection	0 to 1	0	☆	113
109.	F2.01	Switching quantity output function selection	0 to 40	0	☆	114
110.	F2.02	Relay 1 output function selection (TA1.TB1.TC1)		2	☆	114
111.	F2.03	Undefined				
112.	F2.04	SPA output function selection (collector open circuit output terminals)		1	☆	114

113.	F2.05	Relay 2 output function selection (TA2.TB2.TC2)		1	☆	114
------	-------	--	--	---	---	-----



No.	Code	Parameter name	Setting range	Factory setting	Change	Reference page
114.	F2.06	High-speed pulse output function selection	0 to 16	0	☆	116
115.	F2.07	DA1 output function		0	☆	116
116.	F2.08	DA2 output function selection		1	☆	116
117.	F2.09	Maximum output frequency of high-speed pulse	0.01kHz to 100.00kHz	50.00 kHz	☆	117
118.	F2.10	SPB switching quantity output delay	0.0s to 3600.0s	0.0s	☆	117
119.	F2.11	Relay 1 output delay time	0.0s to 3600.0s	0.00s	☆	117
120.	F2.12	Expansion card DO output delay time	-100.0% to +100.0%	0.0%	☆	117
121.	F2.13	SPA output delay time	0.0s to 3600.0s	0.0s	☆	117
122.	F2.14	Relay 2 output delay time	0.0s to 3600.0s	0.0s	☆	117
123.	F2.15	DO output terminal active status selection	0: positive logic 1: anti-logic Units digit: SPB switching quantity Tens digit: Relay 1 Hundreds digit: Expansion DO Thousands digit: SPA Ten thousands digit: Relay 2	00000	☆	117

No.	Code	Parameter name	Setting range	Factory setting	Change	Reference page
124.	F2.16	DA1 zero bias coefficient	-100.0% to +100.0%	0.0%	☆	118
125.	F2.17	DA1 gain	-10.00 to +10.00	1.00	☆	118
126.	F2.18	DA2 zero bias coefficient	-100.0% to +100.0%	0.00%	☆	118
127.	F2.19	DA2 gain	-10.00 to +10.00	1.00	☆	118

### 5-1-5.F3 Group - Start and stop control group

No.	Code	Parameter name	Setting range	Factory setting	Change	Reference page
128.	F3.00	Start-up mode	0: Direct startup 1: Speed tracking restart 2: Pre-excitation start (AC asynchronous motor)	0	☆	119
129.	F3.01	Speed tracking mode	0: start from stop frequency 1: start from zero speed 2: start from maximum frequency	0	★	119
130.	F3.02	Speed tracking value	1 to 100	20	☆	119
131.	F3.03	Start frequency	0.00Hz to 10.00Hz	0.00Hz	☆	119
132.	F3.04	Hold time for start frequency	0.0s to 100.0s	0.0s	★	119
133.	F3.05	Start DC braking current	0% to 100%	0%	★	120
134.	F3.06	Start DC braking time	0.0s to 100.0s	0.0s	★	120

No.	Code	Parameter name	Setting range	Factory setting	Change	Reference page
135.	F3.07	Stop mode	0: Deceleration parking 1: Free stop	0	☆	120
136.	F3.08	Initial frequency of stop DC braking	0.00Hz to F0.19 (maximum frequency)	0.00Hz	☆	120
137.	F3.09	Waiting time of stop DC braking	0.0s to 100.0s	0.0s	☆	121
138.	F3.10	Stop DC braking current	0% to 100%	0%	☆	121
139.	F3.11	Stop DC braking time	0.0s to 100.0s	0.0s	☆	121
140.	F3.12	Braking utilization rate	0% to 100%	100%	☆	121
141.	F3.13	Ac/deceleration mode	0: Linear acceleration and deceleration 1: S curve acceleration and 2: S curve acceleration and deceleration B	0	★	122
142.	F3.14	Proportion of S curve start-	0.0% to (100.0% to F3.15)	30.0%	★	122
143.	F3.15	Proportion of S curve end-	0.0% to (100.0% to F3.14)	30.0%	★	122

#### 5-1-6.F4 Group - V/F control parameters

No.	Code	Parameter name	Setting range	Factory setting	Change	Reference page
144.	F4.00	V/F curve setting	0 to 11	0	★	123

No.	Code	Parameter name	Setting range	Factory setting	Change	Reference page
145.	F4.01	Torque boost	0.0%(Automatic torque boost) 0.1 to 30%	4	★	124
146.	F4.02	Torque boost cut-off frequency	0.00Hz to F0.19(maximum frequency)	15.00Hz	★	124
147.	F4.03	Multipoint V/F frequency point 1	0.00Hz to F4.05	0.00Hz	★	125
148.	F4.04	Multipoint V/F voltage point 1	0.0% to 100.0%	0.0%	★	125
149.	F4.05	Multipoint V/F frequency point 2	F4.03 to F4.07	0.00Hz	★	125
150.	F4.06	Multipoint V/F voltage point 2	0.0% to 100.0%	0.0%	★	125
151.	F4.07	Multipoint V/F frequency point 3	F4.05 to b0.04 (rated motor)	0.00Hz	★	125
152.	F4.08	Multipoint V/F voltage point 3	0.0% to 100.0%	0.0%	★	125
153.	F4.09	Slip compensation coefficient	0% to 200.0%	0.0%	☆	126
154.	F4.10	Overexcitation gain	0 to 200	64	☆	126
155.	F4.11	Oscillation suppression gain	0 to 100	0	☆	126
156.	F4.12	V/F separation voltage source	0 to 8	0	☆	127
157.	F4.13	V/F separation voltage digital	0V to rated motor voltage	0V	☆	127
158.	F4.14	V/F separation voltage rise time	0.0s to 1000.0s	0.0s	☆	127

### 5-1-7.F5 Group - Vector control parameters



No.	Code	Parameter name	Setting range	Factory setting	Change	Reference page
159.	F5.00	Speed loop low P	1 to 100	30	☆	127
160.	F5.01	Speed loop low integral time	0.01s to 10.00s	0.50s	☆	127
161.	F5.02	Speed loop low switching	0.00 to F5.05	5.00Hz	☆	127
162.	F5.03	Speed loop high P	0 to 100	20	☆	127
163.	F5.04	Speed loop high integral time	0.01s to 10.00s	1.00s	☆	127
164.	F5.05	Speed loop high switching frequency	F5.02 to F0.19 (max.frequency)	10.00Hz	☆	127
165.	F5.06	Speed loop integral attribute	0:invalid 1:valid	0	☆	128
166.	F5.07	Torque limit source under speed control mode	options 0-7	0	☆	128
167.	F5.08	Upper limit digital setting for lower torque under speed control	0.0% to 200.0%	150.0%	☆	129
168.	F5.09	Vector control differential gain	50% to 200%	150%	☆	129
169.	F5.10	Speed loop filter time constant	0.000s to 0.100s	0.000s	☆	129
170.	F5.11	Vector control overexcitation gain	0 to 200	64	☆	129
171.	F5.12	Excitation regulator proportional gain	0 to 60000	2000	☆	129
172.	F5.13	Excitation regulator integral gain	0 to 60000	1300	☆	129
173.	F5.14	Torque regulator proportional gain	0 to 60000	2000	☆	129



No.	Code	Parameter name	Setting range	Factory setting	Change	Reference page
174.	F5.15	Torque regulator integral gain	0 to 60000	1300	☆	129

### 5-1-8.F6 Group - Keyboard and display

No.	Code	Parameter name	Setting range	Factory setting	Change	Reference page
175.	F6.00	STOP/RESET key functions	0: STOP/RES key is enabled only under keyboard operation mode 1: STOP/RES key is enabled under any operation mode	1	☆	130
176.	F6.01	Running status display parameters 1	0000 to FFFF	1F	☆	130
177.	F6.02	Running status display parameters 2	0000 to FFFF	0	☆	130
178.	F6.03	Stop status display parameters	0000 to FFFF	33	☆	131
179.	F6.04	Load speed display coefficient	0.0001 to 6.5000	1.0000	☆	131
180.	F6.05	Decimal places for load speed display	0:0 decimal places 1:1 decimal places 2:2 decimal places 3:3 decimal places	0	●	131
181.	F6.06	Inverter module radiator temperature	0.0°C to 100.0°C	-	●	131
182.	F6.07	Total run time	0h to 65535h	-	●	131
183.	F6.08	Total power-on time	0h to 65535h	-	●	132
184.	F6.09	Total power	0 to 65535 kwh	-	●	132

185.	F6.10	Part number		-	●	132
------	-------	-------------	--	---	---	-----

No.	Code	Parameter name	Setting range	Factory setting	Change	Reference page
186.	F6.11	Software version number		-	●	132
187.	F6.12 to F6.14	Reserve				
188.	F6.15	Keyboard type selection	0: keypad (single row LED) 1: big keyboard (double row LED)	0	●	132

### 5-1-9.F7 Group - Auxiliary function group

No.	Code	Parameter name	Setting range	Factory setting	Change	Reference page
189.	F7.00	Jog running frequency	0.00Hz to F0.19(maximum frequency)	2.00Hz	☆	132
190.	F7.01	Jog acceleration time	0.0s to 6500.0s	20.0s	☆	132
191.	F7.02	Jog deceleration time	0.0s to 6500.0s	20.0s	☆	132
192.	F7.03	Terminal jog priority	0: Invalid 1: Valid	0	☆	132
193.	F7.04	Jump frequency 1	0.00Hz to F0.19 (maximum frequency)	0.00Hz	☆	132
194.	F7.05	Jump frequency 2	0.00Hz to F0.19(maximum frequency)	0.00Hz	☆	132
195.	F7.06	Jump frequency range	0.00Hz to F0.19 (maximum frequency)	0.00Hz	☆	132

No.	Code	Parameter name	Setting range	Factory setting	Change	Reference page
196.	F7.07	Jump frequency availability during ac/deceleration process	0: Invalid 1: Valid	0	☆	133
197.	F7.08	Acceleration time 2	0.0s to 6500.0s	Depends on models	☆	133
198.	F7.09	Deceleration time 2	0.0s to 6500.0s	Depends on models	☆	133
199.	F7.10	Acceleration time 3	0.0s to 6500.0s	Depends on models	☆	133
200.	F7.11	Deceleration time 3	0.0s to 6500.0s	Depends on models	☆	133
201.	F7.12	Acceleration time 4	0.0s to 6500.0s	Depends on models	☆	133
202.	F7.13	Deceleration time 4	0.0s to 6500.0s	Depends on models	☆	133
203.	F7.14	Switching frequency point between acceleration time 1 and acceleration time 2	0.00Hz to F0.19 (maximum frequency)	0.00Hz	☆	134
204.	F7.15	Switching frequency point between deceleration time 1 and deceleration time 2	0.00Hz to F0.19 (maximum frequency)	0.00Hz	☆	134
205.	F7.16	Forward/reverse rotation deadband	0.00s to 3600.0s	0.00s	☆	134
206.	F7.17	Reverse rotation control	0: Enable 1: Disable	0	☆	135
207.	F7.18	Set frequency lower than lower limit frequency mode	0: running at lower limit frequency 1: stop 2: zero speed	0	☆	135

No.	Code	Parameter name	Setting range	Factory setting	Change	Reference page
208.	F7.19	Droop control	0.00Hz to 10.00Hz	0.00Hz	☆	135
209.	F7.20	Setting cumulative power-on arrival time	0h to 36000h	0h	☆	135
210.	F7.21	Setting cumulative running arrival time	0h to 36000h	0h	☆	135
211.	F7.22	Start protection	0: OFF 1: ON	0	☆	136
212.	F7.23	Frequency detection value (FDT1)	0.00Hz to F0.19(maximum frequency)	50.00Hz	☆	136
213.	F7.24	Frequency detection hysteresis value (FDT1)	0.0% to 100.0% (FDT1 level)	5.0%	☆	136
214.	F7.25	Frequency reaches detection width	0.00 to 100% (maximum frequency)	0.0%	☆	136
215.	F7.26	Frequency detection value (FDT2)	0.00Hz to F0.19 (maximum frequency)	50.00Hz	☆	137
216.	F7.27	Frequency detection hysteresis value (FDT2)	0.0% to 100.0% (FDT2 level)	5.0%	☆	137
217.	F7.28	Random arrivals frequency detection value 1	0.00Hz to F0.19 (maximum frequency)	50.00Hz	☆	137
218.	F7.29	Random arrivals frequency detection width 1	0.00% to 100.0% (maximum frequency)	0.0%	☆	137
219.	F7.30	Random arrivals frequency detection value 2	0.00Hz to F0.19 (maximum frequency)	50.00Hz	☆	137
220.	F7.31	Random arrivals frequency detection width 2	0.00% to 100.0% (maximum frequency)	0.0%	☆	137

No.	Code	Parameter name	Setting range	Factory setting	Change	Reference page
221.	F7.32	Zero current detection level	0.0% to 300.0% (rated motor)	5.0%	☆	138
222.	F7.33	Zero current detection delay time	0.01s to 360.00s	0.10s	☆	138
223.	F7.34	Overrun value of output current	0.0% (not detected) 0.1% to 300.0% (rated motor)	200.0%	☆	138
224.	F7.35	Output current overrun detection delay time	0.00s to 360.00s	0.00s	☆	138
225.	F7.36	Random arrivals current 1	0.0% to 300.0% (rated motor)	100%	☆	139
226.	F7.37	Random arrivals current 1 width	0.0% to 300.0% (rated motor)	0.0%	☆	139
227.	F7.38	Random arrivals current 2	0.0% to 300.0% (rated motor)	100%	☆	139
228.	F7.39	Random arrivals current 2 width	0.0% to 300.0% (rated motor)	0.0%	☆	139
229.	F7.40	Module temperature arrival	0°C to 100°C	75°C	☆	140
230.	F7.41	Cooling fan control	0: Fan running only when running 1: Fan always running	0	☆	140
231.	F7.42	Timing function selection	0: Invalid 1: Valid	0	☆	140
232.	F7.43	Timing run time selection	0: F7.44 setting 1: AI1 2: AI2 3: Panel	0	☆	140

No.	Code	Parameter name	Setting range	Factory setting	Change	Reference page
			potentiometer Analog input range corresponds to F7.44			
233.	F7.44	Timing run time	0.0Min to 6500.0Min	0.0Min	☆	140
234.	F7.45	Current running reaches the set time.	0.0Min to 6500.0Min	0.0Min	☆	140
235.	F7.46	Awakens frequency	dormancy frequency (F7.48) to maximum frequency (F0.19)	0.00Hz	☆	141
236.	F7.47	Awakens delay time	0.0s to 6500.0s	0.0s	☆	141
237.	F7.48	Dormancy frequency	0.00Hz to awakens frequency(F7.46)	0.00Hz	☆	141
238.	F7.49	Dormancy delay time	0.0s to 6500.0s	0.0s	☆	141
239.	F7.50	AI1 input voltage protection lower limit	0.00V to F7.51	3.1V	☆	141
240.	F7.51	AI1 input voltage protection upper limit	F7.50 to 10.00V	6.8V	☆	141

### 5-1-10.F8 Group - Fault and protection

No.	Code	Parameter name	Setting range	Factory setting	Change	Reference page
241.	F8.00	Overcurrent stall gain	0 to 100	20	☆	141

242.	F8.01	Overcurrent stall protection current	100% to 200%	150%	☆	141
------	-------	--------------------------------------	--------------	------	---	-----

No.	Code	Parameter name	Setting range	Factory setting	Change	Reference page
243.	F8.02	Motor overload protection	0: Disable 1: Enable	1	☆	141
244.	F8.03	Motor overload protection	0.20 to 10.00	1.00	☆	141
245.	F8.04	Motor overload pre-alarm coefficient	50% to 100%	80%	☆	142
246.	F8.05	Overvoltage stall gain	0 to 100	0	☆	142
247.	F8.06	Overvoltage stall protection voltage / energy consumption brake voltage	120% to 150%	130%	☆	142
248.	F8.07	Input phase loss protection	0: Disable 1: Enable	1	☆	142
249.	F8.08	Output phase loss protection	0: Disable 1: Enable	1	☆	143
250.	F8.09	Power-on short circuit to	0: Invalid 1: Valid	1	☆	143
251.	F8.10	Number of automatic fault reset	0 to 20	0	☆	143
252.	F8.11	Fault DO action selection during automatic fault reset	0: OFF 1: ON	0	☆	143

253.	F8.12	Automatic fault reset interval	0.1s to 100.0s	1.0s	☆	143
254.	F8.13	Overspeed detection value	0.0 to 50.0% (maximum frequency)	20.0%	☆	143

No.	Code	Parameter name	Setting range	Factor setting	Change	Reference page
255.	F8.14	Overspeed detection	0.0 to 60.0s	1.0s	☆	143
256.	F8.15	Detection value for too large speed deviation	0.0 to 50.0% (maximum frequency)	20.0%	☆	144
257.	F8.16	Detection time for too large speed deviation	0.0 to 60.0s	5.0s	☆	144
258.	F8.17	Fault protection action	Units digit: Motor overload (Err.11) 0: Free stop 1: Stop at the selected mode 2: Continue to run Tens digit: input phase loss (Err.12) (same as units digit) Hundred digit: output phase loss (Err.13) (same as units digit) Thousand digit: external fault (Err.15) (same as units digit) Ten thousands digit: Communication abnormal( Err.16)(same as units digit)	00000	☆	144
259.		Fault protection	Units digit: encoder/PG card abnormal (Err.20) 0: Free stop 1: Switch to V/F and then stop at the selected mode			



	F8.18	action selection 2	2: Switch to V/F and continue to run Tens digit: function code read and write abnormal (Err.21) 0: Free stop	00000	☆	144
--	-------	-----------------------	---	-------	---	-----

No.	Code	Parameter name	Setting range	Factory setting	Change	Reference page
			1: Stop at the selected mode Hundreds digit: Reserved Thousands digit: Motor overheating (Err.25) ( same as F8.17 units digit) Ten thousands digit: Running time arrival(Err.26)( same as F8.17 units digit)			
260.	F8.19	Fault protection action selection 3	Units digit: Custom fault 1(Err.27) ( same as F8.17 units digit) Tens digit: Custom fault 2 (Err.28) ( same as F8.17 units digit) Hundreds digit; Power-on time arrival (Err.29) ( same as F8.17 units digit) Thousands digit: Load drop (Err.30) 0: Free stop 1: Deceleration parking 2: Deceleration up to 7% of the rated motor frequency, and then continue running, automatically restore to the set frequency for when the load drop does not happen. Ten thousands digit: PID feedback loss when running (Err.31) (	00000	☆	145

261.	F8.20	Fault protection action selection 4	Units digit: Too large speed deviation (Err.42) ( same as F8.17 units digit) Tens digit: Motor overspeed (Err.43) Hundreds digit: Initial position error (Err.51) ( same as F8 17 units digit)	00000	☆	145
------	-------	-------------------------------------	--	-------	---	-----

No.	Code	Parameter name	Setting range	Factory setting	Change	Reference page
			Thousands digit: Reserved Ten thousands digit: Reserved			
262.	F8.21	Reserve				
263.	F8.22	Reserve				
264.	F8.23	Reserve				
265.	F8.24	Continue running frequency selection when failure happens	0: running at current frequency 1: running at set frequency 2: running at upper limit frequency 3: running at lower limit frequency 4: running at abnormal spare	0	☆	146
266.	F8.25	Abnormal spare frequency	60.0% to 100.0%	100%	☆	146
267.	F8.26	Momentary power cut action selection	0: Invalid 1: Deceleration 2: Deceleration and stop	0	☆	146
268.	F8.27	Recovery judgment voltage of momentary power	80.0% to 100.0%	90%	☆	146

269.	F8.28	Recovery voltage judgment time of momentary	0.00s to 100.00s	0.50s	☆	146
270.	F8.29	Judgment voltage of momentary power cut action	60.0% to 100.0% (standard bus voltage)	80%	☆	146

No.	Code	Parameter name	Setting range	Factory setting	Change	Reference page
271.	F8.30	Load drop protection	0: Invalid 1: Valid	0	☆	147
272.	F8.31	Load drop detection	0.0 to 100.0%	10%	☆	147
273.	F8.32	Load drop detection time	0.0 to 60.0s	1.0s	☆	148

### 5-1-11.F9 Group - Communication parameter

No.	Code	Parameter name	Setting range	Factory setting	Change	Reference page
274.	F9.00	Baud rate	Units digit:MODBUS Tens digit:Profibus-DP Hundreds digit:Reserve Thousands digit:CANlink baudrate	6005	☆	148
275.	F9.01	Data format	0: no parity (8-N-2) 1: even parity (8-E-1) 2: odd parity (8-O-1) 3: no parity (8-N-1)	0	☆	149
276.	F9.02	This unit address	1-247, 0 for broadcast	1	☆	149

277.	F9.03	Response delay	0ms-20ms	2ms	☆	149
278.	F9.04	Communication timeout time	0.0 (invalid), 0.1s-60.0s	0.0	☆	149
279.	F9.05	Data protocol selection	Units digit: MODBUS 0: non-standard MODBUS protocol 1: standard MODBUS protocol Tens digit: Profibus-	30	☆	149

No.	Code	Parameter name	Setting range	Factory setting	Change	Reference page
			DP 0: PPO1 format 1: PPO2 format 2: PPO3 format 3: PPO5 format			
280.	F9.06	Communication read current	0: 0.01A 1: 0.1A	0	☆	149
281.	F9.07	Communication card type	0: Modbus communication card 1: Profibus communication card 2: CANopen communication card 3: CANlink communication card	0	☆	149

### 5-1-12.FA Group - Torque control parameters

No.	Code	Parameter name	Setting range	Factory setting	Change	Reference page
282.	FA.00	Speed/torque control mode selection	0: speed control 1: torque control	0	★	150

283.	FA.01	Torque setting source selection under torque control mode	0: keyboard setting (FA.02) 1: Analog AI1 setting 2: Analog AI2 setting 3: Panel potentiometer setting 4: High-speed pulse setting 5: Communications reference 6: MIN (AI1, AI2) 7: MAX (AI1, AI2)	0	★	150
284.	FA.02	Torque keyboard setting under torque	-200.0% to 200.0%	150%	☆	

No.	Code	Parameter name	Setting range	Factory setting	Change	Reference page
		control mode				
285.	FA.03	Torque control acceleration time	0.00s to 650.00s	0.00s	☆	150
286.	FA.04	Torque control deceleration time	0.00s to 650.00s	0.00s	☆	150
287.	FA.05	Torque control forward maximum frequency	0.00Hz to F0.19(maximum frequency)	50.00Hz	☆	151
288.	FA.06	Torque control backward maximum frequency	0.00Hz to F0.19 (maximum frequency)	50.00Hz	☆	151
289.	FA.07	Torque filter time	0.00s to 10.00s	0.00s	☆	151

### 5-1-13.FB Group - Control optimization parameters

No.	Code	Parameter name	Setting range	Factory setting	Change	Reference page
290.	FB.00	Fast current limiting manner	0: disable 1: enable	1	☆	151

291.	FB.01	Undervoltage point setting	60.0% to 140.0%	100.0%	☆	151
292.	FB.02	Overvoltage point setting	200.0V to 2500.0V	810V	☆	151
293.	FB.03	Deadband compensation mode selection	0: no compensation 1: compensation mode 1 2: compensation mode 2	1	☆	151
294.	FB.04	Current detection compensation	0 to 100	5	☆	152
295.	FB.05	Vector optimization without PG mode selection	0: no optimization 1: optimization mode 1	1	☆	152

No.	Code	Parameter name	Setting range	Factory setting	Change	Reference page
			2: optimization mode 2			
296.	FB.06	Upper limiting frequency for DPWM switching	0.00Hz to 15.00Hz	12.00Hz	☆	152
297.	FB.07	PWM modulation manner	0: asynchronous 1: synchronou	0	☆	152
298.	FB.08	Random PWM depth	0: Invalid 1 to 10: PWM carrier frequency	0	☆	152
299.	FB.09	Deadband time	100% to 200%	150%	☆	152

### 5-1-14.E0 Group - Wobble, fixed-length and counting

No.	Code	Parameter name	Setting range	Factory setting	Change	Reference page
-----	------	----------------	---------------	-----------------	--------	----------------

300.	E0.00	Swing setting manner	0: relative to center frequency 1: relative to maximum frequency	0	☆	153
301.	E0.01	Wobble range	0.0% to 100.0%	0.0%	☆	153
302.	E0.02	Sudden jump frequency	0.0% to 50.0%	0.0%	☆	153
303.	E0.03	Wobble cycle	0.1s to 3000.0s	10.0s	☆	154
304.	E0.04	Triangle wave rise time coefficient	0.1% to 100.0%	50.0%	☆	154
305.	E0.05	Set length	0m to 65535m	1000m	☆	154
306.	E0.06	Actual length	0m to 65535m	0m	☆	154
307.	E0.07	Pulse per meter	0.1 to 6553.5	100.0	☆	154
308.	E0.08	Set count value	1 to 65535	1000	☆	154
309.	E0.09	Specified count value	1 to 65535	1000	☆	154

### 5-1-15.E1 Group - Multi-stage command, simple PLC

No.	Code	Parameter name	Setting range	Factory setting	Change	Reference page
310.	E1.00	0-stage speed setting 0X	-100.0% to 100.0%	0.0%	☆	155
311.	E1.01	1-stage speed setting 1X	-100.0% to 100.0%	0.0%	☆	155
312.	E1.02	2-stage speed setting 2X	-100.0% to 100.0%	0.0%	☆	155
313.	E1.03	3-stage speed setting 3X	-100.0% to 100.0%	0.0%	☆	155
314.	E1.04	4-stage speed setting 4X	-100.0% to 100.0%	0.0%	☆	155
315.	E1.05	5-stage speed setting 5X	-100.0% to 100.0%	0.0%	☆	155

316.	E1.06	6-stage speed setting 6X	-100.0% to 100.0%	0.0%	☆	155
317.	E1.07	7-stage speed setting 7X	-100.0% to 100.0%	0.0%	☆	155
318.	E1.08	8-stage speed setting 8X	-100.0% to 100.0%	0.0%	☆	155
319.	E1.09	9-stage speed setting 9X	-100.0% to 100.0%	0.0%	☆	155
320.	E1.10	10-stage speed setting 10X	-100.0% to 100.0%	0.0%	☆	155
321.	E1.11	11-stage speed setting 11X	-100.0% to 100.0%	0.0%	☆	155
322.	E1.12	12-stage speed setting 12X	-100.0% to 100.0%	0.0%	☆	155

No.	Code	Parameter name	Setting range	Factory setting	Change	Reference page
323.	E1.13	13-stage speed setting 13X	-100.0% to 100.0%	0.0%	☆	156
324.	E1.14	14-stage speed setting 14X	-100.0% to 100.0%	0.0%	☆	156
325.	E1.15	15-stage speed setting 15X	-100.0% to 100.0%	0.0%	☆	156
326.	E1.16	Simple PLC running mode	0: stop after single running 1: hold final value after single running 2: circulating	0	☆	156
327.	E1.17	Simple PLC power-down memory selection	Units digit: power-down memory selection 0: power-down without memory 1: power-down with memory Tens digit: stop memory selection	00	☆	



			0: stop without memory 1: stop with memory			
328.	E1.18	0 stage running time T0	0.0s(h) to 6500.0s(h)	0.0s(h)	☆	157
329.	E1.19	0 stage ac/deceleration time selection	0 to 3	0	☆	157
330.	E1.20	1 stage running time T1	0.0s(h) to 6500.0s(h)	0.0s(h)	☆	157
331.	E1.21	1 stage ac/deceleration time selection	0 to 3	0	☆	157

No.	Code	Parameter name	Setting range	Factory setting	Change	Reference page
332.	E1.22	2 stage running time T2	0.0s(h) to 6500.0s(h)	0.0s(h)	☆	157
333.	E1.23	2 stage ac/deceleration time selection	0 to 3	0	☆	157
334.	E1.24	3 stage running time T3	0.0s(h) to 6500.0s(h)	0.0s(h)	☆	157
335.	E1.25	3 stage ac/deceleration time selection	0 to 3	0	☆	157
336.	E1.26	4 stage running time T4	0.0s(h) to 6500.0s(h)	0.0s(h)	☆	157
337.	E1.27	4 stage ac/deceleration time selection	0 to 3	0	☆	157
338.	E1.28	5 stage running time T5	0.0s(h) to 6500.0s(h)	0.0s(h)	☆	158
339.	E1.29	5 stage ac/deceleration time selection	0 to 3	0	☆	158
340.	E1.30	6 stage running time T6	0.0s(h) to 6500.0s(h)	0.0s(h)	☆	158

341.	E1.31	6 stage ac/deceleration time selection	0 to 3	0	☆	158
342.	E1.32	7 stage running time T7	0.0s(h) to 6500.0s(h)	0.0s(h)	☆	158
343.	E1.33	7 stage ac/deceleration time selection	0 to 3	0	☆	158
344.	E1.34	8 stage running time T8	0.0s(h) to 6500.0s(h)	0.0s(h)	☆	158
345.	E1.35	8 stage ac/deceleration time selection	0 to 3	0	☆	158

No.	Code	Parameter name	Setting range	Factory setting	Change	Reference page
346.	E1.36	9 stage running time T9	0.0s(h) to 6500.0s(h)	0.0s(h)	☆	158
347.	E1.37	9 stage ac/deceleration time selection	0 to 3	0	☆	158
348.	E1.38	10 stage running time T10	0.0s(h) to 6500.0s(h)	0.0s(h)	☆	158
349.	E1.39	10 stage ac/deceleration time selection	0 to 3	0	☆	159
350.	E1.40	11 stage running time T11	0.0s(h) to 6500.0s(h)	0.0s(h)	☆	159
351.	E1.41	11 stage ac/deceleration time selection	0 to 3	0	☆	159
352.	E1.42	12 stage running time T12	0.0s(h) to 6500.0s(h)	0.0s(h)	☆	159
353.	E1.43	12 stage ac/deceleration time selection	0 to 3	0	☆	159

354.	E1.44	13 stage running time T13	0.0s(h) to 6500.0s(h)	0.0s(h)	☆	159
355.	E1.45	13 stage ac/deceleration time selection	0 to 3	0	☆	159
356.	E1.46	14 stage running time T14	0.0s(h) to 6500.0s(h)	0.0s(h)	☆	159
357.	E1.47	14 stage ac/deceleration time selection	0 to 3	0	☆	159
358.	E1.48	15 stage running time T15	0.0s(h) to 6500.0s(h)	0.0s(h)	☆	159
359.	E1.49	15 stage ac/deceleration time selection	0 to 3	0	☆	159
360.	E1.50	Simple PLC run-time unit	0: S (seconds) 1: H (hours)	0	☆	159

No.	Code	Parameter name	Setting range	Factory setting	Change	Reference page
361.	E1.51	Multi-stage command 0 setting mode	0: function code E1.00 reference 1: analog AI1 setting 2: analog AI2 setting 3: panel potentiometer setting 4: High-speed pulse setting 5: PID control setting 6: keyboard set frequency (F0.01) setting, UP/DOWN can	0	☆	159

### 5-1-16.E2 Group - PID function

No.	Code	Parameter name	Setting range	Factory setting	Change	Reference page
-----	------	----------------	---------------	-----------------	--------	----------------

362.	E2.00	PID setting source	0: E2.01 setting 1: Analog AI1 reference 2: Analog AI2 reference 3: Panel potentiometer setting 4: High-speed pulse setting 5: Communications reference 6: Multi-stage command	0	☆	159
363.	E2.01	PID keyboard setting	0.0% to 100.0%	50.0%	☆	160
364.	E2.02	PID feedback source	0 to 8	0	☆	160
365.	E2.03	PID action direction	0: positive 1: negative	0	☆	160

No.	Code	Parameter name	Setting range	Factory setting	Change	Reference page
366.	E2.04	PID setting feedback range	0 to 65535	1000	☆	160
367.	E2.05	PID inversion cutoff frequency	0.00 to F0.19(maximum frequency)	2.00Hz	☆	160
368.	E2.06	PID deviation limit	0.0% to 100.0%	0%	☆	161
369.	E2.07	PID differential limiting	0.00% to 100.00%	0.10%	☆	161
370.	E2.08	PID reference change time	0.00s to 650.00s	0.00s	☆	161
371.	E2.09	PID feedback filter time	0.00s to 60.00s	0.00s	☆	161
372.	E2.10	PID output filter time	0.00s to 60.00s	0.00s	☆	161
373.	E2.11	PID feedback loss detection value	0.0%: not judged feedback loss 0.1% to 100.0%	0.0%	☆	161

374.	E2.12	PID feedback loss detection time	0.0s to 20.0s	0.0s	☆	161
375.	E2.13	Proportional gain KP1	0.0 to 100.0	20.0	☆	161
376.	E2.14	Integration time Ti1	0.01s to 10.00s	2.00s	☆	161
377.	E2.15	Differential time Td1	0.00s to 10.000s	0.000s	☆	161
378.	E2.16	Proportional gain KP2	0.0 to 100.0	20.0	☆	162
379.	E2.17	Integration time Ti2	0.01s to 10.00s	2.00s	☆	162
380.	E2.18	Differential time Td2	0.00 to 10.000	0.000s	☆	162
381.	E2.19	PID parameter switching conditions	0: no switching 1: switching via terminals 2: automatically	0	☆	



No.	Code	Parameter name	Setting range	Factory setting	Change	Reference page
			switching according to deviation.			
382.	E2.20	PID parameter switching deviation 1	0.0% to E2.21	20.0%	☆	162
383.	E2.21	PID parameter switching deviation 2	E2.20 to 100.0%	80.0%	☆	162
384.	E2.22	PID integral properties	Units digit: integral separation 0: Invalid 1: Valid Tens digit: whether stop integration when output reaches limit 0: continue 1: stop	00	☆	163
385.	E2.23	PID initial value	0.0% to 100.0%	0.0%	☆	163
386.	E2.24	PID initial value hold time	0.00s to 360.00s	0.00s	☆	163

387.	E2.25	Maximum deviation of twice outputs(forward)	0.00% to 100.00%	1.00%	☆	164
388.	E2.26	Maximum deviation of twice outputs(backward)	0.00% to 100.00%	1.00%	☆	164
389.	E2.27	Computing status after PID stop	0: stop without computing 1: stop with	0	☆	164



### 5-1-17.E3 Group – Virtual DI、 Virtual DO

No.	Code	Parameter name	Setting range	Factory setting	Change	Reference page
390.	E3.00	Virtual VDI1 terminal function selection	0 to 50	0	★	164
391.	E3.01	Virtual VDI2 terminal function selection	0 to 50	0	★	164
392.	E3.02	Virtual VDI3 terminal function selection	0 to 50	0	★	165
393.	E3.03	Virtual VDI4 terminal function selection	0 to 50	0	★	165
394.	E3.04	Virtual VDI5 terminal function selection	0 to 50	0	★	165
395.	E3.05	Virtual VDI terminal status set	Units digit:Virtual VDI1 Tens digit:Virtual VDI2 Hundreds digit:Virtual VDI3 Thousands digit:Virtual VDI4 Tens of thousands:Virtual VDI5	00000	★	165

396.	E3.06	Virtual VDI terminal effective status set mode	Units digit:Virtual VDI1 Tens digit:Virtual VDI2 Hundreds digit:Virtual VDI3 Thousands digit:Virtual VDI4 Tens of thousands:Virtual VDI5	11111	★	165
397.	E3.07	AI1 terminal as a function selection of DI	0 to 50	0	★	166
398.	E3.08	AI2 terminal as a function selection of DI	0 to 50	0	★	166

No.	Code	Parameter name	Setting range	Factory setting	Change	Reference page
399.	E3.09	Panel potentiometer as a function selection of DI	0 to 50	0	★	167
400.	E3.10	AI as DI effective mode selection	Units digit: AI1 0:High level effectively 1:Low level effectively Tens digit:AI2(0 to 1,same as units digit) Hundreds digit: Panel potentiometer(0 to 1,same as units digit)	000	★	167
401.	E3.11	Virtual VDO1 output function selection	0 to 40	0	☆	167
402.	E3.12	Virtual VDO2 output function selection	0 to 40	0	☆	168
403.	E3.13	Virtual VDO3 output function selection	0 to 40	0	☆	168
404.	E3.14	Virtual VDO4 output function selection	0 to 40	0	☆	168

405.	E3.15	Virtual VDO5 output function selection	0 to 40	0	☆	168
406.	E3.16	VDO output terminal effective status selection	Units digit:VDO1 0:Positive logic 1:Negative logic Tens digit: VDO2(0 to 1,same as above) Hundreds digit:VDO3(0 to 1,same as above) Thousands digit:VDO4(0 to 1,same as above) Tens of thousands digit:VDO5 (0 to 1,same as above)	00000	☆	168



No.	Code	Parameter name	Setting range	Factory setting	Change	Reference page
407.	E3.17	VDO1 output delay time	0.0s to 3600.0s	0.0s	☆	168
408.	E3.18	VDO2 output delay time	0.0s to 3600.0s	0.0s	☆	168
409.	E3.19	VDO3 output delay time	0.0s to 3600.0s	0.0s	☆	169
410.	E3.20	VDO4 output delay time	0.0s to 3600.0s	0.0s	☆	169
411.	E3.21	VDO5 output delay time	0.0s to 3600.0s	0.0s	☆	169

### 5-1-18.b0 Group - Motor parameters

No.	Code	Parameter name	Setting range	Factory setting	Change	Reference page
-----	------	----------------	---------------	-----------------	--------	----------------



412.	b0.00	Motor type selection	0: general asynchronous motor 1: asynchronous inverter motor 2: permanent magnet synchronous	0	★	169
413.	b0.01	Rated power	0.1kW to 1000.0kW	Depends on models	★	169
414.	b0.02	Rated voltage	1V to 2000V	Depends on models	★	169
415.	b0.03	Rated current	0.01A to 655.35A (inverter power $\leq$ 55kW) 0.1A to 6553.5A (inverter rate > 55kW)	Depends on models	★	169
416.	b0.04	Rated frequency	0.01Hz to F0.19 (maximum frequency)	Depends on models	★	169
417.	b0.05	Rated speed	1rpm to 36000rpm	Depends on models	★	169

No.	Code	Parameter name	Setting range	Factory setting	Change	Reference page
418.	b0.06	Asynchronous motor stator resistance	0.001 $\Omega$ to 65.535 $\Omega$ (inverter power $\leq$ 55kW) 0.0001 $\Omega$ to 6.5535 $\Omega$ (inverter power > 55kW)	Motor parameters	★	170
419.	b0.07	Asynchronous motor rotor resistance	0.001 $\Omega$ to 65.535 $\Omega$ (inverter power $\leq$ 55kW) 0.0001 $\Omega$ to 6.5535 $\Omega$ (inverter power > 55kW)	Motor parameters	★	170
420.	b0.08	Asynchronous motor leakage inductance	0.01mH to 655.35mH (inverter power $\leq$ 55kW) 0.001mH to 65.535mH (inverter power > 55kW)	Motor parameters	★	170
421.	b0.09	Asynchronous motor mutual inductance	0.1mH to 6553.5mH (inverter power $\leq$ 55kW) 0.01mH to 655.35mH (inverter power > 55kW)	Motor parameters	★	170
422.	b0.10	Asynchronous motor no-load current	0.01A to b0.03 (inverter power $\leq$ 55kW) 0.1A to b0.03 (inverter power > 55kW)	Motor parameters	★	170

423.	b0.11	Synchronous motor stator resistance	0.001Ω to 65.535Ω (inverter power ≤ 55kW) 0.0001Ω to 6.5535Ω (inverter power > 55kW)	-	★	170
424.	b0.12	Synchronous D-axis inductance	0.01mH to 655.35mH (inverter power ≤ 55kW) 0.001mH to 65.535mH (inverter power > 55kW)	-	★	170
425.	b0.13	Synchronous Q-axis inductance	0.01mH to 655.35mH (inverter power ≤ 55kW) 0.001mH to 65.535mH (inverter power > 55kW)	-	★	171
426.	b0.14	Synchronous motor back-EMF	0.1V to 6553.5V	-	★	171
427.	b0.15 to b0.26	Reserve				



No.	Code	Parameter name	Setting range	Factory setting	Change	Reference page
428.	b0.27	Motor parameter auto tuning	0: no operation 1: asynchronous motor parameters still auto tuning 2: asynchronous motor parameters comprehensive auto tuning 12: synchronous motor parameters comprehensive auto tuning	0	★	171
429.	b0.28	Encoder type	0: ABZ incremental encoder 1: UVW incremental encoder 3: Rotational transformer 4: Wire-saving UVW encoder	0	★	172
430.	b0.29	Encoder every turn pulse number	1 to 65535	2500	★	172
431.	b0.30	Encoder installation angle	0.00 to 359.90	0.00	★	172

432.	b0.31	ABZ incremental encoder AB phase sequence	0: forward 1: reverse	0	★	172
433.	b0.32	UVW encoder offset angle	0.00 to 359.90	0.0	★	173
434.	b0.33	UVW encoder UVW phase sequence	0: forward 1: reverse	0	★	173
435.	b0.34	Speed feedback PG disconnection detection ..	0.0s: OFF 0.1s to 10.0s	0.0s	★	173
436.	b0.35	Pole-pairs of rotary	1 to 65535	1	★	173

### 5-1-19.y0 Group - Function code management

No.	Code	Parameter name	Setting range	Factory setting	Change	Reference page
437.	y0.00	Parameter initialization	0: no operation 1: restore default parameter values, not including motor parameters 2: clear history 3: restore default parameter including motor parameters 4: backup current user parameters 501: restore from backup user parameters	0	★	173
438.	y0.01	User password	0 to 65535	0	☆	174
			Units digit: d group display selection 0: not displays 1: displays Tens digit: E group display selection(the same above)			

439.	y0.02	Function parameter group display	<p>Hundreds digit: b group display selection(the same above)</p> <p>Thousands digit: v group display selection(the same above)</p> <p>Tens thousands digit: L group display selection(the same above)</p>	11111	★	174
440.	y0.03	Personality parameter group display selection	<p>Units digit:User's customization parameter display selection</p> <p>0:not display</p> <p>1:display</p> <p>Tens digit :User's change parameter display selection</p>	00	☆	175



No.	Code	Parameter name	Setting range	Factory setting	Change	Reference page
			0:not display 1:display			
441.	y0.04	Function code modification properties	0: modifiable 1: not modifiable	0	☆	175

### 5-1-20.y1 Group - Fault query

No.	Code	Parameter name	Setting range	Factory setting	Change	Refer ence page
			<p>0: No fault</p> <p>1: Inverter unit protection</p> <p>2: Acceleration overcurrent</p> <p>3: Deceleration overcurrent</p> <p>4: Constant speed overcurrent</p> <p>5: Acceleration overvoltage</p> <p>6: Deceleration overvoltage</p> <p>7: Constant speed overvoltage</p> <p>8: Reserved</p> <p>9: Undervoltage</p> <p>10: Inverter overload</p> <p>11: Motor Overload</p>			

442.	y1.00	Type of the first fault	12: Input phase loss 13: Output phase loss 14: Module overheating 15: External fault 16: Communication abnormal 17: Contactor abnormal 18: Current detection 19: Motor self-learning abnormal 20: Encoder/PG card abnormal 21: Parameter read and write abnormal 22: Inverter hardware abnormal 23: Motor short to ground 24: Reserved 25: Reserved 26: Running time arrival 27: Custom fault 1 28: Custom fault 2 29: Power-on time arrival 30: Load drop	-	●	175
------	-------	-------------------------	--	---	---	-----

No.	Code	Parameter name	Setting range	Factory setting	Change	Refer ence page
443.			31: PID feedback loss when running 40: Fast current limiting timeout 41: Switch motor when running 42: Too large speed deviation 43: Motor overspeed 45: Motor over-temperature 51: Initial position error			
444.	y1.01	Type of the second fault	-	-	●	175
445.	y1.02	Type of the third(at last) fault	-	-	●	175
446.	y1.03	Frequency of the third(at last) fault	-	-	●	177

447.	y1.04	Current of the third(at	-	-	•	177
448.	y1.05	Bus voltage of the third(at last)	-	-	•	177
449.	y1.06	Input terminal status of the third(at last) fault	-	-	•	177
450.	y1.07	Output terminal status of the third(at last) fault	-	-		



No.	Code	Parameter name	Setting range	Factory setting	Change	Refer ence page
451.	y1.08	Inverter status of the third(at last) fault	-	-	•	177
452.	y1.09	Power-on time of the third(at last) fault	-	-	•	177
453.	y1.10	Running time of the third(at last) fault	-	-	•	177
454.	y1.11	Reserve				
455.	y1.12	Reserve				
456.	y1.13	Frequency of the second fault	-	-	•	178

457.	y1.14	Current of the second	-	-	●	178
458.	y1.15	Bus voltage of the second fault	-	-	●	178
459.	y1.16	Input terminal status of the	-	-	●	178
460.	y1.17	Output terminal status of the second	-	-	●	178
461.	y1.18	Inverter status of the second	-	-	●	

No.	Code	Parameter name	Setting range	Factory setting	Change	Reference page
462.	y1.19	Power-on time of the second	-	-	●	178
463.	y1.20	Running time of the second fault	-	-	●	178
464.	y1.21	Reserve				
465.	y1.22	Reserve				
466.	y1.23	Frequency of the first fault	-	-	●	178
467.	y1.24	Current of the first	-	-	●	179
468.	y1.25	Bus voltage of the first	-	-	●	179
469.	y1.26	Input terminal status of	-	-	●	179

470.	y1.27	Output terminal status of the first	-	-	●	179
471.	y1.28	Inverter status of the first	-	-	●	179
472.	y1.29	Power-on time of the first	-	-	●	179
473.	y1.30	Running time of the first	-	-	●	179

## 5-2.Function parameter description

### 5-2-1.Basic monitoring parameters: d0.00-d0.39

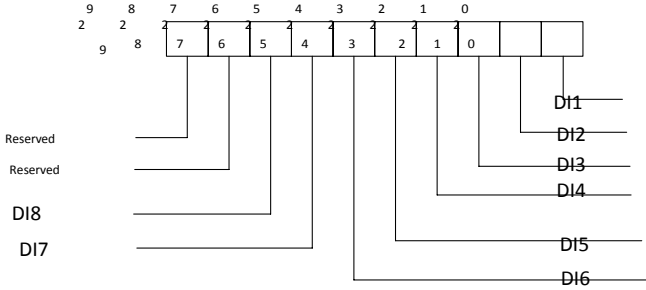
d0 parameters group is used to monitor the inverter running status information, user can view those information through the panel to facilitate on-site commissioning,





also read parameters group value via communication for host computer monitoring.

For the specific parameters function code, name and the smallest unit, see Table 5-

Function code	0 to 10 bits	Output terminal status	Unit						
	0	Invalid							
	1	Valid							
d0.00		Running frequency (Hz)	0.01Hz						
Actual output frequency									
d0.01		Set frequency (Hz)	0.01Hz						
Actual set frequency									
d0.02		Bus voltage (V)	0.1V						
Detected value for DC bus voltage									
d0.03		Output voltage (V)	1V						
Actual output voltage									
d0.04		Output current (A)	0.01A						
Effective value for Actual motor current									
d0.05		Output power (kW)	0.1kW						
Calculated value for motor output power									
d0.06		Output torque (%)	0.1%						
Motor output torque percentage									
d0.07		DI input status	-						
DI input status, this value is a hexadecimal digits. The table listed each input terminal status sequence for each bit: <table border="1" data-bbox="161 893 554 1023" style="margin: 10px auto;"> <thead> <tr> <th>0 to 10 bits</th> <th>Input terminal status</th> </tr> </thead> <tbody> <tr> <td>0</td> <td>Invalid</td> </tr> <tr> <td>1</td> <td>Valid</td> </tr> </tbody> </table> 				0 to 10 bits	Input terminal status	0	Invalid	1	Valid
0 to 10 bits	Input terminal status								
0	Invalid								
1	Valid								
d0.08		DO output status	-						

DO output status, this value is a hexadecimal digits. The table listed each output terminal status sequence for each bit:

<sup>4</sup>      <sup>3</sup>      <sup>2</sup>      <sup>1</sup>      <sup>0</sup>  
 2      2      2      2      2  
   4      3      2      1      0

SPB

Relay 1

Undefined  
SPA

Relay 2

d0.09	AI1 voltage (V)	0.01V
AI1 input voltage value		
d0.10	AI2 voltage (V)	0.01V
AI2 input voltage value		
d0.11	Panel potentiomete	0.01V
Panel potentiometer input voltage value		
d0.12	Count value	-
Actual pulse count value in counting function		
d0.13	Length value	-
Actual length in fixed length function		
d0.14	Actual speed	-
Motor Actual running speed display		
d0.15	PID setting	%
Reference value percentage under PID adjustment mode		
d0.16	PID feedback	%
Feedback value percentage under PID adjustment mode		
d0.17	PLC stage	-
Stage display when PID program is running		
d0.18	High-speed pulse input pulse frequency (Hz)	0.01kHz
High-speed pulse input frequency display, unit: 0.01Khz		
d0.19	Feedback speed(unit:0.1Hz)	0.1Hz
PG feedback speed, to an accuracy of 0.01hz		



d0.20	Remaining run time	0.1Min	
Remaining run time display, it is for timing run control			
d0.21	Linear speed	1m/Min	
Linear speed calculated from angular speed and diameter is used for controlling constant tension and constant linear speed.			
d0.22	Current power-on time	1Min	
Total time of current inverter power-on			
d0.23	Current run time	0.1Min	
Total time of current inverter run			
d0.24	High-speed pulse input pulse frequency	1Hz	
High-speed pulse input frequency display, unit: 1hz			
d0.25	Communication set value	0.01%	
Frequency, torque or other command values set by communication port			
d0.26	Encoder feedback speed	0.01Hz	
PG feedback speed, to an accuracy of 0.01hz			
d0.27	Master frequency setting display	0.01Hz	
Frequency set by F0.03 master frequency setting source			
d0.28	Auxiliary frequency setting display	0.01Hz	
Frequency set by F0.04 auxiliary frequency setting source			
d0.31	Synchro rotor position	0.0°	
Current position angle of synchronous motor rotor			
d0.29	Command torque (%)	0.1%	
Display the set target torque under torque control mode			
d0.32	Resolver position	-	
Rotor position when rotary transformer is used as a speed feedback			
d0.33	ABZ position	0	
Displays AB phase pulse count of the current ABZ or UVW encoder			
d0.34	Z signal counter		
Displays Z phase pulse count of the current ABZ or UVW encoder			
d0.35	Inverter status		
Displays inverter running status information Data definition format is as			
d0.35	Bit0	0: stop; 1: forward; 2: reverse	
	Bit1		
	Bit2		0: constant; 1: acceleration; 2: deceleration
	Bit3		

	Bit4	0: bus voltage normal; 1: undervoltage
d0.36	Inverter type	-
1:G type: Suitable for constant torque load 2:F type: Suitable for variable torque load (fans, pumps load)		
d0.37	AI1 voltage before correction	0.01V
d0.38	AI2 voltage before correction	0.01V
d0.39	Panel potentiometer voltage before correction	0.01V

### 5-2-2.Basic function group: F0.00-F0.27

Code	Parameter name	Setting range	Factory setting	Change Limit	
F0.00	Motor control mode	Vector control without PG	0	2	★
		Vector control with PG	1		
		V/F control	2		
F0.01	Keyboard set frequency	0.00Hz to F0.19(maximum frequency)	50.00Hz	★	
When "Digital Setting" or "Terminal UP/DOWN " is selected as frequency source, the parameter value is the initial value of the inverter frequency digital setting.					
F0.02	Frequency command resolution	0.1Hz	1	2	★
		0.01Hz	2		
<p>This parameter is used to determine the resolution of all related frequency parameters.</p> <p>When the frequency resolution is 0.1Hz, PI9000 maximum output frequency can reach 3200Hz, when the frequency resolution is 0.01Hz , PI9000 maximum output frequency is 320.00Hz.</p> <p>Note: when modifying the function parameters, the number of decimal places of all related frequency parameters will change displayed, the frequency value will change accordingly.</p>					
F0.03	Frequency source master setting	Keyboard set frequency (F0.01, UP/DOWN can be modified, power-down without memory)	0	0	☆
		Keyboard set frequency (F0.01, UP/DOWN can be modified, power-down with memory)	1		
		Analog AI1 setting	2		
		Analog AI2 setting	3		
		Panel potentiometer	4		
		High-speed pulse setting	5		

		Multi-speed operatio	6		
		Simple PLC program setting	7		
		PID control setting	8		
		Remote communications	9		

Select inverter master reference frequency input channels. There are 10 master reference frequency channels in all:

0: Keyboard set frequency (F0.01, UP/DOWN can be modified, power-down without memory)

Initial value for the set frequency is F0.01 "preset frequency" value. The set frequency value of the inverter can be changed by using the ▲ key and ▼ key on the keyboard (or multi-function input terminals UP, DOWN).

The Inverter powers down and then powers on again, the set frequency value will be recovered as F0.01 "digital preset frequency value".

1: Keyboard set frequency (F0.01, UP/DOWN can be modified, power-down with memory)

Initial value for the set frequency is F0.01 "preset frequency" value. The set frequency value of the inverter can be changed by using the ▲ key and ▼ key on the keyboard (or multi-function input terminals UP, DOWN).

The Inverter powers down and then powers on again, the set frequency value is same as the frequency of the last power-down

Please note that F0.09 is for "digital set frequency stop memory selection", F0.09 is used to select SAVE or CLEAR frequency correction when the inverter stops Besides, F0.09 is not related to the power-down memory but shutdown.

2: Analog AI1 setting

3: Analog AI2 setting

4: Panel potentiometer setting

Refers to that the frequency is determined by the analog input terminal, PI9000 control panel provides two analog input terminals (AI1 , AI2).

Either 0V to 10V voltage input or 0mA to 20mA current input, it is selected by the jumper on the control board.

The corresponding relationship between AI1 , AI2 input voltage value and the target frequency can be set through F1 function code by user.

Panel potentiometer analog input voltage of 0V to

5V. 5: High-speed pulse setting

Frequency reference is achieved via terminal pulse reference. Pulse reference signal specifications: voltage range of 9V to 30V, frequency range of 0 kHz to 100kHz. Pulse reference only can be inputted from the multi-function input terminal DI5. The relationship between DI5 terminal input pulse frequency and its corresponding setting can be set by F1.26 to F1.29, the correspondence is based on a straight line between 2 points, the pulse input corresponds to the set 100.0% , it refers to the percent of F0.19 relative to maximum frequency

6: Multi-speed operation setting

When multi-stage command operation mode is selected, the different input state

combination of DI terminal correspond to the different set frequency value. PI9000 can set up more than 4 multi-stage command terminals and 16 statuses, and any 16 "multi-stage commands" can be achieved correspondence through E1 group function code, the "multi-stage command" refers to the percent of F0.19 relative to maximum frequency.

Under the mode, DI terminal function in F1 group parameters will be required to set as the multi-stage command.

**7: Simple PLC program setting**

Under the mode, the inverter operating frequency source can be switched between 1 to 16 any frequency commands, the user can set hold time and ac/deceleration time for 1 to 16 frequency command, the specific content refers to the related E1 group instructions.

**8: PID control setting**

Select process PID control output as the operating frequency. Generally it is used for closed-loop control, such as constant pressure closed-loop control, constant tension closed-loop control and other occasions.

Select PID as the frequency source, you need to set E2 group "PID function" parameters.

**9: Remote communications setting**

PI9000 supports Modbus communication.

Communication card must be installed when using the function.

F0.04	Frequency source auxiliary setting	Keyboard set frequency (F0.01, UP/DOWN can be modified, power-down without memory)	0	0	★
		Keyboard set frequency (F0.01, UP/DOWN can be modified, power-down with memory)	1		
		Analog AI1 setting	2		
		Analog AI2 setting	3		
		Panel potentiometer	4		
		High-speed pulse setting	5		
		Multi-speed operation	6		
		Simple PLC program setting	7		
		PID control setting	8		
		Remote communications	9		

The instructions for use refers to F0.03.

When the frequency source auxiliary setting is used as overlays reference (select frequency source as master+auxiliary, master to master+auxiliary or auxiliary to master+auxiliary), you need to pay attention to:

1) When the frequency source auxiliary setting is set to digital reference, the preset frequency (F0.01) does not work, user can adjust frequency by using ▲, ▼ keys (or multi-

function input terminals UP, DOWN) on the keyboard, adjust directly on the basis of master frequency source.

2) When the frequency source auxiliary setting is set to analog input reference (AI1, AI2, panel potentiometer) or pulse input reference, the frequency source auxiliary setting range for the set 100% can be set by F0.05 and F0.06.

3) When the frequency source is set to pulse input reference, it is similar to analog reference. Tip: Both master and auxiliary setting of frequency source can not be set in the same channel, ie F0.03 and F0.04 can not be set as the same value, otherwise easily lead to confusion.

F0.05	Reference object selection for	Relative to maximum frequency	0	0	☆
		Relative to master	1		
F0.06	Frequency source auxiliary setting range	0% to 150%		100%	☆

When the frequency source is set to "frequency overlay"(i.e. F0.07 is set to 1, 3 or 4), these two parameters are used to determine the range of adjustment of frequency source auxiliary setting.

F0.05 is used to determine the object corresponding to frequency source auxiliary setting range, either the maximum frequency or the frequency source master setting, if the frequency source master setting is selected, so the frequency source auxiliary setting range will be subject to the change of the frequency source master setting.

F0.07	Frequency source superimposed selection	Units digit	Frequency source selection	00	☆	
		Frequency source master setting				0
		Arithmetic result of master and auxiliary(arithmetic relationship depends on switch				1
		between frequency source master setting and				2
		Switch between frequency source master setting and arithmetic result of				3
		Switch between frequency source auxiliary setting and arithmetic result of				4
Tens digit		Arithmetic relationship of master and auxiliary				

			frequency source		
		Master+auxiliary	0		
		Master-auxiliary	1		
		Max(master, auxiliary)	2		
		Min (master, auxiliary)	3		

Frequency source reference is achieved by compounding frequency source master setting and frequency source auxiliary setting

Units digit: frequency source selection:

0: Frequency source master setting

Frequency source master setting is used as command frequency

1: Arithmetic result of master and auxiliary is used as command frequency, for the arithmetic relationship of master and auxiliary, please see the instructions of function code "tens digit".

2: Switch between frequency source master setting and auxiliary setting, when multi-function input terminal 18 (frequency switching) is invalid, the frequency source master setting is selected as command frequency. when multi-function input terminal 18 (frequency switching) is valid, frequency source auxiliary setting is selected as command frequency.

3: Switch between the frequency source master setting and the arithmetic result of master and auxiliary, when multi-function input terminal 18 (frequency switching) is invalid, the frequency source master setting is selected as command frequency. When multi-function input terminal 18 (frequency switching) is valid, the arithmetic result of master and auxiliary is selected as command frequency.

4: Switch between the frequency source auxiliary setting and the arithmetic result of master and auxiliary, when multi-function input terminal 18 (frequency switching) is invalid, the frequency source auxiliary setting is selected as command frequency. When multi-function input terminal 18 (frequency switching) is valid, the arithmetic result of master and auxiliary is selected as command frequency.

Tens digit: arithmetic relationship of master and auxiliary for frequency source

0: frequency source master setting + frequency source auxiliary setting

The sum of frequency source master setting plus frequency source auxiliary setting is used as command frequency Achieve frequency overlay reference function.

1: frequency source master setting - frequency source auxiliary setting

The difference of frequency source master setting minus frequency source auxiliary setting is used as command frequency

2: MAX (master and auxiliary) take the largest absolute value in frequency source master setting and frequency source auxiliary setting as command frequency.

3: MIN (master and auxiliary) take the smallest absolute value in frequency source master setting and frequency source auxiliary setting as command frequency. In addition, when the arithmetic result of master and auxiliary is selected as frequency source, you can set offset frequency by F0.08 and overlay offset frequency to the arithmetic result of master

F0.08	Frequency source offset frequency when superimposing	0.00Hz to F0.19(maximum frequency)	0.00Hz	☆
-------	--	------------------------------------	--------	---



<p>The function code is only valid when the arithmetic result of master and auxiliary is selected as frequency source.</p> <p>When the arithmetic result of master and auxiliary is selected as frequency source, F0.08 is used as offset frequency, and it overlays with the arithmetic result of master and auxiliary as the set value of final frequency so that the frequency setting can be more flexible.</p>					
F0.09	Shutdown memory selection for digital set frequency	W/O memory	0	1	☆
		W/ memory	1		
<p>This feature is only frequency source for the digital set.</p> <p>"W/O memory" refers to that the digital set frequency value will recovered to F0.01 (preset frequency) value when the inverter stops, and the frequency correction by the ▲/▼ key on the keyboard or terminals UP, DOWN is cleared.</p> <p>"W/ memory" refers to that the digital set frequency is reserved when the inverter stops, and the frequency correction by the ▲/▼ key on the keyboard or terminals UP, DOWN remains valid.</p>					
F0.10	Frequency command UP / DOWN reference when running	Running frequency	0	0	★
		Set frequency	1		
<p>This parameter is valid only when the frequency source is the digital set value.</p> <p>when determining the keyboard ▲ ▼ keys or terminal UP/DOWN action, the method to correct the set frequency that is, the target frequency decreases or increases on the basis of the operating frequency or the set frequency.</p> <p>The obvious difference between two settings appears when the inverter is in the process of ac/deceleration, that is, if the inverter operating frequency is not same as the set frequency, the different choices of the parameters has very different effect.</p>					
F0.11	Command source selection	Keyboard control (LED off)	0	0	☆
		Terminal block control (LED on)	1		
		Communications command control (LED flashes)	2		
<p>Select inverter control command input channel. Inverter control commands include: start, stop, forward, reverse and jog, etc.</p> <p>0: keyboard control ("LOCAL / REMOT" lights out); Operate command control by using RUN, STOP/RST Keys on the operation panel. 1: terminal block control ("LOCAL / REMOT" lights up); Operate command control by using multi-function input terminals FWD, REV or FJOG. 2: communication command control ("LOCAL / REMOT" flashes)</p> <p>Gives the run command from the host computer through the means of communication.</p> <p>Select this option, the optional communication card (Modbus card) is required.</p>					
F0.12	Binding frequency source for command source	Units digit	Keyboard command binding frequency source selection	000	☆
		Not binded	0		
		Keyboard set frequency	1		
		A11	2		

		AI2	3		
		Panel potentiometer	4		
		High-speed pulse setting	5		
		Multi-speed	6		
		Simple PLC	7		
		PID	8		
		Communications reference	9		
	Tens digit	Terminal block command binding frequency source selection (0 to 9, same as units digit)			
	Hundreds digit	Communication command binding frequency source selection (0 to 9, same as units digit)			

Define the combination of 3 operation command channels and 9 frequency reference channels for easily synchronously switching.

The principle for above frequency source reference channel is same as frequency source master setting selection F0.03, please see the description of F0.03 function code. The different running command channel can be bundled with the same frequency reference channel. When command source has the available frequency source for bundling, in the valid period of command source, the set frequency source by F0.03 to F0.07 is no longer valid.

F0.13	Acceleration time 1	0.00s to 6500s	-	☆
F0.14	Deceleration time 1	0.00s to 6500s	-	☆

Acceleration time refers to the required time when the inverter accelerates from zero frequency to F0.16.

Deceleration time refers to the required time when the inverter decelerates from F0.16 to zero frequency.

PI9000 provides four groups of ac/deceleration time, user can select by using the digital input terminal DI, as follows:

The first group: F0.13, F0.14;

The second group: F7.08, F7.09;

The third group: F7.10, F7.11;

F0.15	Ac/Deceleration time unit	1 second	0	1	★
		0.1 second	1		
		0.01 second	2		

To meet the demand of the various on-site, PI9000 provides three kinds of time unit: 1 second, 0.1 second and 0.01 second respectively.

Note: when modifying the function parameters, the number of decimal places that the four groups of ac/deceleration time displayed will change displayed, the ac/deceleration time

will change accordingly.																			
F0.16	Ac/deceleration time reference frequency	Maximum frequency(F0.19)	0	0	★														
		Set frequency	1																
		100Hz	2																
<p>Ac/deceleration time refers to the required time from zero frequency to F0.16 or from F0.16 to zero frequency.</p> <p>When F0.16 selects 1, the ac/deceleration time depends on the set frequency, if the set frequency change frequently, and the acceleration of the motor is varied, please use with caution.</p>																			
F0.17	Carrier frequency adjustment as per temperature	NO	0	1	☆														
		YES	1																
<p>The adjustment of carrier frequency refers to that the inverter automatically adjusts the carrier frequency according to the radiator temperature, so as to reduce the carrier frequency when the radiator temperature rises, and to restore the carrier frequency when the radiator temperature reduces.</p>																			
F0.18	Carrier Frequency	0.5kHz to 16.0kHz	-		☆														
<p>This function is mainly used for improving the noise and vibration phenomena that the inverter operation may occur. If the carrier frequency is higher, there are more ideal current waveform and less motor noise. It is very applicable in the place to be muted. But at this time, the switching loss of main components is large, the whole unit fevers, the efficiency decreases and the output reduces. At the same time, there is a bigger radio interference, another problem is that the capacitive leakage current increases when running at the high carrier frequency, the equipped leakage protective device may cause malfunction or overcurrent.</p> <p>When running at the low carrier frequency, the above-mentioned phenomenon are opposite.</p> <p>There are different responds to carrier frequency for the different motors. The best carrier frequency can be obtained based on the Actual situation adjustment. However, with the increase of motor capacity, the smaller carrier frequency should be selected. This company reserves the right to limit the maximum carrier frequency.</p> <p>The adjustment of carrier frequency will have impacts on the following performances:</p> <table border="1" data-bbox="288 1098 849 1362"> <thead> <tr> <th>Carrier Frequency</th> <th>Low → high</th> </tr> </thead> <tbody> <tr> <td>Motor noise</td> <td>Large → small</td> </tr> <tr> <td>Output current waveform</td> <td>Poor → good</td> </tr> <tr> <td>Motor temperature</td> <td>High → low</td> </tr> <tr> <td>Inverter temperature</td> <td>Low → high</td> </tr> <tr> <td>Leakage current</td> <td>Small → large</td> </tr> <tr> <td>External radiation and interference</td> <td>Small → large</td> </tr> </tbody> </table>						Carrier Frequency	Low → high	Motor noise	Large → small	Output current waveform	Poor → good	Motor temperature	High → low	Inverter temperature	Low → high	Leakage current	Small → large	External radiation and interference	Small → large
Carrier Frequency	Low → high																		
Motor noise	Large → small																		
Output current waveform	Poor → good																		
Motor temperature	High → low																		
Inverter temperature	Low → high																		
Leakage current	Small → large																		
External radiation and interference	Small → large																		
F0.19	Maximum output	50.00Hz to 320.00Hz	50.00Hz		★														
<p>If analog input, pulse input (DI5) or multi-stage command in PI9000 is selected as</p>																			

frequency source, the respective 100.0% is calibrated relative to the parameter.

When PI9000 maximum output frequency reaches up to 3200Hz, in order to take into account the two indexes of frequency command resolution and frequency input range, the number of decimal places for frequency command can be selected by F0.02 .

When F0.02 selects 1, the frequency resolution is 0.1Hz, at this time F0.19 can be set in the range from 50.0Hz to 3200.0Hz; When F0.02 selects 2, the frequency resolution is 0.01Hz, at this time F0.19 can be set in the range from 50.00Hz to 320.00Hz.

F0.20	Upper limit frequency source	F0.21 setting	0	0	★
		AI1	1		
		AI2	2		
		Panel potentiometer setting	3		
		High-speed pulse setting	4		
		Communications reference	5		

Setting upper limit frequency. The upper limit frequency can be set from either digital setting (F0.21) or analog input channels. If the upper limit frequency is set from analog input, the set 100% of analog input is relative to F0.21.

To avoid the "Runaway", the setting of upper limit frequency is required, when the inverter reaches up to the set upper limit frequency value, the inverter will remain operation at the upper limit frequency, no further increase.

F0.21	Upper limit frequency	F0.23 (lower limit frequency) to F0.19 (maximum frequency)	50.00Hz	☆
F0.22	Upper limit frequency offset	0.00Hz to F0.19 (maximum frequency)	0.00Hz	☆

When the upper limit frequency is set from the analog or the high-speed pulse, F0.22 will be used as the offset of set value, the overlay of the offset frequency and F0.20 is used as the set value of the final upper limit frequency.

F0.23	Lower limit frequency	0.00Hz to F0.21 (lower limit frequency)	0.00Hz	☆
-------	-----------------------	---	--------	---

When the frequency command is lower than the lower limit frequency set by F0.23, the inverter can shut down, and then run at the lower limit frequency or the zero speed, the running mode can be set by F7.18.

F0.24	Running direction	Same direction	0	0	☆
		Opposite direction	1		

By changing the parameters, the motor steering can be achieved without changing the motor wiring, which acts as the adjustment of any two lines(U, V, W) of the motor to achieve the conversion of the motor rotation direction.

Tip: after the parameter is initialized, the motor running direction will be restored to its original status. When the system debugging is completed, please use with caution where the change of motor steering is strictly prohibited.

F0.25	Reserve				
F0.26	Reserve				
F0.27	Inverter type	G type (constant torque load)	1	1	●
		F type (fans/pumps)	2		

		type)			
<p>The parameters is only for user to view the factory model and can not be changed.          1: Suitable for constant torque load 2: Suitable for variable torque load (fans, pumps load)</p>					

### 5-2-3.Input terminals: F1.00-F1.39

PI9000 series inverter of below 11KW is equipped with 6 multi-function digital input terminals, the inverter of above 11KW is equipped with 8 multi-function digital input terminal (of which DI5 can be used as a high-speed pulse input terminal ), and 2 analog input terminals.

Code	Parameter name	Setting range	Factory setting	Change Limit
F1.00	DI1 terminal function selection	0 to 50	1	★
F1.01	DI2 terminal function selection	0 to 50	2	
F1.02	DI3 terminal function selection	0 to 50	8	
F1.03	DI4 terminal function selection	0 to 50	9	
F1.04	DI5 terminal function selection	0 to 50	12	
F1.05	DI6 terminal function selection	0 to 50	13	
F1.06	DI7 terminal function selection	0 to 50	0	
F1.07	DI8 terminal function selection	0 to 50		
F1.08	Undefined			
F1.09	Undefined			

These parameters are used to set the digital multi-function input terminal, the optional functions are shown in the following table:

Set value	Function	Description
0	No function	The terminal for not use can be set to "no function" to prevent accidental operation.
1	Forward run (FWD)	External terminals are used to control the FWD/REV run mode of inverter.
2	Reverse run (REV)	



3	Three-wire operation control	This terminal is used to determine the inverter's three-wire control mode. For details, please refer to the instructions of function code F1.10 ("terminal command mode).
4	Forward JOG(FJOG)	FJOG means Forward JOG running, RJOG means Reverse JOG running. For Jog running frequency and Jog Ac/deceleration time, please refer to the description of the function code F7.00, F7.01, F7.02.
5	Reverse JOG(RJOG)	
6	Terminal UP	Modify frequency increment/decrement command when the frequency is referenced by external terminal. Adjust up/down the set frequency when the digital setting is selected as the frequency source.
7	Terminal DOWN	
8	Free stop	The inverter output is blocked, at the time, the parking process of motor is not controlled by the inverter. This way is same as the principle of free stop described in F3.07.
9	Fault reset (RESET)	The function make use of terminal for fault reset. It has same function with RESET key on the keyboard. This function can be used to realize remote fault reset.
10	Run pausing	The inverter slows down and stops, but all operating parameters are memorized. Such as PLC parameters, wobblulate frequency parameters, and PID parameters. This terminal signal disappears, the inverter reverts to the previous state of running before parking.
11	External fault normally open input	When the signal is sent to the inverter, the inverter reports fault Err.15, and performs troubleshooting according to fault protection action (for details, please refer to the function
12	Multi-speed terminal 1	The setting of 16 stage speed or 16 kinds of other command can be achieved through the 16 states of the four terminals. For details, see Table 1
13	Multi-speed terminal 2	
14	Multi-speed terminal 3	
15	Multi-speed terminal 4	
16	Ac/deceleration time selection terminal 1	The selection of 4 ac/deceleration times can be achieved through the 4 states of the two terminals. For details, see Table 2
17	Ac/deceleration time selection terminal 2	

18	Frequency source switching	Used to switch between different frequency sources. According to frequency source selection function code (F0.07) settings, the terminal is used to switch between two frequency sources.
19	UP/DOWN setting (terminal, keyboard)	When the frequency reference is the digital frequency, this terminal is used to clear the changed frequency value by terminal UP/DOWN or keyboard UP/DOWN, so that the reference frequency can recover to the set value of F0.01.
20	Run command switch terminal	When the command source is set to the terminal control (F0.11 = 1), the terminal can be used to switch between terminal control and keyboard control. When the command source is set to the communication control (F0.11 = 2), the terminal can be used to switch between communication control and keyboard control.
21	Ac/deceleration prohibited	Ensure the inverter is free from external signals affect (except for shutdown command), maintain current output frequency.
22	PID pause	PID is temporarily disabled, the inverter maintains current output frequency, no longer performs PID adjustment of frequency source.
23	PLC status reset	When PLC pauses and runs again, this terminal is used to reset the inverter to the initial state of simple PLC.
24	Wobble pause	When the inverter outputs at center frequency. Wobble will pause
25	Counter input	Input terminal of the count pulse
26	Counter reset	Clear counter status
27	Length count input	Input terminal of the length count.
28	Length reset	Clear length
29	Torque control prohibited	When the inverter torque control is prohibited, the inverter will enter speed control mode.
30	High-speed pulse input (only valid for DI5)	DI5 is used as pulse input terminal.
31	Reserve	Reserve
32	Immediately DC braking	If the terminal is active, the inverter switches

		directly to DC braking status
33	External fault normally closed input	When the signal of external fault normally closed input is inputted into the inverter, the inverter will report fault Err.15 and shutdown.
34	Frequency change enable	If the function is set to be valid, when the frequency changes, the inverter does not respond to frequency changes until the terminal state is invalid.
35	PID action direction as reverse	If the terminal is valid, PID action direction opposites to the direction set by E2.03
36	External parking terminal 1	Under keyboard control mode, the terminal can be used to stop the inverter, same as STOP key on the keyboard.
37	Control command switch terminal 2	Used to switch between terminal control and communication control. If the command source is selected as terminal control, the system will be switched to the communication control mode when the terminal is active; vice versa.
38	PID integral pause	When the terminal is active, the PID integral adjustment function is paused, but the proportion and differential adjustments of PID are still valid.
39	Switch between frequency source master setting and preset	When the terminal is active, the frequency source A is replaced with the preset frequency (F0.01)
40	Switch between frequency source auxiliary setting and preset frequency	When the terminal is active, the frequency source B is replaced with the preset frequency (F0.01)
41	Reserve	
42	Reserve	
43	PID parameter switching	When DI terminal (E2.19 = 1) is used to switch PID parameters, if the terminal is invalid, PID parameters use E2.13 to E2.15; if the terminal is valid, PID parameters use E2.16 to E2.18
44	Custom fault 1	When custom fault 1 and custom fault 2 are active, the inverter respectively alarm fault Err.27 and fault Err.28, and deals with them according to the mode selected by the fault protection action F8.19.
45	Custom fault 2	
46	Speed control / torque	Switch between speed control mode and torque



	control switching	control mode under vector control mode. If the terminal is invalid, the inverter will run at the mode defined by E0.00 (speed/torque control mode); if the terminal is valid, the inverter will be switched to another mode.
47	Emergency parking	If the terminal is valid, the inverter will park at the fastest speed, and the current maintains at the set upper limit during the parking process. This function is used to meet the requirements that the inverter needs to stop as soon as possible when the system is in a emergency state.
48	External parking terminal 2	In any control mode (keyboard control, terminal control, communication control), the terminal can be used to decelerate the inverter until stop, at the time the deceleration time is fixed for deceleration time 4.
49	Deceleration DC braking	If the terminal is valid, firstly the inverter decelerates to the initial frequency of stop DC braking, and then switches directly to DC braking status.
50	Clear current running time	If the terminal is valid, the inverter's current running time is cleared, the function needs to work with Timing run (F7.42) and current running time arrival(F7.45).
51-59	Reserve	

Table 1 Function description of multi-stage command

The 4 multi-stage command terminals can be combined as 16 status, these 16 status have 16 command set values. As shown in Table 1:

K4	K3	K2	K1	Command setting	Parameters
OFF	OFF	OFF	OFF	0-stage speed setting 0X	E1.00
OFF	OFF	OFF	ON	1-stage speed setting 1X	E1.01
OFF	OFF	ON	OFF	2-stage speed setting 2X	E1.02
OFF	OFF	ON	ON	3-stage speed setting 3X	E1.03
OFF	ON	OFF	OFF	4-stage speed setting 4X	E1.04
OFF	ON	OFF	ON	5-stage speed	E1.05

				setting 5X	
OFF	ON	ON	OFF	6-stage speed setting 6X	E1.06
OFF	ON	ON	ON	7-stage speed setting 7X	E1.07
ON	OFF	OFF	OFF	8-stage speed setting 8X	E1.08
ON	OFF	OFF	ON	9-stage speed setting 9X	E1.09
ON	OFF	ON	OFF	10-stage speed setting 10X	E1.10
ON	OFF	ON	ON	11-stage speed setting 11X	E1.11
ON	ON	OFF	OFF	12-stage speed setting 12X	E1.12
ON	ON	OFF	ON	13-stage speed setting 13X	E1.13
ON	ON	ON	OFF	14-stage speed setting 14X	E1.14
ON	ON	ON	ON	15-stage speed setting 15X	E1.15

When multi-speed is selected as frequency source, the 100.0% of function code E1.00 to E1.15 corresponds to maximum frequency F0.19. Multi-stage command is used for the function of multi-speed, also for PID reference source to meet the need to switch between different reference values.

Table 2 - function description of ac/deceleration time selection terminal

Terminal 2	Terminal 1	Ac/deceleration time selection	Parameters
OFF	OFF	Acceleration time 1	F0.13, F0.14
OFF	ON	Acceleration time 2	F7.08, F7.09
ON	OFF	Acceleration time 3	F7.10, F7.11
ON	ON	Acceleration time 4	F7.12, F7.13

F1.10	Terminal command mode	Two-wire type 1	0	0	★
		Two-wire type 2	1		
		Three-wire type 1	2		
		Three-wire type 2	3		

This parameter defines four different modes to control inverter operation through external terminals.

**0: Two-wire type 1**

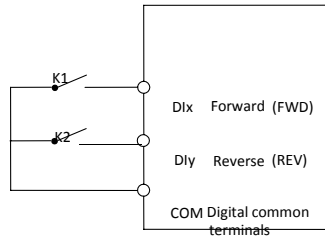
This mode is the most commonly used two-wire mode. The forward/reverse operation of motor is determined by terminal Dlx, Dly.

The terminal function is set as follows:

Terminals	Set value	Description
Dlx	1	Forward run (FWD)
Dly	2	Reverse run (REV)

Of which, Dlx and Dly are the multi-function input terminals of DI1 to DI10, the level is active.

K1	K2	Command
0	0	Stop
0	1	REV
1	0	FWD
1	1	Stop



Two-wire mode 1

**1: Two-wire type 2**

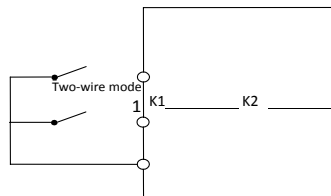
In the mode, Dlx terminal is used as running enabled, while Dly terminal is used to determine running direction.

The terminal function is set as follows:

Terminals		Set value	Description
K1	Dlx	1	Forward run (FWD)
0	Dly	2	Reverse run (REV)

Of which, Dlx and Dly are the multi-function input terminals of DI1 to DI10, the level is active.

K1	K2	Command
0	1	Stop
1	0	FWD
1	1	REV



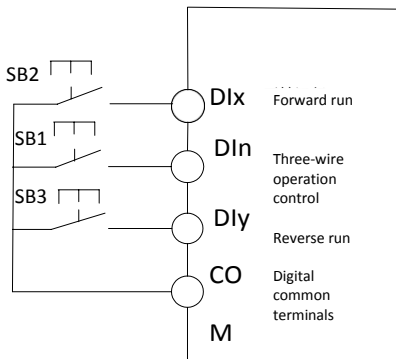
### 2: Three-wire control mode 1

In the mode, DIn is used as enabled terminal, while DIx, DIy terminal are used to control direction. The terminal function is set as follows:

Terminals	Set value	Description
DIx	1	Forward run (FWD)
DIy	2	Reverse run (REV)
DIn	3	Three-wire operation control

To run, firstly close DIn terminal, the forward or reverse of motor is controlled by the ascendant edge of DIx or DIy pulse

To stop, you must disconnect DIn terminal signals Of which, DIx, DIy and DIn are the multi-function input terminals of DI1 to DI10, DIx and DIy are for active pulse, DIn is for active level.



Of which:

SB1: Stop button SB2: Forward button SB3: Reverse button

### 3: Three-wire control mode 2

In the mode, DIn is the enabled terminal, the running commands are given by DIx, the direction is determined by the state of DIy.

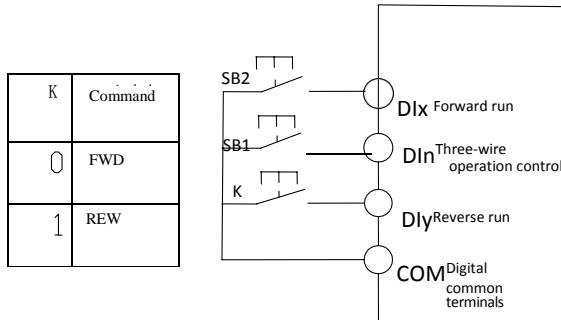
The terminal function is set as follows:

Terminals	Set value	Description
DIx	1	Forward run (FWD)
DIy	2	Reverse run (REV)
DIn	3	Three-wire operation control

To run, firstly close DIn terminal, the motor run signal is generated by the ascendant edge of DIx, the motor direction signal is generated by DIy status

To stop, you must disconnect DIn terminal signals Of which, DIx, DIy and DIn are the

multi-function input terminals of DI1 to DI10, DIx is for active pulse, DIy and DIz are for active level.



Three-wire control mode 1

Of which:

F1.11	Terminal UP / DOWN change rate	0.01Hz/s to 65.535Hz/s	1.000Hz/s	☆
<p>Used to set terminal UP/DOWN adjustment frequency, the rate of frequency change, i.e. frequency change amount per second.</p> <p>When F0.02 (frequency decimal point) is 2, the value range is 0.001Hz/s to 65.535Hz/s.</p> <p>When F0.22 (frequency decimal point) is 1, the value range is 0.01Hz/s to 655.35Hz/s.</p>				
F1.12	Minimum input value for AI curve 1	0.00V to F1.14	0.00V	☆
F1.13	Minimum input setting for AI curve 1	-100.00% to 100.0%	0.0%	☆
F1.14	Maximum input for AI curve 1	F1.12 to 10.00V	10.00V	☆
F1.15	Maximum input setting for AI curve 1	-100.00% to 100.0%	100.0%	☆

The above function codes are used to set the relationship between analog input voltage and its representatives set value.

When the analog input voltage is more than the set Maximum Input (F1.14), the analog voltage takes the Maximum Input as the calculated value, Similarly, when the analog input voltage is less than the set Minimum Input (F1.12), according to the Setting Selection For AI Less Than Minimum Input (F1.25), the analog voltage takes Minimal Input or 0.0% as the calculated value.

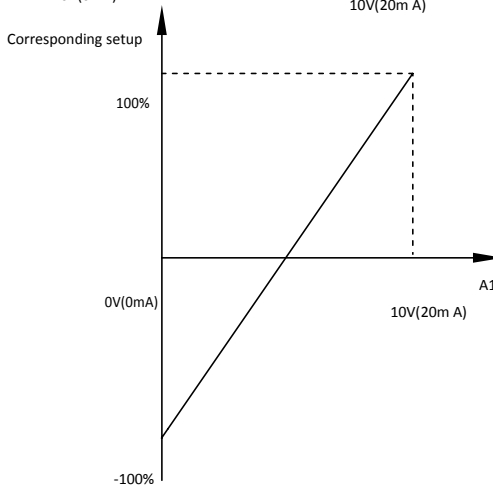
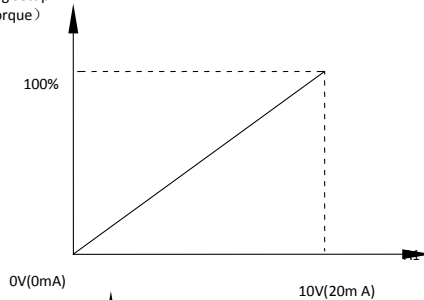
When the analog input is the current input, 1mA current is equivalent to 0.5V voltage.

AI1 input filter time is used to set AI1 software filter time, When the on-site analog quantity is easily interfered, please increase the filter time to stabilize the detected analog quantity, but the greater filter time, the slower analog detection response, the proper setting method depends on the actual application.

In the different applications, the 100.0% of analog setting vary from the meaning of its corresponding nominal value, please refer to the description of each application for details.

The two legends are for two typical settings.

Corresponding setup  
(Frequency, torque)



F1.16	Minimum input value for AI curve 2	0.00V to F1.18	0.00V	☆
F1.17	Minimum input setting for AI curve 2	-100.00% to 100.0%	0.0%	☆
F1.18	Maximum input for AI curve 2	F1.16 to 10.00V	10.00V	☆
F1.19	Maximum input setting for AI curve 2	-100.00% to 100.0%	100.0%	☆
For the function and use of curve 2, please refer to the description of curve 1.				
F1.20	Minimum input value for AI curve 3	0.00V to F1.22	0.00V	☆
F1.21	Minimum input	-100.00% to 100.0%	0.0%	☆

	setting for AI curve 3					
F1.22	Maximum input for AI curve 3	F1.20 to 10.00V	10.00V	☆		
F1.23	Maximum input setting for AI curve 3	-100.0% to 100.0%	100.0%	☆		
For the function and use of curve 3, please refer to the description of curve 1.						
F1.24	AI curve selection	Units digit	AI1 curve selection		0x321	☆
		Curve 1 (2 points, see F1.12 to F1.15)		1		
		Curve 2 (2 points, see F1.16 to F1.19)		2		
		Curve 3 (2 points, see F1.20 to F1.23)		3		
		Tens digit	AI2 curve selection (1 to 3, as above)			
Hundreds digit	Panel potentiometer curve selection (1 to 3, as above)					
<p>Units digit, tens digit and hundreds digit the function code are used to respectively select the corresponding set curves of analog input AI1, AI2, Panel potentiometer</p> <p>3 analog input can respectively select any one of 3 curves.</p> <p>Curve 1, curve 2 and curve 3 are 2-point curve, they are set in F1 function code.</p>						
F1.25	Setting selection for AI less than minimum input	Units digit	Setting selection for AI1 less than minimum input		0x00	☆
		The corresponding minimum input		0		
		0.0%		1		
		Tens digit	Setting selection for AI2 less than minimum input(0 to 1, ditto)			
Hundreds digit	Setting selection for panel potentiometer less than minimum input(0					
<p>The function code is used to set analog quantity and its corresponding setting when the analog input voltage is less than the set Minimum Input.</p> <p>Units digit, tens digit and hundreds digit the function code respectively correspond to the analog input AI1, AI2, panel potentiometer. If 0 is selected, when the analog input is less</p>						

than the Minimum Input, the setting corresponding to the analog amount is the setting of minimum input of the function code curve (F1.13, F1.17, F1.21).

If 1 is selected, when the analog input is less than the minimum input, the setting corresponding to the analog amount is 0.0%.

F1.26	Minimum pulse input frequency	0.00kHz to F1.28	0.00kHz	☆
F1.27	Minimum pulse input frequency setting	-100.0% to +100.0%	0.0%	☆
F1.28	Maximum pulse input frequency	F1.26 to +100.00kHz	50.00kHz	☆
F1.29	Maximum pulse input frequency setting	-100.0% to +100.0%	100.0%	☆

This group function code is used to set the relationship between DI5 pulse frequency and its corresponding setting.

Pulse frequency can be inputted into the inverter only through DI5 channel. The application on this group of functions is similar to curve 1, please refer to the description of curve 1.

F1.30	DI filter time	0.000s to 1.000s	0.010s	☆
-------	----------------	------------------	--------	---

Set software filter time for DI terminals status. For the application that input terminals are vulnerable to interference and cause the accidental operation, you can increase this parameter so as to enhance the anti-interference ability. However, the increase of filter time will cause DI terminal slow response.

F1.31	AI1 filter time	0.00s to 10.00s	0.10s	☆
F1.32	AI2 filter time	0.00s to 10.00s	0.10s	☆
F1.33	Filtering time of panel potentiometer	0.00s to 10.00s	0.10s	☆
F1.34	Filter time of pulse input	0.00s to 10.00s	0.10s	☆

F1.35	DI terminal valid mode selection 1	Units digit	DI1 terminal active status setting	00000	★	
		High level active				0
		Low level active				1
		Tens digit	DI2 terminal active status setting (0 to 1, as above)			
		Hundreds digit	DI3 terminal active status setting (0 to 1, as above)			
		Thousands	DI4 terminal			



		digit	active status setting (0 to 1, as above)			
		Ten thousand s digit	DI5 terminal active status setting (0 to 1, as above)			
F1.36	DI terminal valid mode selection 2	Units digit	DI6 terminal active status setting	0	★	
		High level active				0
		Low level active				1
		Tens digit	DI7 terminal active status setting (0 to 1, as above)			
		Hundreds digit	DI8 terminal active status setting (0 to 1, as above)			
		Thousands digit	DI9 terminal active status setting (0 to 1, as above)			
		Ten thousand s digit	DI10 terminal active status setting (0 to 1, as above)			
Used to set the digital input terminal active status mode. If high level is selected as active, it is active when the corresponding DI terminal and COM are connected, disconnected for inactive. If low level is selected as active, it is inactive when the corresponding DI terminal and COM are connected, disconnected for active.						
F1.37	DI1 delay time	0.0s to 3600.0s		0.0s	★	
F1.38	DI2 delay time	0.0s to 3600.0s		0.0s	★	
F1.39	DI3 delay time	0.0s to 3600.0s		0.0s	★	
Used to set the inverter's delay time for the change of DI terminal status Currently only DI1, DI2, DI3 terminals can set the delay time						

#### 5-2-4. Output terminals: F2.00-F2.19

Code	Parameter name	Setting range		Factory setting	Change Limit
F2.00	SPB terminal output mode	High-speed pulse output	0	0	☆

	selection	Switching quantity output	1	
<p>SPB terminal is a programmable complex terminals, it can be used as an output terminal of high-speed pulse, also an switching output terminal of collector open circuit.</p> <p>As a high-speed pulse output, the highest frequency of output pulse is 100kHz, please see the instructions of F2.06 for high-speed pulse output function.</p>				
F2.01	Switching quantity output function selection (collector Open circuit output)	0 to 40	0	☆
F2.02	Relay 1 output function selection (TA1.TB1.TC1)	0 to 40	2	☆
F2.03	Undefined			
F2.04	SPA output function selection (collector Open circuit output terminals)	0 to 40	1	☆
F2.05	Relay 2 output function selection (TA2.TB2.TC2)	0 to 40	4	☆

The above five function codes are used to select five digital output functions. Multifunction output terminal function is described as follows:

Set value	Function	Description
0	No output	No output action
1	Inverter in service	The inverter is in operation with output frequency (zero), and outputs ON signal.
2	Fault output (fault shutdown)	When the inverter occurs failure and stops, and outputs ON signal.
3	Frequency level detection FDT1 output	Please refer to the instructions of function code F7.23, F7.24
4	Frequency arrival	Please refer to the instructions of function code F7.25
5	Zero speed running (shutdown without output)	Outputs ON signal when the inverter is in operation with output frequency (zero) Outputs OFF signal when the inverter is in the state of stop
6	Motor overload pre- alarm	Before motor overload protection action, it will output ON signal if it exceeds the pre- alarm threshold. Please refer to function code F8.02 to F8.04. for motor overload parameter setting
7	Inverter overload pre- alarm	Outputs ON signal within 10s before inverter overload protection action
8	Set count value arrival	Outputs ON signal when the count value reaches the value set by E0.08.

9	Specified count value arrival	Outputs ON signal when the count value reaches the value set by E0.09. Please refer to the instructions of Ub group for counting function.
10	Length arrival	Outputs ON signal when the detected Actual length exceeds the set length by E0.05.
11	PLC cycle completed	Outputs a width of 250ms pulse signal when simple PLC completes a cycle
12	Cumulative running time arrival	Outputs ON signal when the inverter's cumulative running time F6.07 exceeds the set time by F7.21.
13	Frequency being limited	Outputs ON signal when the rated frequency exceeds the upper limit frequency or the lower limit frequency, and the output frequency of inverter also reaches the upper limit frequency or the lower limit frequency
14	Torque being limited	Outputs ON signal when the output torque reaches the torque limit value and the inverter is in the stall protection status under inverter speed control mode
15	Ready for operation	Outputs ON signal when the power supply of the inverter main circuit and control circuit has stabilized, and the inverter has not any fault information and is in the runnable status.
16	AI1> AI2	Outputs ON signal when the value of analog input AI1 is greater than the AI2 input value,
17	Upper limit frequency arrival	Outputs ON signal when the operating frequency reaches the upper limit frequency,
18	Lower limit frequency arrival (shutdown without output)	Outputs ON signal when the operating frequency reaches the lower limit frequency Outputs OFF signal when the inverter is in the state of stop
19	Undervoltage status output	Outputs ON signal when the inverter is in the undervoltage condition
20	Communication setting	Please refer to communication protocol.
21	Reserve	Reserve
22	Reserve	Reserve
23	Zero speed running 2 (shutdown with output)	Outputs ON signal when the inverter output frequency is 0. Outputs ON signal too when the inverter is in the state of stop
24	Accumulated power-on time arrival	Outputs ON signal when the inverter's accumulated power-on time(F6.08) exceeds the set time by F7.20.
25	Frequency level detection FDT2 output	Please refer to the instructions of function code F7.26, F7.27
26	Frequency 1 reaches output value	Please refer to the instructions of function code F7.28, F7.29

27	Frequency 2 reaches output value	Please refer to the instructions of function code F7.30, F7.31
28	Current 1 reaches output value	Please refer to the instructions of function code F7.36., F7.37
29	Current 2 reaches output value	Please refer to the instructions of function code F7.38, F7.39
30	Timer reaches output value	Outputs ON signal when timer(F7.42)is active and after the inverter's current running time reaches the set time.
31	AI1 input exceed limit	Outputs ON signal when the analog input AI1 value is greater than F7.51 (AI1 input protection upper limit) or less than F7.50 (AI1 input protection limit)
32	Load dropping	Outputs ON signal when the inverter is in the load drop status.
33	Reverse running	Outputs ON signal when the inverter is in the reverse running status.
34	Zero current status	Please refer to the instructions of function code F7.32, F7.33
35	Module temperature arrival	Outputs ON signal when the inverter module radiator temperature(F6.06)reaches the set temperature(F7.40).
36	Software current overrun	Please refer to the instructions of function code F7.34, F7.35
37	Lower limit frequency arrival(stop with output)	Outputs ON signal when the operating frequency reaches the lower limit frequency Outputs ON signal too when the inverter is in the state of stop
38	Alarm output	When the inverter occurs failure and continues to run, the inverter alarms output.
39	Reserve	
40	Current running time arrival	Outputs ON signal when the inverter's current running time exceeds the set time by F7.45.

F2.06	High-speed pulse output function	0 to 16	0	☆
F2.07	DA1 output function selection	0 to 16	0	☆
F2.08	DA2 output function selection	0 to 16	1	☆

High-speed pulse output frequency range is 0.01kHz to F2.09 (maximum frequency of high-speed pulse output), F2.09 can be set between 0.01kHz to 100.00kHz.

Analog output DA1 and DA2 output range is 0V to 10V, or 0mA to 20mA. The range of pulse output or analog output and the corresponding calibration relation are shown in the following table:

Set value	Function	Description
-----------	----------	-------------

0	Running frequency	0 to maximum output frequency
1	Set frequency	0 to maximum output frequency
2	Output current	0 to 2 times rated motor current
3	Output torque	0 to 2 times rated motor torque
4	Output power	0 to 2 times rated power
5	Output voltage	0 to 1.2 times rated inverter voltage
6	High-speed pulse input	0.01kHz to 100.00kHz
7	AI1	0V to 10V
8	AI2	0V to 10V (or 0 to 20mA)
9	Reserve	
10	Length	0 to maximum set length
11	Count value	0 to maximum count value
12	Communication setting	0.0% to 100.0%
13	Motor speed	0 to speed with maximum output frequency
14	Output current	0.0A to 100.0A (inverter power $\leq$ 55kW); 0.0A to 1000.0A (inverter power $>$ 55kW)
15	DC bus voltage	0.0V to 1000.0V
16	Reserve	

F2.09	Maximum output frequency of high-speed pulse	0.01kHz to 100.00kHz	50.00kHz	☆
-------	--	----------------------	----------	---

SPB terminal is selected as pulse output, the function code is used to select the maximum value of output pulse.

F2.10	SPB switching quantity output delay time	0.0s to 3600.0s	0.0s	☆
F2.11	Relay 1 output delay time	0.0s to 3600.0s	0.0s	☆
F2.12	Expansion DO output delay time	-100.0% to +100.0%	0.0%	☆
F2.13	SPA output delay time	0.0s to 3600.0s	0.0s	☆
F2.14	Relay 2 output delay time	0.0s to 3600.0s	0.0s	☆

Set the delay time from occurrence to Actual output for output terminal SPA, SPB, relay 1, relay 2 and expansion DO.

F2.15	DO output terminal active status selection	Units digit	SPB switching quantity active status	00000	☆
-------	--	-------------	--------------------------------------	-------	---

		Positive logic		0	
		Anti-logic		1	
		Tens digit	Relay 1 terminal active status setting (0 to 1, as above)		
		Hundreds digit	Expansion D0 terminal active status setting (0 to 1, as above)		
		Thousands digit	SPA terminal active status setting (0 to 1, as above)		
		Ten thousand s digit	Relay 2 terminal active status setting (0 to 1, as above)		

To define the output logic for output terminal SPA, SPB, relay 1, relay 2 and expansion DO .

0: positive logic

It is active status when the digital output terminal is connected with the corresponding common terminal, inactive when disconnected;

1: anti-logic

It is inactive status when the digital output terminal is connected with the corresponding common terminal, active when disconnected;

F2.16	DA1 zero bias coefficient	-100.0% to +100.0%	0.0%	☆
F2.17	DA1 gain	-10.00 to +10.00	1.00	☆
F2.18	DA2 zero bias coefficient	-100.0% to +100.0%	0.00%	☆
F2.19	DA2 gain	-10.00 to +10.00	1.00	☆

The above function codes are generally used for correcting the zero drift of analog output and the deviation of output amplitude. It also be used to custom analog output curve.

If b represents the zero-bias, k represents he gain, Y represents the Actual output and X represents standard output, then the Actual output:

$Y=kX+b$  . Which, 100% the zero-bias coefficient of DA1 , DA2 corresponds to 10V ( or 20mA), the standard output indicates the analog output amount corresponding to output 0V to 10V (or 0mA to 20mA) without zero bias and gain correction.

For example: if the analog output is the operation frequency, it is expected to output 8V with 0 frequency, and output 3V with maximum frequency, then the gain shall be set to "-0.50", zero-bias shall be set to o"80%".

### 5-2-5.Start and stop control: F3.00-F3.15

Code	Parameter name	Setting range	Factory	Change
------	----------------	---------------	---------	--------

				setting	Limit
F3.00	Start-up mode	Direct startup	0	0	☆
		Speed tracking restart	1		
		Pre-excitation start (AC asynchronous motor)	2		
<p>0: Directly startup If the start DC braking time is set to 0, the inverter starts running from the start frequency. If the start DC braking time is not set to 0, the inverter firstly performs DC braking and then starts running from the start frequency. Applicable for the small inertia load and the application that the motor may rotate when starting.</p> <p>1: Speed tracking restart The inverter firstly judges the speed and direction of motor, and then starts at the tracked motor frequency, smoothly starts the rotating motor without shocks. Applicable for the momentary power cut and restart with high inertia loads. To ensure the performance of Speed Tracking Restart, it is required to accurately set the parameters of motor b0 group.</p> <p>2: Asynchronous motor pre-excitation start It is valid only for asynchronous motors, used to firstly create magnetic field before the motor running. Please refer to the instructions of function code F3.05, F3.06 for pre-excitation current and pre-excitation time</p> <p>If the pre-excitation time is set to 0, the inverter will cancel the pre-excitation process, and starts from the start frequency. If the pre-excitation time is not set to 0, the inverter will firstly perform pre-excitation process and then starts so as to improve the dynamic response performance of motor.</p>					
F3.01	Speed tracking mode	Start from stop	0	0	★
		Start from zero speed	1		
		Start from maximum frequency	2		
<p>For the shortest time to complete the process of speed tracking, select the speed mode for inverter tracking motor :</p> <p>0: track downward from the frequency that power outage happens Usually select this mode.</p> <p>1: track upward from 0 frequency For the case that power outage is for longer time and then restarts.</p> <p>2: track downward from maximum frequency For the general power generation load.</p>					
F3.02	Speed tracking value	1 to 100		20	☆
<p>When performing speed tracking restart, select speed tracking value. The larger the parameter value, the faster tracking. But if the value is set to too large, which may cause tracking unreliable.</p>					
F3.03	Start frequency	0.00Hz to 10.00Hz		0.00Hz	☆
F3.04	Hold time for start frequency	0.0s to 100.0s		0.0s	★
<p>When the inverter starts, firstly run at the start frequency, the running time is the hold time for start frequency, afterwards run at the frequency reference.</p> <p>The start frequency F3.03 is not limited by the lower limit frequency. But if the set target frequency is less than the start frequency, the inverter does not start and keeps in</p>					

standby state.

The hold time for start frequency is inactive when switching between forward rotation and reverse rotation. The hold time for start frequency is not included in the acceleration time, but the simple PLC run-time. Example 1:

F0.03=0 the frequency source is set to digital reference

F0.01=2.00Hz the digital set frequency is 2.00Hz

F3.03=5.00Hz the start frequency is 5.00Hz

F3.04=2.0s the hold time for start frequency is 2.0s, at this time, the inverter will be in the standby state with the output frequency of 0.00Hz.

Example 2:

F0.03=0 the frequency source is set to digital reference

F0.01=10.00Hz the digital set frequency is 10.00Hz

F3.03=5.00Hz the start frequency is 5.00Hz

F3.04=2.0s the hold time for start frequency is 2.0s

At this point, the inverter accelerates to 5.00Hz for 2.0s, and then accelerates to the reference frequency of 10.00Hz.

F3.05	Start DC braking current/pre-excitation current	0% to 100%	0%	★
F3.06	Start DC braking time/pre-excitation	0.0s to 100.0s	0.0s	★

Start DC braking, generally is used to stop and then restart the motor. Pre-excitation is used to create magnetic field for asynchronous motor and then start the motor to improve the response speed.

Start DC braking is only active when the start mode is the direct startup. The inverter firstly performs DC braking at the set start DC braking current, after the start DC braking time is passed, and then start running. If the DC braking time is set to 0, the inverter will directly start and neglect DC braking. The larger DC braking current, the greater braking force.

If the startup mode is the asynchronous motor pre-excitation start, the inverter firstly creates magnetic field at the preset pre-excitation current, after the set pre-excitation time is passed and then start running. If the pre-excitation time is set to 0, the inverter will directly start and neglect pre-excitation.

Start DC braking current/pre-excitation current is the percentage of inverter rated current.

F3.07	Stop mode	Deceleration parking	0	0	☆
		Free stop	1		

When the inverter receives the "stop" command, the inverter will set up the motor stop mode according to the parameter.

0: Deceleration parking mode

The inverter will decelerates to the lowest frequency until stop according to the set deceleration time and mode.

1: Free stop mode

When the inverter receives the "stop" command, it immediately stops output and the motor freely run until stop under the action of inertia.

F3.08	Initial frequency of stop DC braking	0.00Hz to F0.19 (maximum frequency)	0.00Hz	☆
-------	--------------------------------------	-------------------------------------	--------	---



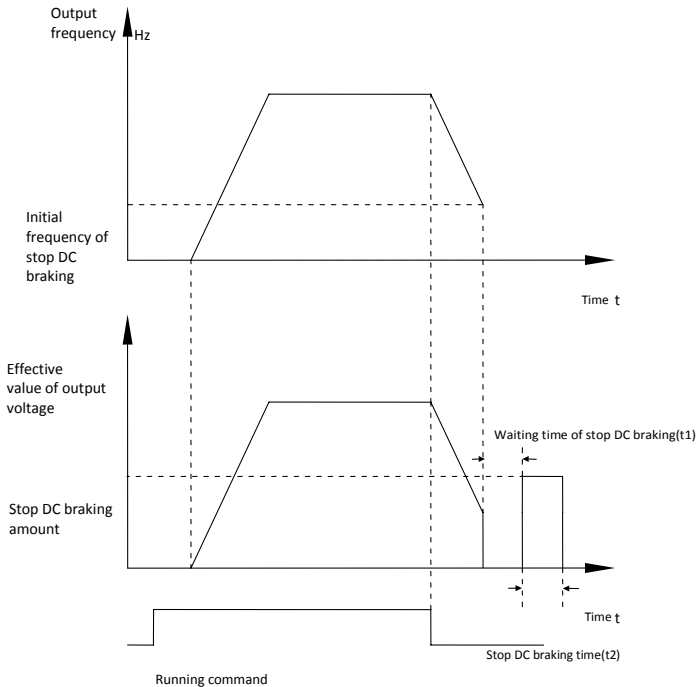
F3.09	Waiting time of stop DC braking	0.0s to 100.0s	0.0s	☆
F3.10	Stop DC braking current	0% to 100%	0%	☆
F3.11	Stop DC braking time	0.0s to 100.0s	0.0s	☆

Initial frequency of stop DC braking: if the operating frequency is reduced to the initial frequency when decelerating, DC braking process is started.

Waiting time of stop DC braking: if the operating frequency is reduced to the said initial frequency, the inverter firstly stops output for some time, and then DC braking process is started. In order to prevent overcurrent fault that DC braking may cause at the higher speeds.

Stop DC braking current: it indicates the percentage of the DC braking output current in the rated motor current. The larger this value, the stronger the DC braking effect, but the greater the heat of the motor and the inverter.

Stop DC braking time: If this value is 0, DC braking process is canceled. Please see the schematic diagram for the DC braking process.



Schematic diagram of stop DC braking time

F3.12	Dynamic braking utilization rate	0% to 100%	100%	
-------	----------------------------------	------------	------	--

Effective only for the inverter with built-in braking unit.

Due to the duty cycle of braking unit is adjusted, if the braking use rate is high, the duty cycle of braking unit is high, the braking effect is stronger, but the inverter's bus voltage

fluctuation is larger during the braking process .

F3.13	Ac/deceleration mode	Linear acceleration and deceleration	0	0	★
		S curve acceleration and deceleration A	1		
		S curve acceleration and deceleration B	2		

Select the frequency change mode in the process of start/stop. 0: Linear acceleration and deceleration

The output frequency increases or decreases linearly. PI9000 provides four kinds of acceleration and deceleration time. You can select by the multi-function digital input terminals (F1.00 to F1.08).

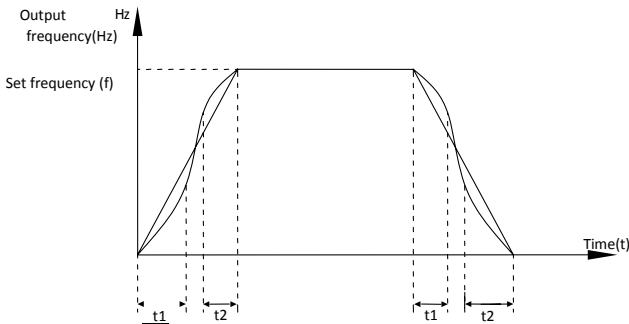
1: S curve acceleration and deceleration A

The output frequency increases or decreases at the S curve. S-curve is used for the occasion that requires to gently start or stop, such as elevators, conveyor belts, etc.. The function code F3.14 and F3.15 respectively defined the proportion of S curve start-section and the proportion of S curve end-section

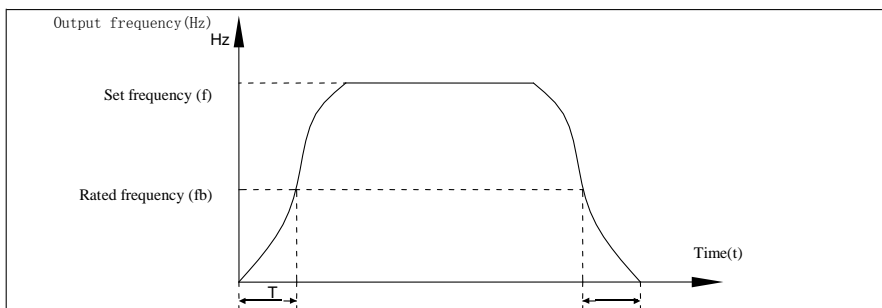
2: S curve acceleration and deceleration B

In the mode of S curve acceleration and deceleration B, the motor rated frequency  $f_b$  is always the inflection point of S curve. Usually used for the occasion of high-speed regional above the rated frequency that requires rapid acceleration and deceleration

F3.14	Proportion of S curve start-section	0.0% to (100.0% to F3.15)	30.0%	★
F3.15	Proportion of S curve end-section	0.0% to (100.0% to F3.14)	30.0%	★



Schematic diagram of S curve ac/deceleration A



Schematic diagram of S curve ac/deceleration B

The function code F3.14 and F3.15 respectively defined the proportion of start-section and the proportion of end-section for S curve acceleration and deceleration A, the two function code must meet:  $F3.14 + F3.15 \leq 100.0\%$ .

In the Figure S-curve acceleration and deceleration A of,  $t_1$  is the time parameter defined by F3.14, the slope of the output frequency variation during this period is gradually increasing.  $t_2$  is the time parameter defined by F3.15, the slope of the output frequency variation during the period is gradually changed to 0. Within the time between  $t_1$  and  $t_2$ , the slope of the output frequency variation is fixed, i.e. the linear acceleration and deceleration is achieved in this interval.

### 5-2-6.V/F control parameters: F4.00-F4.14

This group of function code is only valid to V/F control, invalid to vector control.

V/F control is suitable for fans, pumps and other universal loads, or one inverter with multiple motors, or for the applications that inverter power is significantly different from the motor power.

Code	Parameter name	Setting range		Factory setting	Change Limit
F4.00	V/F curve setting	Linear V/F	0	0	★
		Multi-point V/F	1		
		Square V/F	2		
		1.2th power V/F	3		
		1.4th power V/F	4		
		1.6th power V/F	6		
		1.8th power V/F	8		
		Reserve	9		
		V/F completely separate	10		
		V/F half separate	11		

0: linear V/F

Suitable for ordinary constant torque load.

1: multi-point V/F

Suitable for dehydrator, centrifuge and other special loads any V/F relationship curves can be obtained by setting parameters F4.03 to F4.08.

2: square V/F

Suitable for fans, pumps and centrifugal loads.

3 to 8: V/F relationship curve between linear V/F and square V/F.

10:VF separate completely mode. In this mode, the output frequency and output voltage is separated completely, no any relationship at all, the output frequency controlled by frequency source setting , but output voltage determined by F4.12 setting.(V/F separate voltage supply source )

V/F separated completely mode can suitable for in inductive heating, inverter power supply, torque motor, etc applications.

11: V/F semi-separate mode.

V is proportional to F in this mode, but the proportional relationship can be set by F4.12 parameters, furthermore, the V and F proportion also relate to rated voltage of motor and rated frequency in b0 group.

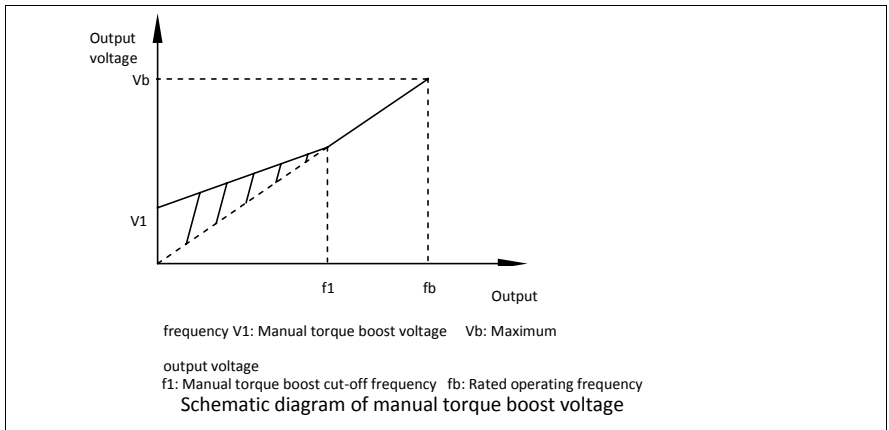
Assume that input voltage source is X ( X value range from 0~100%), the output voltage V and output frequency F proportion relationship can be defined as :  $V/F=2*X*$   
(rated voltage of motor) / (rated frequency of motor)

F4.01	Torque boost	0.0%: automatic torque boost 0.1% to 30.0%	4%	★
F4.02	Torque boost cut-off frequency	0.00Hz to F0.19 (maximum frequency)	15.00Hz	★

Torque boost is mainly used to improve the characteristics of the torque low-frequency under V/F control mode. If the torque boost is too low, the motor will work at the lower speed and power. If the torque boost is too high, the motor will run with overexcitation, the inverter's output current increases and the efficiency is reduced.

It is recommended to increase this parameter when the motor works with heavy load but without enough torque. The torque boost can be reduced when the load is lighter. When the torque boost is set to 0.0, the inverter will automatically perform torque boost, the inverter can automatically calculates the required torque boost value according to the motor stator resistance parameters.

Torque boost cutoff frequency: torque boost is valid below this frequency, invalid above the set frequency.



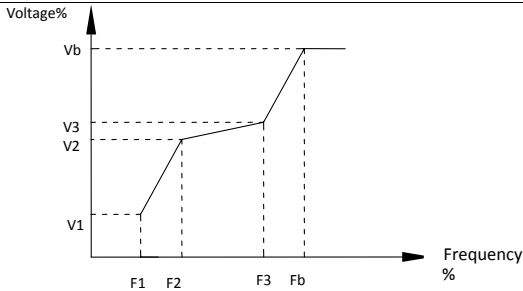
F4.03	Multi-point V/F frequency point F1	0.00Hz to F4.05	0.00Hz	★
F4.04	Multi-point V/F voltage point V1	0.0% to 100.0%	0.0%	★
F4.05	Multi-point V/F frequency point F2	F4.03 to F4.07	0.00Hz	★
F4.06	Multi-point V/F voltage point V2	0.0% to 100.0%	0.0%	★
F4.07	Multi-point V/F frequency point F3	F4.05 to b0.04(rated motor	0.00Hz	★
F4.08	Multi-point V/F voltage point V3	0.0% to 100.0%	0.0%	★

F4.03 to F4.08 six parameters are used to define multi-point V/F curve.

The multi-point V/F curve is set according to the load characteristics of motor, please be noted that the relationship between three voltage points and three frequency points must meet:  $V1 < V2 < V3$ ,  $F1 < F2 < F3$ . The setting of multi-point V/F curve is as shown in below figure.

In the sate of low frequency, if the voltage is set to a higher value, which may cause motor overheating even burned, the inverter may appear overcurrent stall or overcurrent protection.





V1-V3: Voltage percentage of stage 1-3 to multi-speed V/F F1-F3: Frequency percentage of stage 1-3 to multi-speed V/F Vb: Rated motor voltage Fb: Rated motor operating frequency

Schematic diagram of multi-point V/F curve setting

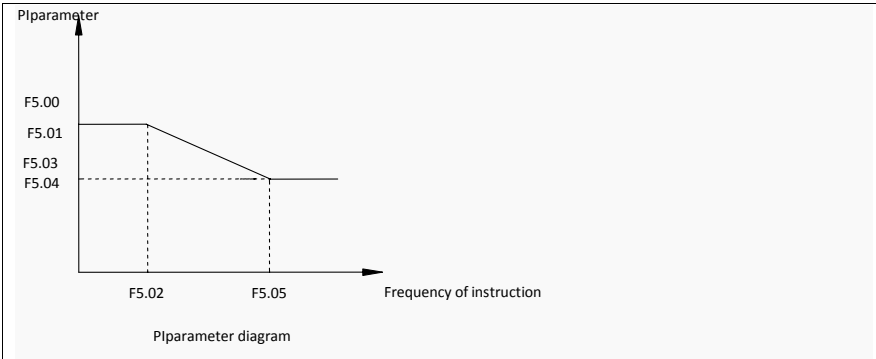
F4.09	V/F slip compensation gain	0% to 200.0%	0.0%	☆
<p>This parameter is valid only for asynchronous motors.</p> <p>V/F slip compensation can compensate for the speed deviation of asynchronous motor when the load increases, so as to keep stable speed when the load changes.</p> <p>If V/F slip compensation gain is set to 100.0%, it means that the compensated deviation is equal to the rated motor slip under the rated motor load mode, while the rated motor slip can be calculated through b0 group of motor rated frequency and rated speed.</p> <p>When adjusting V/F slip compensation gain, generally it is based on the principle that the motor speed is same as the target speed. When the motor speed is different from target value, it is necessary to appropriately fine-tune the gain.</p>				
F4.10	V/F overexcitation gain	0 to 200	64	☆
<p>In the process of the inverter's deceleration, the over-excitation control can suppress the rise of bus voltage to avoid overvoltage fault. The greater overexcitation gain, the stronger the inhibitory effect.</p> <p>For the occasions that the inverter's deceleration easily cause over pressure alarm, the overexcitation gain needs to be improved. But if overexcitation gain is too large, which easily lead to the increase of output current, you need to weigh in practical applications.</p> <p>For the small inertia occasions that the inverter's deceleration will not cause voltage rise, it is recommended to set overexcitation gain as 0; the set value is also suitable for the occasions with braking resistor.</p>				
F4.11	V/F oscillation suppression gain	0 to 100	-	☆
<p>The method of selecting gain is take the value as smaller as possible with the premise that effectively suppressing oscillation, in order to avoid the adverse affect caused by V/F running. Please select 0 as the gain when the motor has not oscillation phenomenon. Only increase gain value when the motor has obvious oscillation, the greater gain, the more obvious the suppression of oscillation.</p> <p>When using the function of oscillation suppression, which requires that the motor's rated current and no-load current parameters must be accurate, otherwise V/F</p>				

suppression is ineffective.					
F4.12	V/F separation voltage source	Digital setting(F4.13)	0	0	☆
		AI1	1		
		AI2	2		
		Panel potentiometer	3		
		PULSE pulse setting(DI5)	4		
		Pieces of instruction	5		
		Simple PLC	6		
		PID	7		
		Communications given	8		
		100.0% Corresponding to the motor rated voltage ( b0.02 )			
F4.13	V/F separation voltage digital	0V to rated motor voltage	0V	☆	
F4.14	V/F separation voltage rise time	0.0s to 1000.0s	0.0s	☆	

### 5-2-7.Vector control parameters: F5.00-F5.15

F5 function code is only valid to vector control, invalid to V/F control

Code	Parameter name	Setting range	Factory setting	Change Limit
F5.00	Speed loop low low P	1~100	30	☆
F5.01	Speed loop low integral time	0.01s~10.00s	0.50s	☆
F5.02	Speed loop low switching frequency	0.00~F5.05	5.00Hz	☆
F5.03	Speed loop high P	1~100	20	☆
F5.04	Speed loop high integral time	0.01s~10.00s	1.00s	☆
F5.05	Speed loop high switching frequency	F5.02~F0.19(max frequency)	10.00Hz	☆



Converter operating in different frequency, can choose different speed ring PI parameters. Operating frequency is less than the speed ring low switching frequency (F5.02), speed ring PI control parameters for F5.00 and F5.01. Operating frequency is greater than the speed loop, high speed switching frequency (F5.05), speed in PI control parameters for F5.03 and F5.04. Speed ring low switching frequency and speed ring high speed switching frequency speed loop between the PI parameters, for the two groups of PI parameter linear switching, as shown in figure:

Through the set speed regulator proportion coefficient and the integral time, can adjust the speed of the vector control dynamic response characteristics.

Gain take large, quick response, but will produce oscillation; Gain take hours, response lag.

Integral time is too large, slow response, external interference control variation; Integral time hours, reaction speed, small happen oscillation.

Set this value to considering the control stability and response speed, if the factory parameters can't meet the requirements in the factory value based on parameter adjustment, first increase proportion gain to ensure that the system is not oscillation; Then reduced integration time, make the system has faster response, small overshoot and.

*Note: if the PI parameters Settings, may lead to excessive speed overshoot. Even*

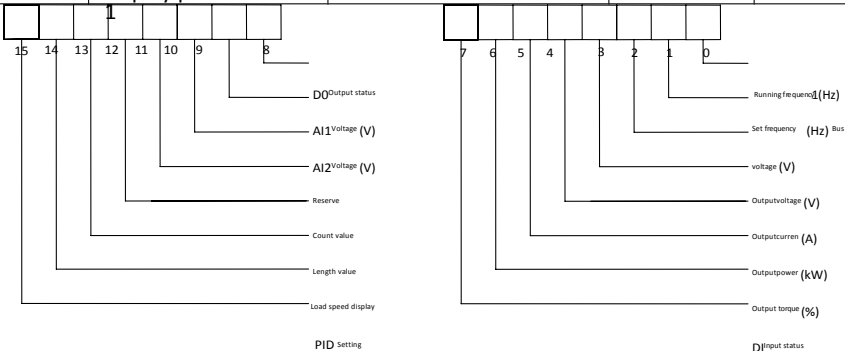
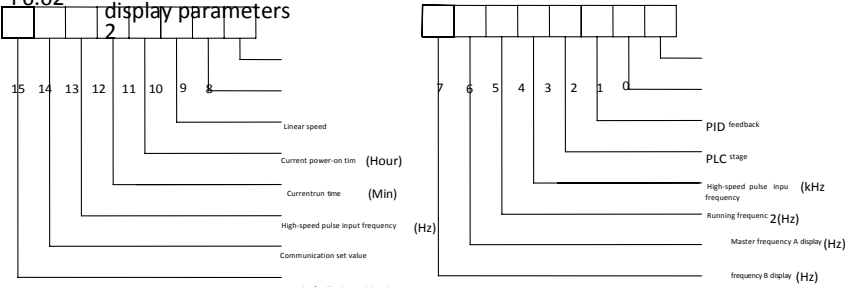
F5.06	Speed loop integral attribute	invalid	0	0	☆
		valid	1		
F5.07	Torque limit source under speed control mode	Function code F5.08 setting	0	0	☆
		AI1	1		
		AI2	2		
		Panel potentiometer	3		
		High-speed pulse setting	4		
		Communication setting	5		



		Min(AI1, AI2)	6	
		Max(AI1, AI2)	7	
F5.08	Upper limit digital setting for lower torque under speed control mode	0.0% to 200.0%	150.0%	☆
<p>In speed control mode, the maximum value of inverter output torque is controlled by the torque upper limit source.</p> <p>F5.07 is used to select the setting source of torque upper limit, when it is set by analog, high-speed pulse or communication, the set 100% corresponds to F5.08, the 100% of F5.08 is the inverter's rated torque.</p>				
F5.09	Vector control differential gain	50% to 200%	150%	☆
<p>For the sensorless vector control, the parameter can be used to adjust the motor speed and stability: if the speed of motor with load is low, increases the parameter and vice versa decreases.</p>				
F5.10	Speed loop filter time constant	0.000s to 0.100s	0.000s	☆
<p>Under vector control mode, properly increases the filter time when speed fluctuate wildly; but do not excessively increases, or the lag effect will cause shock.</p>				
F5.11	Vector control overexcitation gain	0 to 200	64	☆
<p>In the process of the inverter's deceleration, the over-excitation control can suppress the rise of bus voltage to avoid overvoltage fault. The greater overexcitation gain, the stronger the inhibitory effect.</p> <p>For the occasions that the inverter's deceleration easily cause over pressure alarm , the overexcitation gain needs to be improved. But if overexcitation gain is too large, which easily lead to the increase of output current, you need to weigh in practical applications.</p> <p>For the small inertia occasions that the inverter's deceleration will not cause voltage rise, it is recommended to set overexcitation gain as 0 ; the set value is also suitable for the occasions with braking resistor.</p>				
F5.12	Excitation regulator proportional gain	0 to 60000	2000	☆
F5.13	Excitation regulator integral gain	0 to 60000	1300	☆
F5.14	Torque regulator proportional	0 to 60000	2000	☆
F5.15	Torque regulator integral gain	0 to 60000	1300	☆
<p>The regulator parameters of vector control current loop PI, the parameter will be obtained automatically after performing asynchronous motor parameters comprehensive auto tuning or synchronous motor parameters comprehensive auto tuning and generally do not need to modify it.</p>				

It is reminded that the dimension that this current loop integral gain adopted is not the integration time, but the direct set integral gain. Therefore, if the setting of current loop PI gain is too large, which may cause the oscillation of entire control loop, in the event of oscillation, you can manually reduce PI proportional gain and integral gain.

**5-2-8.Keyboard and display: F6.00-F6.11**

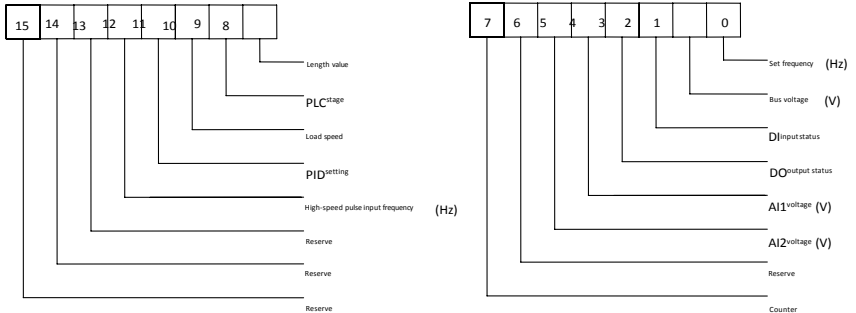
Code	Parameter name	Setting range	Factory setting	Change limits
F6.00	STOP/RESET key functions	STOP/RESET key is enabled only under keyboard operation mode STOP/RESET key is enabled under any operation mode	0 1	☆
F6.01	Running status display parameters	0000 to FFFF	1F	☆
				
<p>If the above parameters need to be displayed in operation, firstly set its position to 1, and then set at F6.01 after converting the binary number to the hexadecimal number.</p>				
F6.02	Running status display parameters	0 to FFFF	0000	☆
				

If the above parameters need to be displayed in operation, firstly set its position to 1, and then set at F6.02 after converting the binary number to the hexadecimal number.

Running status display parameters, which is used to set the parameters that can be viewed when the inverter is in operation.

There are 32 parameters available for viewing, select desired status parameters according to F6.01, F6.02 binary parameter values, the display order starts from the lowest level of F6.01.

F6.03	Stop status display parameters	0000 to FFFF	33	☆
-------	--------------------------------	--------------	----	---



If the above parameters need to be displayed on operation, firstly set its position to 1, and

F6.04	Load speed display coefficient	0.0001 to 6.5000	1.0000	☆
-------	--------------------------------	------------------	--------	---

When load speed needs to be displayed, adjust the inverter's output frequency and load speed by using the parameter.

F6.05	Decimal places for load speed display	0 decimal place	0	0	☆
		1 decimal place	1		
		2 decimal places	2		
		3 decimal places	3		

Decimal places for load speed display The below example illustrates the calculation of load speed:

If the load speed coefficient(F6.04) is 2.000, the number of decimal places of load speed(F6.05) is 2 (two decimal places), when the inverter operating frequency reaches 40.00Hz, the load speed is :  $40.00 * 2.000 = 80.00$  (2 decimal places display)

If the inverter is shutdown, the load speed displays the speed relative to the set frequency, that is the "set load speed". If the set frequency is 50.00Hz, the load speed under the state of shutdown:  $50.00 * 2.000 = 100.00$  (2 decimal places display)

F6.06	Inverter module radiator	0.0°C to 100.0°C	-	●
-------	--------------------------	------------------	---	---

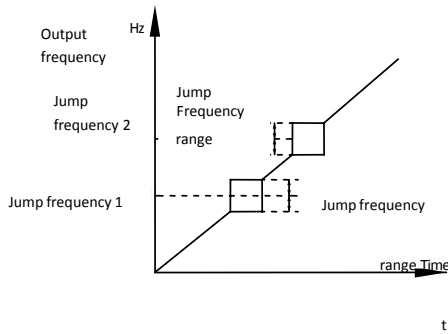
Display the inverter module IGBT temperature  
The different models of the inverter module vary IGBT overtemperature protection values.

F6.07	Total run time	0h to 65535h	-	●
Display the total run time of inverter When the run time reaches the set time(F7.21), the inverter's multi-function digital output function (12) outputs ON signal.				
F6.08	Total power-on time	0 to 65535 h	-	●
F6.09	Total power	0 to 65535 kwh	-	●
Display the total power consumption of inverter to date until now				
F6.10	Part number	Inverter product number	-	●
F6.11	Software version number	Control panel software version number	-	●
F6.12~F6.14	Reserve			
F6.15	Keyboard type selection	0:keypad (single row LED) 1:big keyboard (double row LED)	0	●

### 5-2-9.Auxiliary function: F7.00-F7.51

Code	Parameter name	Setting range	Factory setting	Change Limit
F7.00	Jog running frequency	0.00Hz to F0.19 (maximum frequency)	2.00Hz	☆
F7.01	Jog acceleration time	0.0s to 6500.0s	20.0s	☆
F7.02	Jog deceleration time	0.0s to 6500.0s	20.0s	☆
Defined the inverter's reference frequency and ac/deceleration time when jogging In operation of Jog, the startup mode is fixed as direct startup mode (F3.00 = 0), the shutdown mode is fixed as deceleration parking mode (F3.07 = 0).				
F7.03	Terminal jog priority	Invalid	0	☆
		Valid	1	
This parameter is used to set whether the priority of terminal jog function is active or not. When it is set to active, if the terminal jog command is received by inverter in operation, the inverter will change to jog running status.				
F7.04	Jump frequency 1	0.00Hz to F0.19(maximum frequency)	0.00Hz	☆
F7.05	Jump frequency 2	0.00Hz to F0.19(maximum frequency)	0.00Hz	☆
F7.06	Jump frequency range	0.00Hz to F0.19(maximum frequency)	0.00Hz	☆
When the set frequency is in the jump frequency range, the Actual operating frequency will run at the jump frequency close from the set frequency . The inverter can avoid mechanical resonance point of load by setting jump frequency.				

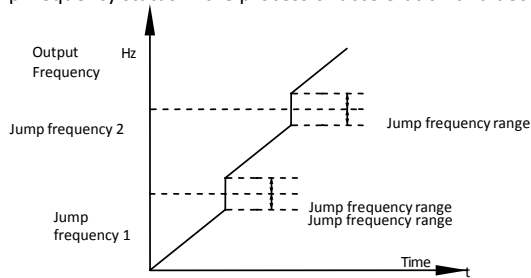
PI9000 can set two jump frequency points, if the two jump frequencies are set to 0, the jump frequency function will be canceled. For the principle schematic of jump frequency and its range, please refer to the following figure.



F7.07	Jump frequency availability during ac/deceleration process	Invalid	0	☆
		Valid	1	

The function code is used to set whether the jump frequency is active or not in the process of acceleration and deceleration.

If it is set to active, when the operating frequency is in the jump frequency range, the Actual operating frequency will skip the set jump frequency boundary. The below figure below shows the jump frequency status in the process of acceleration and deceleration.



Schematic diagram of jump frequency availability in the process of acceleration and deceleration.

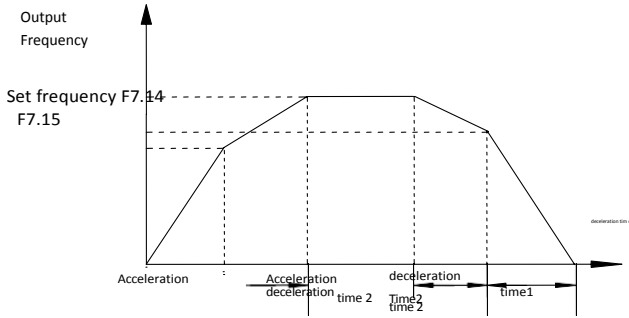
F7.08	Acceleration time 2	0.0s to 6500.0s	-	☆
F7.09	Deceleration time 2	0.0s to 6500.0s	-	☆
F7.10	Acceleration time 3	0.0s to 6500.0s	-	☆
F7.11	Deceleration time 3	0.0s to 6500.0s	-	☆
F7.12	Acceleration time 4	0.0s to 6500.0s	-	☆
F7.13	Deceleration time 4	0.0s to 6500.0s	-	☆

PI9000 provides 4 groups of deceleration time, respectively F0.13\F0.14 and the above 3 groups of deceleration time.

The 4 groups of deceleration time are defined exactly the same, please refer to the instructions of F0.13 and F0.14. The 4 groups of deceleration time can be switched through different combinations of the multi-function digital input terminal DI, please refer to the instructions of function code F1.00 to F1.07 in the attachment 2 for the detailed application methods .

F7.14	Switching frequency point between acceleration time 1 and acceleration time 2	0.00Hz F0.19(maximum frequency)	to	0.00Hz	☆
F7.15	Switching frequency point between deceleration time 1 and deceleration time 2	0.00Hz F0.19(maximum frequency)	to	0.00Hz	☆

The function is active when motor 1 is selected and DI terminal is not selected to switch between ac/deceleration. It is used to automatically select ac/deceleration time by not DI terminal but the operating frequency range when the inverter is running.



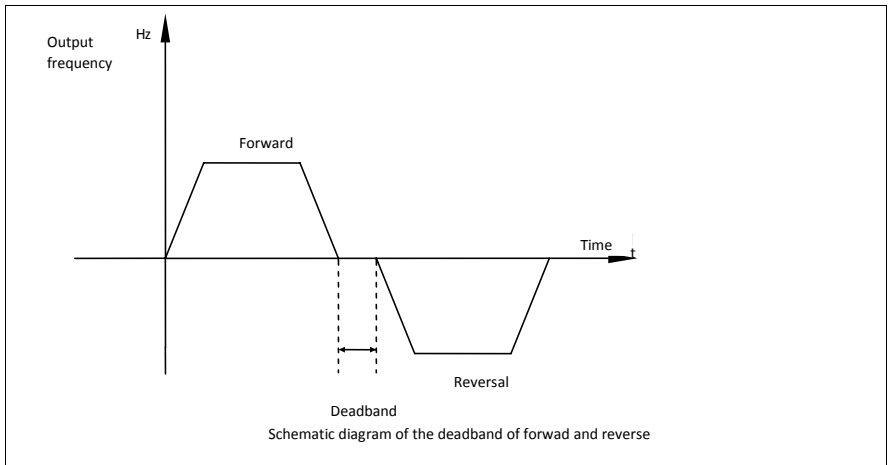
Schematic diagram of switching between acceleration and deceleration

For the above figure in the process of acceleration, if the operating frequency is less than F7.14, select acceleration time 1; otherwise select acceleration time 2.

For the above figure in the process of deceleration, if the operating frequency is more than F7.15, select deceleration time 1; otherwise select deceleration time 2.

F7.16	Forward/reverse rotatio	0.00s to 3600.0s	0.0s	☆
-------	----------------------------	------------------	------	---

It is the waiting time that the inverter reaches zero speed when the parameter is used to switch between forward and reverse rotation.



F7.17	Reverse rotation control	Allow	0	0	☆
		Prohibit	1		

For certain production equipments, the reverse rotation may result in damage to the equipment, the function can disable the reverse rotation. The factory default allows reverse rotation.

F7.18	Set frequency lower than lower limit frequency mode	Running at lower limit frequency	0	0	☆
		Stop	1		
		Zero speed running	2		

When the set frequency is lower than the lower limit frequency, the inverter operating status can be selected through the parameter. PI9000 provides three modes of operation to meet the needs of a variety of applications.

F7.19	Droop control	0.00Hz to 10.00Hz	0.00Hz	☆
-------	---------------	-------------------	--------	---

This function is generally used for the load distribution that multiple motors drag the same one load.

The droop control means that the inverter output frequency is decreased as the load is increased, so that when multiple motors drag(work for)the same one load, each motor's output frequency much drops, which can reduce the load of the motor to balance evenly multiple motors' load .

This parameter means the decreased value of output frequency when the inverter outputs the rated load.

F7.20	Setting cumulative power-on arrival time	0h to 36000h	0h	☆
-------	--	--------------	----	---

When the total power-on time(F6.08) reaches the time set by F7.20, the inverter multifunction digital DO outputs ON signal.

F7.21	Setting cumulative running arrival time	0h to 36000h	0h	☆
-------	---	--------------	----	---

Used to set the running time of inverter.  
When the total power-on time(F6.07) reaches the set timeF7.21, the inverter

multifunction digital DO outputs ON signal.

F7.22	Start protection	OFF	0	0	☆
		ON	1		

This parameter relates to the security features of the inverter

If this parameter is set to 1, and if the running command is active (e.g. the terminal running command is closed before power-on) when the inverter is in power-on, the inverter will not respond to the running command, you must firstly cancel the running command, when the running command is active again, the inverter will respond.

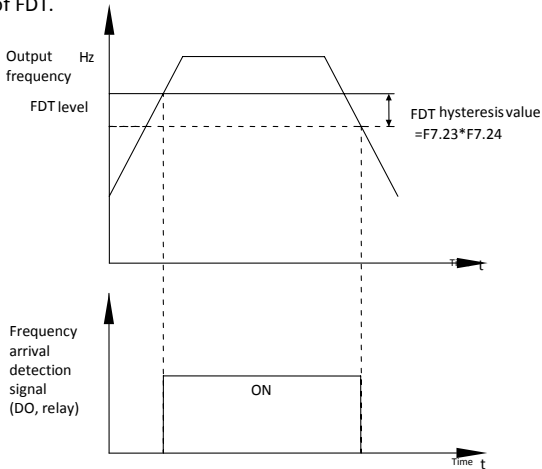
In addition, if the parameter is set to 1, and if the running command is active when the inverter resets fault, the inverter will not respond to the running command, you must firstly cancel the running command in order to eliminate running protection status.

The parameter is set 1, you can prevent the danger caused by that the inverter unknowingly responds to the running command in the event of power on and fault reset.

F7.23	Frequency detection value (FDT1)	0.00Hz to F0.19(maximum frequency)	50.00Hz	☆
F7.24	Frequency detection hysteresis value (FDT1)	0.0% to 100.0% (FDT1 level)	5.0%	☆

The inverter's multifunction output DO will output ON signal when the operating frequency is higher than the detected value, conversely DO output ON signal is canceled.

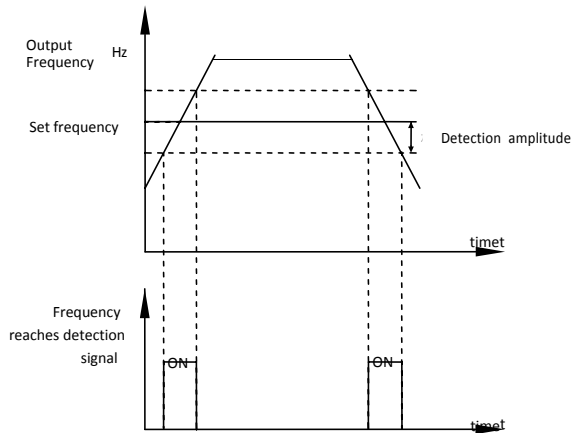
The above parameters is used to set the detected value of output frequency, and the hysteresis value after the output is canceled. Of which, F7.24 is the percentage of the hysteresis frequency in the detected value(F7.23). The below figure is the schematic diagram of FDT.



Schematic diagram of FDT level

F7.25	Frequency reaches detection width	0.00 to 100% maximum frequency	0.0%	☆
-------	-----------------------------------	--------------------------------	------	---



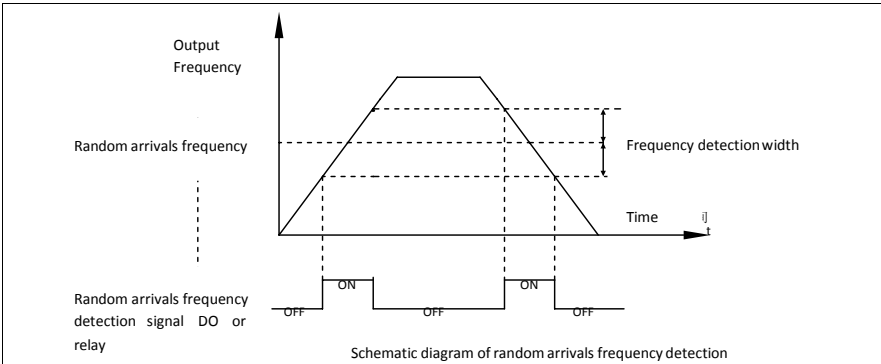


Schematic diagram of frequency arrival detection amplitude

The inverter's multifunction output DO will output ON signal when the inverter's operating frequency is in a certain range of target frequency

This parameter is used to set the frequency arrival detection range, the parameter is the percentage of maximum frequency. The above figure is the schematic diagram of frequency

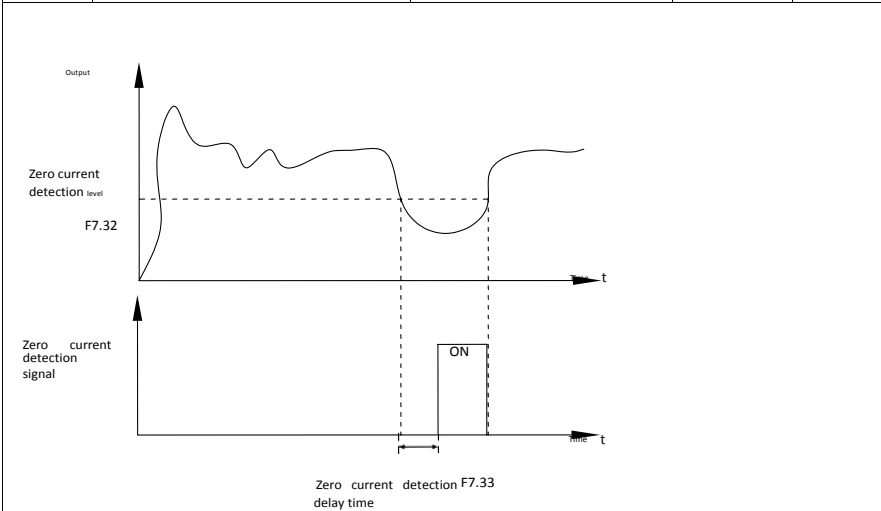
F7.26	Frequency detection value (FDT2)	0.00Hz to F0.19 (maximum frequency)	50.00Hz	☆
F7.27	Frequency detection hysteresis value (FDT2)	0.0% to 100.0% (FDT2 level)	5.0%	☆
The frequency detection function is same as FDT1 exactly, please refer to the instructions of FDT1 or function codes F7.23, F7.24.				
F7.28	Random arrivals frequency detection value 1	0.00Hz to F0.19 (maximum frequency)	50.00Hz	☆
F7.29	Random arrivals frequency detection width 1	0.00% to 100.0% (maximum frequency)	0.0%	☆
F7.30	Random arrivals frequency detection value 2	0.00Hz to F0.19 (maximum frequency)	50.00Hz	☆
F7.31	Random arrivals frequency detection width 2	0.00% to 100.0% (maximum frequency)	0.0%	☆



When the inverter's output frequency randomly reaches the range of the detected value(positive or negative), the multi-function DO will output ON signal.

PI9000 provides two groups of parameter to set frequency value and frequency

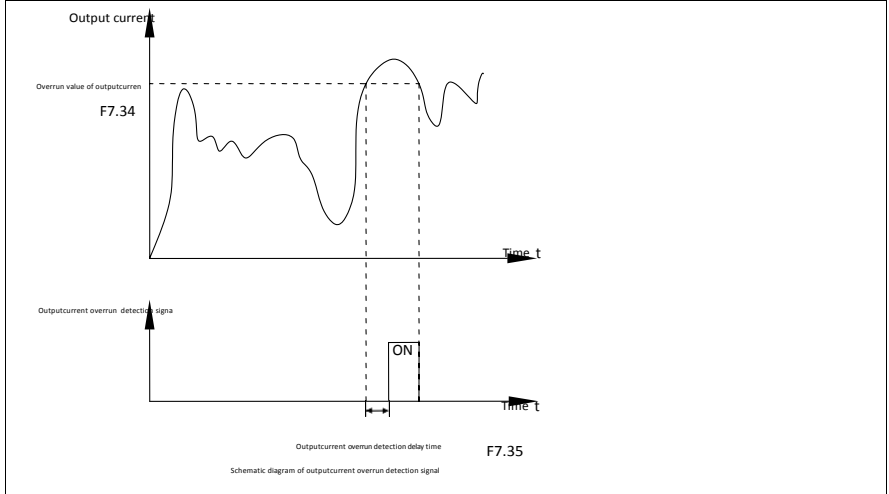
F7.32	Zero current detection level	0.0% to 300.0% (rated motor current)	5.0%	☆
F7.33	Zero current detection delay time	0.01s to 360.00s	0.10s	☆



When the inverter's output current is less than or equal to zero current detection level and lasts for longer than the delay time of zero-current detection, the inverter's

F7.34	Overrun value of output current	0.0% (not detected) 0.1% to 300.0% (rated motor current)	200.0%	☆
F7.35	Output Current overrun	0.01s to 360.00s	0.00s	☆

detection delay time

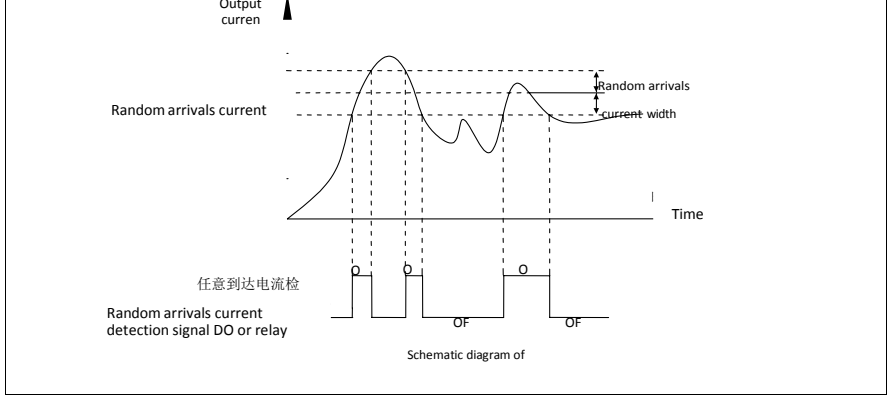


When the inverter's output current is more than or overrun the detection point and lasts for longer than the delay time of software overcurrent point detection, the inverter's

F7.36	Random arrivals current 1	0.0% to 300.0% (rated motor current)	100%	☆
F7.37	Random arrivals current 1 width	0.0% to 300.0% (rated motor current)	0.0%	☆
F7.38	Random arrivals current 2	0.0% to 300.0% (rated motor current)	100%	☆
F7.39	Random arrivals current 2 width	0.0% to 300.0% (rated motor current)	0.0%	☆

When the inverter's output current randomly reaches the range of the current detection width(positive or negative), the inverter multifunction DO will output ON signal.

PI9000 provides two group of sets of parameter for Randomly Reaches Current and Detection Width, the figure is the functional diagram.



F7.40	Module temperature arrival	0°C to 100°C	75°C	☆	
<p>When the inverter radiator temperature reaches the temperature, the inverter multifunction DO will output "Module Temperature Arrival" ON signal.</p>					
F7.41	Cooling fan control	Fan running only when running	0	0	☆
		Fan always running	1		
<p>Used to select the cooling fan mode, if you select 0, the fan will run when the inverter is running, but in the stop state of inverter, if the radiator temperature is above 40 degrees, the fan will run, otherwise the fan will not run. If you select 1, when the fan will always running after power-on.</p>					
F7.42	Timing function selection	Invalid	0	0	☆
		Valid	1		
F7.43	Timing run time selection	F7.44 setting	0	0	☆
		AI1	1		
		AI2	2		
		Panel potentiomete	3		
		Analog input range 100% corresponds to F7.44			
F7.44	Timing run time	0.0Min to 6500.0Min	0.0Min	☆	
<p>The group of parameters are used to complete the inverter timing run function. If F7.42 timing function is active, the inverter starts as the timer starts, when the set timing run time is reached, the inverter automatically shut down, at the same time the multi-function DO will output ON signal. Every time the inverter starts, the timer will time from 0, the remaining time can be viewed by d0.20. The timing run time is set by F7.43, F7.44 in minute.</p>					
F7.45	Current running arrival time.	0.0Min to 6500.0Min	0.0Min	☆	
<p>When current running time reaches this time, the inverter multi-function digital DO will output "Current Running Time Arrival "ON signal.</p>					
F7.46	Awakens frequency	dormancy frequency (F7.48) to maximum frequency (F0.19)	0.00Hz	☆	
F7.47	Awakens delay time	0.0s to 6500.0s	0.0s	☆	
F7.48	Dormancy frequency	0.00Hz to awakens frequency(F7.46)	0.00Hz	☆	
F7.49	Dormancy delay time	0.0s to 6500.0s	0.0s	☆	
F7.50	AI1 input voltage protection lower limit	0.00V to F7.51	3.10V	☆	
F7.51	AI1 input voltage protection upper limit	F7.50 to 10.00V	6.80V	☆	

When analog AI1 input is greater than F7.51, or when AI1 input is less than F7.50, the inverter multi-functional DO will output "AI1 input overrun" signal, so as to indicate whether the AI1 input voltage is within the set range or not.

### 5-2-10.Fault and protection:F8.00-F8.32

Code	Parameter name	Setting range	Factory setting	Change limits	
F8.00	Overcurrent stall gain	0 to 100	20	☆	
F8.01	Overcurrent stall protection current	100% to 200%	150%	☆	
<p>In the process of the inverter acceleration, when the output current exceeds the overcurrent stall protection current, the inverter stops ac/deceleration process and remains in the current operating frequency, and then continues to ac/decelerate upon the decline of the output current.</p> <p>Overcurrent stall gain is used for adjusting inhibition overcurrent capability during ac/deceleration. The greater this value, the stronger inhibition overcurrent capability. Under the premise that the overcurrent does not occur, the best is the smaller gain setting.</p> <p>For the small inertia load, the overcurrent stall gain should be small, otherwise which cause the slower system dynamic response. For the big inertia load, the overcurrent stall gain should be large, otherwise the poor inhibitory effect may cause overvoltage fault.</p>					
F8.02	Motor overload protection	Prohibit	0	1	☆
		Allow	1		
F8.03	Motor overload protection gain	0.20 to 10.00	1.00	☆	
<p>F8.02 = 0: no motor overload protection function, there may be the risk of damage to the motor due to overheating, it is recommended that the thermal relay is installed between the inverter and the motor;</p> <p>F8.02 = 1: the inverter will determine whether the motor is overloaded or not according to the inverse time curve of motor overload protection. Inverse time curve of motor overload protection: <math>220\% \times (F8.03) \times \text{rated motor current}</math>, if this lasts for 1 second, the alarm of motor will be prompted overload fault; <math>150\% \times (F8.03) \times \text{rated motor current}</math>, if this lasts for 60 seconds, the alarm of motor overload will be prompted.</p> <p>User shall correctly set the value of F8.03 according to the Actual motor overload capacity, if the value is set to too large, which may easily lead to motor overheating and damage while the inverter will not alarm!</p>					
F8.04	Motor overload pre-	50% to 100%	80%	☆	

	coefficient				
<p>This function is used in the front of motor overload fault protection, and sends a pre-alarm signal to the control system by DO. The warning coefficient is used to determine the extent of pre-alarm prior to motor overload protection. The higher the value, the smaller the extent of pre-alarm in advance.</p> <p>When the cumulative amount of inverter output current is greater than the product of the inverse time curve of overload and F8.04, the inverter multi-function digital DO will output "Motor Overload Pre-Alarm" ON signal.</p>					
F8.05	Overvoltage stall gain	0 (no overvoltage stall) to 100	0	☆	
F8.06	Overvoltage stall protection voltage  / energy consumption brake	120% to 150%(three-phase)	130%	☆	
<p>In the process of the inverter deceleration, when the DC bus voltage exceeds the overvoltage stall protection voltage/the energy consumption brake voltage, the inverter stops deceleration and maintains at the current operating frequency (if F3.12 is not set to 0, the braking signal is outputted the energy consumption brake can be implemented by an external braking resistor.) and then continues to decelerate upon decline of the bus voltage</p> <p>Overvoltage stall gain is used for adjusting inhibition overvoltage capability during deceleration. The greater this value, the stronger inhibition overvoltage capability under the premise that the overvoltage does not occur, the best is the smaller gain setting.</p> <p>For the small inertia load, the overvoltage stall gain should be small, otherwise which cause the slower system dynamic response. For the big inertia load, the overvoltage stall gain should be large, otherwise the poor inhibitory effect may cause overvoltage fault.</p> <p>When the overvoltage stall gain is set to 0, the overvoltage stall function will be</p>					
F8.07	Input phase loss protection selection	Prohibit	0	1	☆
		Allow	1		
<p>Select whether the input phase loss protection is done or not.</p> <p>The input phase loss protection function is only for PI9000 G type inverter with 18.5kW or above, not for the F type inverter with 18.5kW or below and however F8.07 is set to 0 or 1.</p>					
F8.08	Output phase loss protection selection	Prohibit	0	1	☆
		Allow	1		
<p>Select whether the output phase loss protection is done or not.</p>					
F8.09	Power-on	Invalid	0	1	☆

	short circuit to ground	Valid	1		
<p>You can detect whether the motor is shorted to ground when the inverter is powered on.</p> <p>If this function is active, the inverter's UVW terminal will output voltage after power-on for a while.</p>					
F8.10	Number of automatic fault reset	0 to 20	0		☆
<p>When the inverter selects automatic fault reset, it is used to set the number of times of automatic fault reset. If the set number of times is exceeded, the inverter remains a failed state.</p>					
F8.11	Fault DO action selection during automatic fault reset	OFF	0	0	☆
		ON	1		
<p>If the inverter automatic fault reset function is set, F8.10 can be used to set whether DO action is active or not during the automatic fault reset</p>					
F8.12	Automatic fault reset	0.1s to 100.0s	1.0s		☆
<p>It is the waiting time from the inverter fault alarm to automatic fault reset.</p>					
F8.13	Overspeed detection	0.00% to 50.0% (maximum frequency)	20.0%		☆
F8.14	Overspeed detection	0.0s to 60.0s	1.0s		☆
<p>This feature is only available when the inverter runs with speed sensor vector control.</p> <p>When the inverter detects that the actual motor speed exceeds the set frequency, and the excess is greater than the overspeed detection value(F8.13), and the duration is greater than the overspeed detection time(F8.14) the inverter will alarm fault ID Err.43, and troubleshoots according to the protection action.</p>					
F8.15	Detection value for too large speed deviation	0.00% to 50.0% (maximum frequency)	20.0%		☆
F8.16	Detection time for too large speed deviation	0.0s to 60.0s	5.0s		☆
<p>This feature is only available when the inverter runs with speed sensor vector control.</p>					

When the inverter detects that the actual motor speed is different from the set frequency, and the deviation is greater than the detection value for too large speed deviation(F8.15), and the duration is greater than the detection time for too large speed deviation(F8.16), the inverter will alarm fault ID Err.42, and troubleshoots according to the protection action.

If the detection time for too large speed deviation is 0.0s, the detection for too large speed deviation is canceled.

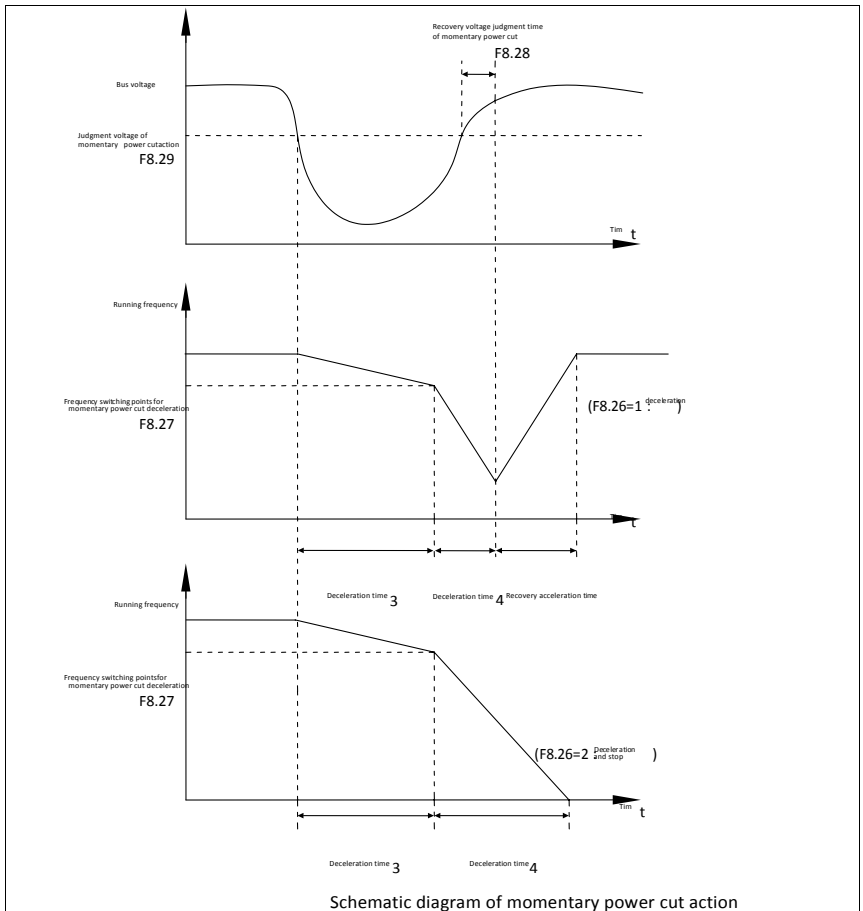
F8.17	Fault protection action selection 1	Units digit	Motor overload (Fault ID Err.11)		00000	☆
		Free stop		0		
		Stop at the selected mode		1		
		Continue to run		2		
		Tens digit	Input phase loss(Fault ID Err.12)(same as units digit)			
		Hundreds digit	Output phase loss(Fault ID Err.13)(same as units digit)			
		Thousands digit	External fault(Fault ID Err.15)(same as units digit)			
		Ten thousands digit	Communication abnormal(Fault ID Err.16)(same as units digit)			
F8.18	Fault protection action selection 2	Units digit	Encoder fault(Fault ID Err.20)		00000	☆
		Free stop		0		
		Switch to V/F and then stop at the selected mode		1		
		Switch to V/F and continue to run		2		
		Tens digit	Function code read and write abnormal(Fault ID Err.21)			
		Free stop		0		
		Stop at the selected mode		1		
		Hundreds digit	Reserve			
		Thousands digit	Motor overheating(Fault ID Err.45)( same as F8.17)			
		Ten thousands digit	Running time arrival(Fault ID Err.26)( same as F8.17 units digit)			



F8.19	Fault protection action selection 3	Units digit	Custom fault 1 (Fault ID Err.27)( same as F8.17 units digit)	00000	☆	
		Tens digit	Custom fault 2 (Fault ID Err.28)( same as F8.17 units digit)			
		Hundreds digit	Power-on time arrival(Fault ID Err.29)( same as F8.17 units digit)			
		Thousands digit	Load drop(Fault ID Err.30)			
		Free stop				0
		Stop at the selected mode				1
		Decelerate to 7% of the rated frequency of motor and continue to run, automatically return to the set frequency to run if the load drop does not				2
		Ten thousands digit	PID feedback loss when running(Fault ID Err.31)( same as F8.17 units digit)			
F8.20	Fault protection action selection 4	Units digit	Too large speed deviation(Fault ID Err.42)( same as F8.17 units digit)	00000	☆	
		Tens digit	Motor overspeed(Fault ID Err.43)( same as F8.17 units digit)			
		Hundreds digit	Initial position error(Fault ID Err.51)( same as F8.17 units digit)			
		Thousands digit	Reserve			
		Ten thousands digit	Reserve			
<p>When "free stop" is selected, the inverter displays Err. *, and directly stops.</p> <p>When "Stop at the selected mode" is selected, the inverter displays Arr. *, firstly stops at the selected mode and then displays Err. * When "continue to run" is selected, the inverter continues to run and displays Arr. *, the operating frequency is set by F8.24.</p>						
F8.21	Reserve					
F8.22	Reserve					
F8.23	Reserve					



F8.24	Continue running frequency selection when failure happens	Running at current frequency	0	0	☆
		Running at set frequency	1		
		Running at upper limit frequency	2		
		Running at lower limit frequency	3		
		Running at abnormal spare frequency	4		
F8.25	Abnormal spare frequency	60.0% to 100.0%		100	☆
<p>When the inverter occurs faults during operation, and the troubleshooting mode for the fault is set to "continue to run", the inverter displays Arr. *, and runs at the operating frequency set by F8.24.</p> <p>When "abnormal spare frequency" is selected, the value set by F8.25 is the percentage of the maximum frequency</p>					
F8.26	Momentary power cut action selection	Invalid	0	0	☆
		Deceleration	1		
		Deceleration and stop	2		
F8.27	Frequency switching points for momentary power cut deceleration	80.0% to 100.0%		90%	☆
F8.28	Recovery voltage judgment time of momentary power cut	0.00s to 100.00s		0.50s	☆
F8.29	Judgment voltage of momentary power cut no action	60.0% to 100.0% (standard bus voltage)		80.0%	☆



This feature means that when the momentary power cut happens or the voltage suddenly reduces, the drive will reduce the output speed to compensate the reduced value of the inverter DC bus voltage by using load feedback energy, in order to maintain the inverter to continue running.

If F8.26 = 1, when the momentary power cut happens or the voltage suddenly reduces, the inverter will decelerate, when the bus voltage is back to normal, the inverter will normally accelerate to the set frequency to run. To determine whether the bus voltage returns to normal or not, check whether the bus voltage is normal and lasts for longer than the set time by F8.28.

If F8.26 = 2, when the momentary power cut happens or the voltage suddenly

F8.30	Load drop protection	Invalid	0	0	☆
		Valid	1		
F8.31	Load drop	0.0% to 100.0% (rated motor current)	10.0%		☆

	detection level			
F8.32	Load drop detection	0.0s to 60.0s	1.0s	☆

If the load drop protection function is active, when the inverter output current is less than the load drop detection level (F8.31) and the duration is longer than the load drop detection time (F8.32), the inverter output frequency is automatically reduced to 7% of the rated frequency. During the load drop protection, if the load recovers, the inverter automatically resumes to the set frequency to run.

### 5-2-11. Communications parameters: F9.00-F9.07

Please refer to PI9000 Communication Protocol

Code	Parameter name	Setting range		Factory setting	Change limits			
F9.00	Baud rate	Units digit	MODBUS	6005	☆			
		300BPS	0					
		600BPS	1					
		1200BPS	2					
		2400BPS	3					
		4800BPS	4					
		9600BPS	5					
		19200BPS	6					
		38400BPS	7					
		57600BPS	8					
		115200BPS	9					
		Tens digit	Profibus-DP	6005		☆		
		115200BPS	0					
		208300BPS	1					
		256000BPS	2					
		512000BPS	3					
		Hundreds digit	Reserve				6005	☆
		Thousands digit	CANlink baudrat					
		20	0					
		50	1					
100	2							

		125	3		
		250	4		
		500	5		
F9.01	Data format	No parity (8-N-2)	0	0	☆
		Even parity (8-E-1)	1		
		Odd parity (8-O-1)	2		
		8-N-1	3		
F9.02	This unit address	1-247, 0 for broadcast address		1	☆
F9.03	Response delay	0ms-20ms		2ms	☆
F9.04	Communication timeout time	0.0 (invalid), 0.1s-60.0s		0.0	☆
F9.05	Data transfer format selection	Units digit	MODBUS	30	☆
		Non-standard MODBUS protocol	0		
		Standard MODBUS protocol	1		
		Tens digit	Profibus		
		PPO1 format	0		
		PPO2 format	1		
		PPO3 format	2		
		PPO5 format	3		
F9.06	Communication read current resolution	0.01A	0	0	☆
		0.1A	1		
F9.07	Communication card type	0:Modbus communication card 1:Profibus communication card 2:CANopen communication card 3:CANlink communication card	0	0	☆



### 5-2-12.Torque control parameters:FA.00-FA.07

Code	Parameter name	Setting range	Factory setting	Change limits	
FA.00	Speed/torque control mode selection	Speed control	0	★	
		Torque control	1		
<p>Used to select the inverter control mode: speed control or torque control.</p> <p>PI9000 multifunction digital terminal has two related functions on torque control: torque control banned (function 29), and speed control / torque control switching (function 46). The two terminals must use in conjunction with FA.00 so as to switch between speed control and torque control.</p> <p>When the speed control / torque control switching terminal is invalid, the control mode is determined by FA.00, if the terminal is valid, the control manner is equivalent to the FA.00's value negated.</p> <p>In any case, when the torque control ban terminal is valid, the inverter is fixed at speed control mode.</p>					
FA.01	Torque setting source selection under torque control mode	Keyboard setting	0	0	★
		Analog AI1 setting	1		
		Analog AI2 setting	2		
		Panel potentiometer setting	3		
		High-speed pulse setting	4		
		Communications reference	5		
		MIN(AI1, AI2)	6		
		MAX(AI1, AI2)	7		
FA.02	Torque digital setting under torque control mode	-200.0% to 200.0%	150%	☆	
FA.03	Torque control acceleration	0.00s to 650.00s	0.00s	☆	
FA.04	Torque control deceleration	0.00s to 650.00s	0.00s	☆	
<p>Under the torque control mode, the difference between the motor output torque and load torque determines the change rate in speed of the motor and load, therefore, the motor speed may rapidly change, resulting in the problems such as noise or excessive mechanical stress. By setting the torque control ac/deceleration time, you can make a smooth change of motor speed. But the occasions that needs the rapid response of torque, the torque control ac/deceleration time must be set to 0.00s. For example: when two hardwired motors drag the same one load, in order to ensure that the load is evenly distributed, you must set one inverter as the master unit that works under the speed control mode, the other inverter as the auxiliary unit that works under the torque control mode, the Actual output torque of the master unit is used as the torque command of the auxiliary, the torque of the auxiliary needs quickly follow the master unit, so the torque control ac/deceleration time of the auxiliary unit shall be set to 0.00s.</p>					

FA.05	Torque control forward maximum frequency	0.00Hz to maximum frequency(FO.19)	50.00Hz	☆
FA.06	Torque control reverse maximum	0.00Hz to maximum frequency(FO.19)	50.00Hz	☆
<p>Used to set the maximum operating frequency of inverter forward or reverse running under the torque control mode</p> <p>Under the torque control mode, if the load torque is less than the motor output torque, the motor speed will continue to rise, in order to prevent "Runaway" and other accidents of mechanical systems, it is necessary to limit the maximum speed of motor under the torque control mode</p>				
FA.07	Torque filter time	0.00s to 10.00s	0.00s	☆
<p>FA.01 is used to select the torque setting source, there are eight torque setting modes in all.</p> <p>The torque setting adopts the relative value, the 100.0% corresponds to the rated torque of inverter. Setting range is from -200.0% to 200.0%, indicating that the maximum torque of inverter is 2 times of the rated torque of inverter.</p> <p>When the torque setting adopts mode 1 to 7, the 100% of communications, analog input and pulse input corresponds to FA.02.</p>				

### 5-2-13.Control optimization parameters: FB.00-FB.09

Code	Parameter name	Setting range	Factory setting	Change limits
FB.00	Fast current limiting manner	Disable	0	☆
		Enable	1	
<p>Enable Quick Current Limiting function, which can minimize the overcurrent fault of inverter , and ensure the uninterrupted operation of inverter. If the drive is in the state of fast current limiting for a long period of time , the inverter may be damaged by overheating and others, this case is not allowed, so the inverter will alarm fault with fault ID Err.40, it indicates that the inverter exists overload and needs to be shut down.</p>				
FB.01	Undervoltage poin	60.0% to 140.0%	100.0%	☆
<p>Used to set the voltage value of inverter undervoltage fault with fault ID Err.09 , the different voltage levels of inverter 100.0% corresponds to the different voltage points are as follows:</p> <p>Single-phase 220V or three-phase 220V: 200V three-phase 380V: 350V Three-phase 480V: 450V three-phase 690V: 650V</p>				
FB.02	Overvoltage poin	200.0V to 2500.0V	810V	☆
<p>Settings for the level of 1140V voltage. The adjustment of this value can improve the effective utilization of voltage, if the value is set to too small, which easily lead to the instability of system running. It's not recommended that user modifies it.</p>				
FB.03	Deadband	No compensatio	0	☆

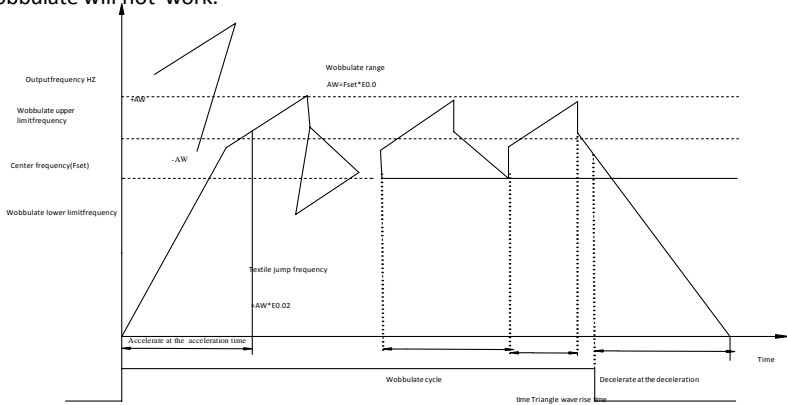
	compensation mode selection	Compensation mode 1	1		
		Compensation mode 2	2		
<p>Generally do not need to modify this parameter, only when the special requirements to the output voltage waveform quality is required or when the motor oscillation and other abnormal happen, you need to try to switch to select a different mode of compensation.</p> <p>The compensation mode 2 for high-power is recommended.</p>					
FB.04	Current detection	0 to 100	5		☆
<p>Used to set the inverter's current sensing compensation, if the set value is too large, which may reduce the control performance. Generally do not need to be modified.</p>					
FB.05	Vector optimization without PG mode selection	No optimization	0	1	☆
		Optimization mode 1	1		
		Optimization mode 2	2		
<p>1: optimization mode 1 Used for the requirements of higher torque control linearity.</p> <p>2: optimization mode 2 Used for the requirements of higher speed stability.</p>					
FB.06	Upper limiting frequency for DPWM switching	0.00Hz to 15.00Hz	12.00Hz		☆
FB.07	PWM modulation manner	Asynchronous	0	0	☆
		Synchronous	1		
<p>Only valid for V/F control. Synchronous modulation refers to that the carrier frequency linearly change with the change of output frequency, in order to ensure the unchanged of their ratio(carrier to noise ratio), generally it is used when the output frequency is higher, is conducive to ensure the output voltage quality.</p> <p>Under the lower output frequency (100Hz) mode, generally the synchronize modulation is not required, because at the time the ratio of the carrier frequency to the output frequency is relatively high, the asynchronous modulation has more obvious advantages.</p> <p>When the operating frequency is higher than 85Hz, the synchronous modulation takes effect. the fixed mode is the asynchronous modulation below the frequency.</p>					
FB.08	Random PWM depth	Random PWM invalid	0	0	☆
		PWM carrier frequency random depth	1 to 10		
<p>By setting Random PWM, the monotonous and shrill motor sound can become softer and which helps reduce external electromagnetic interference. When Random PWM Depth is set to 0, Random PWM will be invalid. It will get different results by adjusting different Random PWM Depths.</p>					
FB.09	Deadband time	100% to 200%	150%		☆



	adjustment			
--	------------	--	--	--

### 5-2-14. Wobble, fixed-length and counting: E0.00-E0.09

Wobble function is suitable for the textile, chemical, and other industries, as well as occasions that needs traverse and winding function. Wobble function means that the inverter output frequency swings up and down to set the frequency centering around the set frequency, the locus the operating frequency on the timeline is as shown in figure, which the swing amplitude is set by E0.00 and E0.01, when E0.01 is set to 0, the wobble will not work.



Running command

Schematic diagram of wobble operating

Code	Parameter name	Setting range	Factory setting	Change limits
E0.00	Swing setting manner	Relative to center frequency	0	☆
		Relative to maximum frequency	1	
<p>This parameter is used to determine the baseline of the swing</p> <p>0: relative to center frequency(F0.07 frequency source)</p> <p>For the variable swing system. The swing varies with the change of center frequency (the set frequency)</p> <p>1: relative to maximum frequency(F0.19)</p> <p>For the fixed swing system, the swing is fixed</p>				
E0.01	Wobble range	0.0% to 100.0%	0.0%	☆
E0.02	Sudden jump frequency range	0.0% to 50.0%	0.0%	☆
<p>The parameter is used to determine the value of swing and the value of sudden jump frequency.</p>				

When the swing is set to Relative To Center frequency(E0.00=0), Swing (AW) = frequency source (F0.07) × swing amplitude((E0.01). When the swing is set to Relative To Maximum Frequency(E0.00=1), Swing (AW) = maximum frequency (F0.19) × swing amplitude((E0.01).

If the sudden jump frequency range is selected for wobble operation, the frequency percentage of sudden jump frequency range relative to swing, i.e.: Sudden jump frequency = Swing(AW)×Sudden jump frequency range(E0.02). When the swing is set to Relative To Center frequency(E0.00=0), the sudden jump frequency is the variable value. When the swing is set to Relative To Middle Frequency(E0.00=1), the sudden jump frequency is the fixed value.

The frequency of wobble operation is restricted by the upper and lower frequencies.

E0.03	Wobble cycle	0.1s to 3000.0s	10.0s	☆
E0.04	Triangle wave rise time coefficient	0.1% to 100.0%	50.0%	☆

Wobble cycle: the time of a complete wobble cycle.

Triangle wave rise time coefficient(E0.04), the time percentage of Triangle Wave Rise Time relative to Wobble Cycle(E0.03) Triangle wave rise time = Wobble cycle(E0.03) × Triangle wave rise time coefficient(E0.04), unit: second(s). Triangle wave drop time = Wobble cycle(E0.03) × (1 - Triangle wave rise time coefficient(E0.04)), unit: second(s).

E0.05	Set length	0m to 65535m	1000m	☆
E0.06	Actual length	0m to 65535m	0m	☆
E0.07	Pulse per meter	0.1 to 6553.5	100.0	☆

The above function codes are used to fixed-length control.

The length information is sampled through the multi-function digital input terminal, the pulse number sampled by terminal divides the pulse per meter(E0.07), so then the Actual length(E0.06) can be computed out. When the Actual length is greater than the set length (E0.05), the multi-functional digital DO will output "Length Arrival" ON signal.

During the fixed-length control, the multifunction DI terminal can be used to reset length (DI function selects 28), please refer to F1.00 to F1.09 for details.

In some applications, the related input terminal function shall be set to "Length Count Input"(function 27) when the pulse frequency is higher. DI5 port must be used.

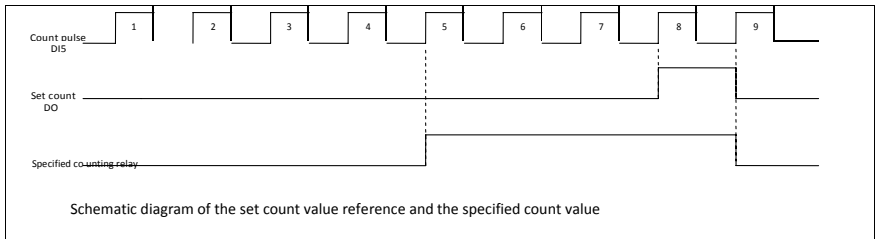
E0.08	Set count value	1 to 65535	1000	☆
E0.09	Specified count value	1 to 65535	1000	☆

The count value needs to be sampled through the multi-function digital input terminal. In some applications, the related input terminal function shall be set to "Counter Input"(function 25), when the pulse frequency is higher, DI5 port must be used .

When the count value reaches the set count value(E0.08), the multifunction digital DO will output "Set Count Value Arrival" ON signal, then the counter stops counting.

When the count value reaches the specified count value(E0.09), the multifunction digital DO will output "Specified Count Value Arrival" ON signal, then the counter continues to count, and then stop till the set count value.

The figure is the schematic diagram of E0.08 = 8 and E0.09 = 4.



### 5-2-15. Multi-stage command, simple PLC: E1.00-E1.51

PI9000's multi-stage command has the richer function than the usual multi-speed command, in addition to the multi-speed function, it can also be used as process PID reference source. Therefore, the dimension of multi-stage command is a relative

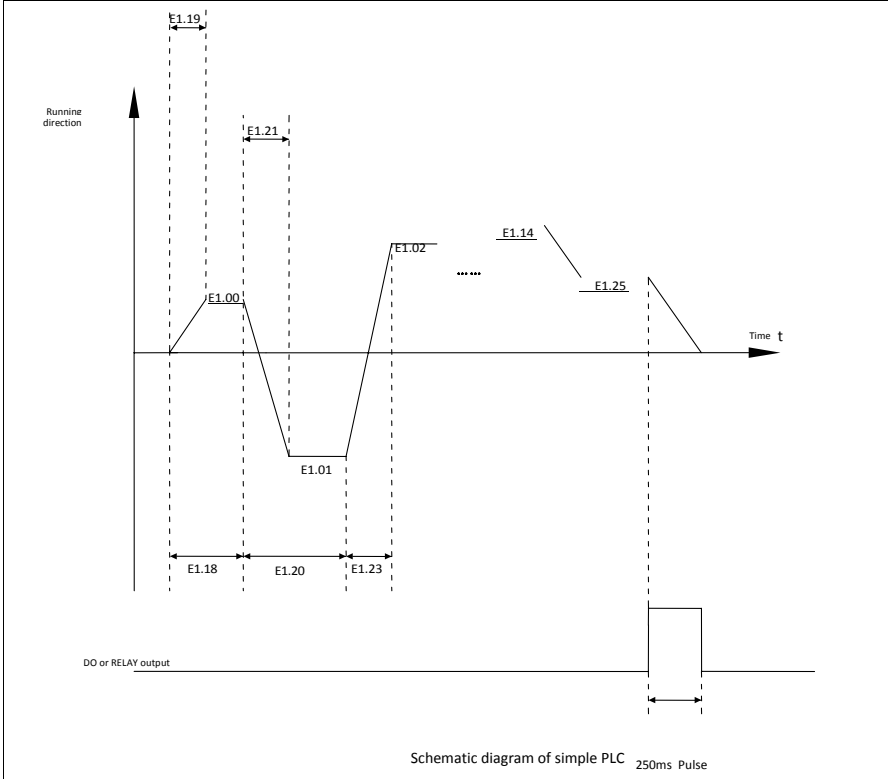
Code	Parameter name	Setting range	Factory setting	Change limits
E1.00	0-stage speed setting 0X	-100.0% to 100.0%	0.0%	☆
E1.01	1-stage speed setting 1X	-100.0% to 100.0%	0.0%	☆
E1.02	2-stage speed setting 2X	-100.0% to 100.0%	0.0%	☆
E1.03	3-stage speed setting 3X	-100.0% to 100.0%	0.0%	☆
E1.04	4-stage speed setting 4X	-100.0% to 100.0%	0.0%	☆
E1.05	5-stage speed setting 5X	-100.0% to 100.0%	0.0%	☆
E1.06	6-stage speed setting 6X	-100.0% to 100.0%	0.0%	☆
E1.07	7-stage speed setting 7X	-100.0% to 100.0%	0.0%	☆
E1.08	8-stage speed setting 8X	-100.0% to 100.0%	0.0%	☆
E1.09	9-stage speed setting 9X	-100.0% to 100.0%	0.0%	☆
E1.10	10-stage speed setting 10X	-100.0% to 100.0%	0.0%	☆
E1.11	11-stage speed setting 11X	-100.0% to 100.0%	0.0%	☆
E1.12	12-stage speed	-100.0% to 100.0%	0.0%	☆

	setting 12X				
E1.13	13-stage	spee	-100.0% to 100.0%	0.0%	☆
E1.14	14-stage	spee	-100.0% to 100.0%	0.0%	☆
E1.15	15-stage	spee	-100.0% to 100.0%	0.0%	☆

The multi-stage command can be used as frequency source, can also act as the set source of process PID. The dimension of multi-stage command is the relative values and its range is from -100.0% to 100.0%, when it acts as the frequency source, it is the percentage of maximum frequency; due to the PID reference is originally as a relative value, therefore the multi-stage command acts as the set source of PID and does not need dimension conversion.

The multi-stage command needs to switch according to the different states of multifunction digital DI, please refer to F1 group for specific instructions

E1.16	Simple PLC running mode	Stop after single running	0	0	☆
		Hold final value after single running	1		
		Circulating	2		



The above figure is the schematic diagram of Simple PLC as the frequency source. For Simple PLC as the frequency source, the positive or negative value of E1.00 to E1.15 determines the running direction, the negative value indicates that the inverter runs at the opposite direction.

As the frequency source, PLC operates in three modes, including:

0: stop after single running

After the inverter completes a single cycle, it will automatically shut down, the running command must be given before restart.

1: hold final value after single running

After the inverter completes a single cycle, it will automatically maintain the frequency and direction of the last stage.

2: circulating

After the inverter completes a cycle, it will automatically start next cycle, and stop till the stop command is given.

E1.17	Simple PLC power-down memory selection	Units digit	Power-down memory	00	☆
		Power-down without	0		
		Power-down with memory	1		
		Tens digit	Stop memory selection		
		Stop without memory	0		
		Stop with memory	1		
<p>PLC "Power-Down With Memory" means that the PLC operating stage and frequency before power-down are memorized, and then it will continue to run from the position of the memorized stage in next power-on. If Power-Down Without Memory is selected, the PLC process will restart from the starting position for each power-on</p> <p>PLC "Stop With Memory" means that the PLC operating stage and frequency before stop are recorded, and then it will continue to run from the position of the recorded stage in next run. If Stop Without Memory is selected, the PLC process will restart from the starting position for each start.</p>					
E1.18	0 stage running time T0	0.0s(h) to 6500.0s(h)	0.0s(h)	☆	
E1.19	0 stage ac/deceleration time	0 to 3	0	☆	
E1.20	1 stage running time T1	0.0s(h) to 6500.0s(h)	0.0s(h)	☆	
E1.21	1 stage ac/deceleration time	0 to 3	0	☆	
E1.22	2 stage running time T2	0.0s(h) to 6500.0s(h)	0.0s(h)	☆	
E1.23	2 stage ac/deceleration time	0 to 3	0	☆	
E1.24	3 stage running time T3	0.0s(h) to 6500.0s(h)	0.0s(h)	☆	
E1.25	3 stage ac/deceleration time selection	0 to 3	0	☆	
E1.26	4 stage running time T4	0.0s(h) to 6500.0s(h)	0.0s(h)	☆	
E1.27	4 stage ac/deceleration time selection	0 to 3	0	☆	

E1.28	5 stage running time T5	0.0s(h) to 6500.0s(h)		0.0s(h)	☆
E1.29	5 stage ac/deceleration time selection	0 to 3		0	☆
E1.30	6 stage running time T6	0.0s(h) to 6500.0s(h)		0.0s(h)	☆
E1.31	6 stage ac/deceleration time selection	0 to 3		0	☆
E1.32	7 stage running time T7	0.0s(h) to 6500.0s(h)		0.0s(h)	☆
E1.33	7 stage ac/deceleration time selection	0 to 3		0	☆
E1.34	8 stage running time T8	0.0s(h) to 6500.0s(h)		0.0s(h)	☆
E1.35	8 stage ac/deceleration time selection	0 to 3		0	☆
E1.36	9 stage running time T9	0.0s(h) to 6500.0s(h)		0.0s(h)	☆
E1.37	9 stage ac/deceleration time selection	0 to 3		0	☆
E1.38	10 stage running time T10	0.0s(h) to 6500.0s(h)		0.0s(h)	☆
E1.39	10 stage ac/deceleration time selection	0 to 3		0	☆
E1.40	11 stage running time T11	0.0s(h) to 6500.0s(h)		0.0s(h)	☆
E1.41	11 stage ac/deceleration time selection	0 to 3		0	☆
E1.42	12 stage running time T12	0.0s(h) to 6500.0s(h)		0.0s(h)	☆
E1.43	12 stage ac/deceleration time selection	0 to 3		0	☆
E1.44	13 stage running time T13	0.0s(h) to 6500.0s(h)		0.0s(h)	☆
E1.45	13 stage ac/deceleration time selection	0 to 3		0	☆
E1.46	14 stage running time T14	0.0s(h) to 6500.0s(h)		0.0s(h)	☆
E1.47	14 stage ac/deceleration time selection	0 to 3		0	☆
E1.48	15 stage running time T15	0.0s(h) to 6500.0s(h)		0.0s(h)	☆
E1.49	15 stage ac/deceleration time selection	0 to 3		0	☆
E1.50	Simple PLC run-time unit	S (seconds)	0	0	☆
		H (hours)	1		
E1.51	Multi-stage command 0 reference manner	Function cod	0	0	☆
		A11	1		

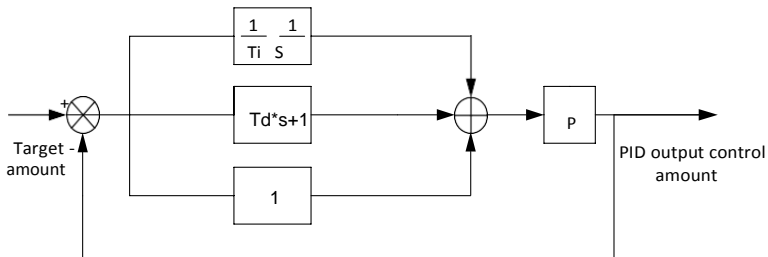
		AI2	2		
		Panel potentiometer reference	3		
		High-speed pulse reference	4		
		PID control reference	5		
		Keyboard reference (F0.01) UP/DOWN can	6		

This parameter determines the multi-stage command 0 reference channel.  
 The multi-stage command 0 not only can select E1.00, but also there are a variety of other options so as to facilitate switching between the multi-stage command and the other reference manner.

**5-2-16.PID function: E2.00-E2.27**

PID control is a commonly used method of process control, a closed loop system is formed by the proportional, integral and differential operation of difference between the controlled value feedback signal and target value signal and by adjusting the inverter output frequency so as to stabilize the controlled value at the position of the target value.

Suitable for flow control, pressure control and temperature control and other process control applications.



Code	Parameter name	Setting range		Factory setting	Change limits
E2.00	PID reference source	E2.01 setting	0	0	☆`
		Analog AI1 reference	1		
		Analog AI2 reference	2		
		Panel potentiometer	3		

		reference			
		High-speed pulse setting	4		
		Communications setting	5		
		Multi-stage comman	6		
E2.01	PID keyboard reference	0.0% to 100.0%		50.0%	☆
<p>This parameter is used to select the process PID target value reference channel.</p> <p>The set target value of process PID is a relative value, the setting range is from 0.0% to 100.0%. The feedback value of PID is also a relative value, the role of PID is to remain the same for the two relative values.</p>					
E2.02	PID source feedback	AI1	0	0	☆
		AI2	1		
		Panel potentiometer setting	2		
		AI1 – AI2	3		
		High-speed pulse setting	4		
		Communications setting	5		
		AI1+AI2	6		
		MAX( AI1 ,  AI2 )	7		
		MIN ( AI1 ,  AI2 )	8		
<p>This parameter is used to select the process PID feedback signal channel.</p> <p>The feedback value of process PID is also a relative value, the setting range is from 0.0% to 100.0%.</p>					
E2.03	PID action direction	Positive	0	0	☆
		Negative	1		
<p>Positive: When PID feedback signal is less than a reference value, the inverter output frequency will rise. Such as rewinding tension control applications.</p> <p>Negative: When PID feedback signal is less than a reference value, the inverter output frequency will drop. SE1h as unwinding tension control applications. This feature is affected by the negated PID action direction of multi-function terminals (function 35), please use with caution.</p>					
E2.04	PID referenc	0 to 65535		1000	☆
<p>PID reference feedback range is a dimensionsless unit for PID setting display(d0.15) and PID feedback display(d0.16).</p> <p>The 100.0% of the relative value of PID reference feedback corresponds to a setting feedback range(E2.04). If E2.04 is set to 2000, when PID setting is 100.0%, PID setting display(d0.15) will be 2000.</p>					
E2.05	PID inversion cutoff frequency	0.00 to F0.19(maximum frequency)		2.00Hz	☆
<p>In some cases, only when the PID output frequency is negative (i.e.the inverter reverses), PID can control the reference value and the feedback value to the same states, but</p>					



the excessive inversion frequency is not allowed in some occasions, E2.05 is used to the upper limit of determine inversion frequency.				
E2.06	PID deviation limit	0.0% to 100.0%	0	☆
When the deviation between PID reference value and PID feedback value is less than E2.06, PID will stop regulating action. Thus, when the deviation is lesser, the output frequency will be stable, it is especially effective for some closed-loop control occasions.				
E2.07	PID differential limiting	0.00% to 100.00%	0.10%	☆
The role of the differential is more sensitive in PID regulator, is likely to cause system oscillation, generally the role is limited to a smaller range, E2.07 is used to set PID differential output range.				
E2.08	PID referenc	0.00s to 650.00s	0.00s	☆
The PID reference change time means the required time that PID reference value changes from 0.0% to 100.0%. When the PID reference changes, the PID reference value will change linearly according to the reference change time to reduce the adverse effects to the system caused by a sudden reference change.				
E2.09	PID feedback filter time	0.00s to 60.00s	0.00s	☆
E2.10	PID output filter time	0.00s to 60.00s	0.00s	☆
E2.09 is used for filtering the PID feedback quantity, the filter helps reduce the influence of interference to the feedback quantity, but will bring the response performance of the process closed loop system. E2.10 is used for filtering the PID output frequency, the filter will weaken the sudden change of the inverter output frequency, but it will also bring the response performance of the process closed loop system.				
E2.11	PID feedback loss detection value	0.0%: not judged feedback loss	0.0%	☆
		0.1% to 100.0%		
E2.12	PID feedback loss detection time	0.0s to 20.0s	0s	☆
This function code is used to determine whether the PID feedback is lost or not. When the PID feedback is less than the PID feedback loss detection value(E2.11), and the duration is longer than the PID feedback loss detection time(E2.12), the inverter will alarm faultIDErr.31,andtroubleshootaccordingtotheselectedmethod.				
E2.13	Proportional gain KP1	0.0 to 100.0	20.0	☆
E2.14	Integration time Ti1	0.01s to 10.00s	2.00s	☆
E2.15	Differential tim	0.00 to 10.000s	0.000s	☆

**Proportional gain KP1:**

Used to decide the extent of the PID regulator, the greater KP1, the greater adjusting extent. This parameter 100.0 means that when the deviation of PID feedback value and reference value is 100.0%, the PID regulator will adjust the output frequency command to the maximum frequency.

Integration time Ti1: used to decide the extent of integral adjustment of the PID regulator. The shorter integration time, the greater extent of integral adjustment. The integration time means that when the deviation of PID feedback value and reference value is 100.0%, the integration regulator will successively adjust to the maximum frequency for the time.

Differential time Td1: used to decide the extent that the PID regulator adjusts the deviation change rate. The longer differential time, the greater extent of adjustment. The differential time means that the feedback value changes 100.0% within the time, the differential regulator will adjust to the maximum frequency.

E2.16	Proportional gain KP2	0.0 to 100.0		20.0	☆
E2.17	Integration time Ti2	0.01s to 10.00s		2.00s	☆
E2.18	Differential time Td2	0.000 to 10.000		0.000s	☆
E2.19	PID parameter switching conditions	No switching	0	0	☆
		Switching through DI terminal	1		
		Automatically switching according to deviation.	2		
E2.20	PID parameter switching deviation 1	0.0% to E2.21		20.0%	☆
E2.21	PID parameter switching deviation 2	E2.20 to 100.0%		80.0%	☆

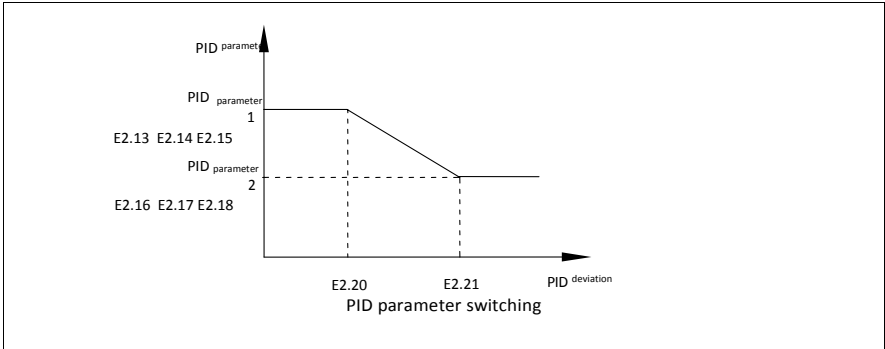
In some applications, only one group of PID parameters can not meet the needs of the entire run, it is required to use different PID parameters under different conditions.

This group of function codes is used to switch between two groups of PID parameters. Which the setting method for regulator parameter(E2.16 to E2.18) is similar to the parameter(E2.13 to E2.15).

The two groups of PID parameters can be switched by the multi-functional digital DI terminal, can also be switched automatically according to the PID deviation.

If you select the multi-functional DI terminal, the multi-function terminal function selection shall be set to 43 (PID parameter switching terminal), select parameter group 1 (E2.13 E2.15) when the terminal is inactive, otherwise select parameter group 2 (E2.16 to E2.18).

If you select the automatic switch mode, and when the absolute value of deviation between reference and feedback parameters is less than PID parameter switching deviation 1(E2.20), select parameter group 1 for PID parameter. When the absolute value of deviation between reference and feedback parameters is more than PID parameter switching deviation 2(E2.21), select parameter group 2 for PID parameter. If the deviation between reference and feedback parameters is between switching deviation 1 and switching deviation 2, PID parameter is the linear interpolation of the two groups of PID parameters, as shown in the figure.



E2.22	PID integral properties	Units digit	Integral separation		00	☆
		Invalid		0		
		Valid		1		
		Tens digit	Whether stop integration when			
		Continue		0		
		Stop		1		

**Integral separation:**

If the integral separation is set to active, when the integral pause of multifunction digital DI(function 38) is active, PID integral will stop operations, at the time only the proportional and derivative actions of PID is active.

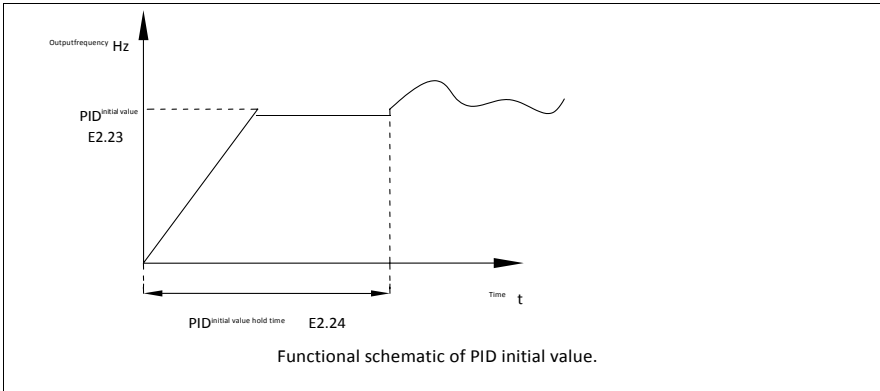
If the integral separation is set to inactive, however the multifunction digital DI is active or inactive, the integral separation will be inactive. Whether stop integration when output reaches limit: you can select whether or not to stop the integral action after PID operation output reaches the maximum or the minimum value. If you select to stop the integral action, the PID integral will stop the calculation, which may help to reduce the overshoot of PID.

E2.23	PID initial value	0.0% to 100.0%	0.0%	☆
E2.24	PID initial value hold time	0.00s to 360.00s	0.00s	☆

When the inverter starts, PID output is fixed at PID initial value(E2.23), and then continuous for the PID initial value hold time(E2.24), at last PID begins operation of the closed-loop adjustment.

The figure is functional schematic of PID initial value.





This function is used to limit the deviation between two PID output beats(2ms/beats),

E2.25	Maximum deviation of twice outputs(forward)	0.00% to 100.00%	1.00%	☆	
E2.26	Maximum deviation of twice outputs(backward)	0.00% to 100.00%	1.00%	☆	
E2.25 and E2.26 respectively corresponds to the maximum of the absolute value of output deviation when rotating forward and reverse.					
E2.27	Computing status after PID stop	Stop without	0	0	☆
		Stop with computing	1		
Used to select whether to continue computing in the state of PID shutdown. Generally, PID will stop computing in the state of shutdown.					

**5-2-17.Virtual DI, Virtual DO:E3.00-E3.21**

No.	Code	Parameter name	Setting range	Factory setting	Change limit
474.	E3.00	Virtual VDI1 terminal function selection	0 to 50	0	★
475.	E3.01	Virtual VDI2 terminal function selection	0 to 50	0	★
476.	E3.02	Virtual VDI3 terminal function selection	0 to 50	0	★

No.	Code	Parameter name	Setting range		Factory setting	Change limit
477.	E3.03	Virtual VDI4 terminal function selection	0 to 50		0	★
478.	E3.04	Virtual VDI5 terminal function selection	0 to 50		0	★
<p>Virtual VDI1~VDI5 in functionality is complete same as control board DI , it can be treated as multi-function digital value input using, more details please refer to F1.00~F1.09 introduction.</p>						
479.	E3.05	Virtual VDI terminal status set	Units digit	Virtual VDI1	00000	★
			invalid	0		
			valid	1		
			Tens digit	Virtual VDI2 (0 to 1, same as above)		
			Hundreds digit	Virtual VDI3 (0 to 1, same as above)		
			Thousands digit	Virtual VDI4 (0 to 1, same as above)		
			Tens of thousands digit	Virtual VDI5 (0 to 1, same as above)		
480.	E3.06	Virtual VDI terminal effective status set mode	Units digit	Virtual VDI1	11111	★
			VD1 whether valid is decided by Virtual VDOX status	0		
			VD1 whether valid is decided by E3.05	1		

No.	Code	Parameter name	Setting range		Factory setting	Change limit
			Tens digit	Virtual VDI2 ( 0 to 1, same as above )		
			Hundreds digit	Virtual VDI3 ( 0 to 1, same as above )		
			Thousands digit	Virtual VDI4 ( 0 to 1, same as above )		
			Tens of thousands digit	Virtual VDI5 ( 0 to 1, same as above )		

Different from ordinary digital quantity input terminals, virtual VDI state can have two setting modes which is selected by E3.06.

When selecting VDI state is determined by the state of the corresponding virtual VDO, VDI is valid or invalid state depending on the VDO output valid or invalid, and VDIx only binding VDOx(x=1~5)

When choosing VDI state selection function code to set, through the binary bits of E3.05, respectively determine the state of virtual input terminals.

Example of how to use VDI.

Example 1. Implement following function: “Inverter fault alarm and shuts down when AI1 input exceeds upper or lower frequency” .

Realize by following settings: Set VDI state decided by VDO, set VDI1 function as “user defined fault 1” (E3.00=44); set VDI1 terminal state effective mode decided by VDO1 (E3.06=xxx0); set VDO1 output function as “AI1 input exceeds upper & lower frequency” (E3.11=31); so when AI1 input exceeds upper or lower frequency, VDO1 state is ON, VDI1 input terminal state is effective, VDI1 receive user defined fault 1, inverter then alarm fault no. 27 and shuts down.

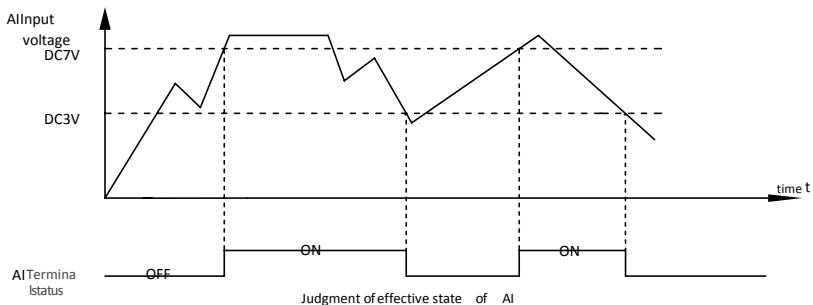
Example 2. Implement following function: “Inverter run automatically after power-on”. Realize by following settings: set VDI state decided by function code E3.05, set VDI1 function as “FORWARD” (E3.00=1); set VDI1 terminal state effective decided by function code (E3.06=xxx1); set VDI1 terminal state is effective (E3.05=xxx1); set command source as “terminal control” (F0.11=1); set protection selection as “no protection” (F7.22=0); so after inverter powered on and initialization complete, VDI1 detected effective, and it match forward running, then inverter starts running forwardly.

481.	E3.07	AI1 terminal as a function selection of DI	0 to 50		0	★
------	-------	--	---------	--	---	---

No.	Code	Parameter name	Setting range	Factory setting	Change limit
482.	E3.08	AI2 terminal as a function selection of DI	0 to 50	0	★
483.	E3.09	Panel potentiometer as a function selection of DI	0 to 50	0	★
484.	E3.10	Effective mode selection when AI as DI	Units digit: AI1 0:High level effectively 1:Low level effectively Tens digit:AI2(0 to 1,same as units digit) Hundreds digit:Panel potentiometer (0 to 1,same as	000	★

This group function code is used when using AI as DI, when AI used as DI, and input voltage of AI is greater than 7 V, AI terminal status will be high level, when input voltage of AI is lower than 3V, AI terminal status will be low level. For between 3V~7V hysteresis E3.10 is to determine that when the AI is used as DI, AI is made valid by means of the high level state, or the low level of valid states. As for AI as DI feature set, same as the ordinary DI Settings, please refer to the F1 group setting instructions related DI.

Below figure is AI input voltage taken as an example, explains the relationship between input voltage of AI and the corresponding state of DI:



485.	E3.11	Virtual VDO1 output function selection	With the physical internal sub Dix	0	0	★
			See F2 group physical DO output option	1~40		

No.	Code	Parameter name	Setting range	Factory setting	Change limit	
486.	E3.12	Virtual VDO2 output function selection	With the physical internal sub DIx	0	0	☆
			See F2 group physical DO output option	1~40		
487.	E3.13	Virtual VDO3 output function selection	With the physical internal sub DIx	0	0	☆
			See F2 group physical DO output option	1~40		
488.	E3.14	Virtual VDO4 output function selection	With the physical internal sub DIx	0	0	☆
			See F2 group physical DO output option	1~40		
489.	E3.15	Virtual VDO5 output function selection	With the physical internal sub DIx	0	0	☆
			See F2 group physical DO output option	1~40		
490.	E3.16	VDO output terminal effective status selection	Units digit:VDO1 0:Positive logic 1:Negative logic Tens digit: VDO2(0 to 1,same as above) Hundreds digit:VDO3(0 to 1,same as above) Thousands digit:VDO4(0 to 1,same as above) Tens of thousands digit:VDO5 ( 0 to 1,same as above )	00000	☆	
491.	E3.17	VDO1 output delay time	0.0s to 3600.0s	0.0s	☆	
492.	E3.18	VDO2 output delay time	0.0s to 3600.0s	0.0s	☆	



No.	Code	Parameter name	Setting range	Factory setting	Change limit
493.	E3.19	VDO3 output delay time	0.0s to 3600.0s	0.0s	☆
494.	E3.20	VDO4 output delay time	0.0s to 3600.0s	0.0s	☆
495.	E3.21	VDO5 output delay time	0.0s to 3600.0s	0.0s	☆
<p>VDO and DO output function is similar, can be used in conjunction with VDIx, to achieve some simple logic control.</p> <p>When VDOx output function is 0, output status is decided by DI1~DI5 input status on the control board, VDOx and Dix one-to-one correspondence.</p> <p>When the output function selection is not 0, VDOx function setting and using method is same as D0 in F2 output parameter, please read F2 group parameter description.</p> <p>The VDOx output valid status can be set by E3.16 setting, select positive logic or anti-logic.</p>					

### 5-2-18.Motor parameters: b0.00-b0.35

Code	Parameter name	Setting range	Factory setting	Change Limit	
b0.00	Motor type selection	General asynchronous motor	0	0	★
		Asynchronous inverter motor	1		
		Permanent magnet	2		
b0.01	Rated power	0.1kW to 1000.0kW	-	★	
b0.02	Rated voltage	1V to 2000V	-	★	
b0.03	Rated current	0.01A to 655.35A (inverter power $\leq$ 55kW) 0.1A to 6553.5A (inverter rate > 55kW)	-	★	
b0.04	Rated frequency	0.01Hz to F0.19 (maximum frequency)	-	★	
b0.05	Rated speed	1rpm to 36000rpm	-	★	
<p>Above b0.00 to b0.05 are the motor nameplate parameters, which affects the accuracy of the measured parameters. Please set up according to the motor nameplate parameters. The excellent vector control performance needs the accurate motor parameters. The accurate identification of parameters is derived from the correct setting of rated motor parameters.</p> <p>In order to guarantee the control performance, please configure your motor according to the inverter standards, the motor rated current is limited to between 30% to 100% of the</p>					

inverter rated current. The motor rated current can be set, but can not exceed the inverter rated current. This parameter can be used to determine the inverter's overload protection capacity and energy efficiency for the motor.

It is used for the prevention of overheating caused by the self-cooled motor at low speed, or to correct for protecting the motor when the little change of the motor characteristics may affect the changes of the motor capacity.

b0.06	Asynchronous motor stator resistance	0.001Ω to 65.535Ω (inverter power ≤ 55kW) 0.0001Ω to 6.5535Ω (inverter power > 55kW)	-	★
b0.07	Asynchronous motor rotor resistance	0.001Ω to 65.535Ω (inverter power ≤ 55kW) 0.0001Ω to 6.5535Ω (inverter power > 55kW)	-	★
b0.08	Asynchronous motor leakage inductance	0.01mH to 655.35mH (inverter power ≤ 55kW) 0.001mH to 65.535mH (inverter power > 55kW)	-	★
b0.09	Asynchronous motor mutual inductance	0.01mH to 655.35mH (inverter power ≤ 55kW) 0.001mH to 65.535mH (inverter power > 55kW)	-	★
b0.10	Asynchronous motor no-load current	0.01A to b0.03 (inverter power ≤ 55kW) 0.1A to b0.03 (inverter power > 55kW)	-	★

b0.06 to b0.10 are the asynchronous motor parameters, and generally these parameters will not appear on the motor nameplate and can be obtained by the inverter auto tuning. Among which, only three parameters of b0.06 to b0.08 can be obtained by Asynchronous Motor Parameters Still Auto Tuning; however, not only all five parameters but also encoder phase sequence and current loop PI parameters can be obtained by Asynchronous Motor Parameters Comprehensive Auto Tuning.

When modifying the motor's rated power (b0.01) or rated voltage (b0.02), the inverter will automatically calculate and modify the parameter values of b0.06 to b0.10, and restore these 5 parameters to the motor parameters of commonly used standard  $\gamma$  Series.

If the asynchronous motor parameters auto tuning can not be achieved on-site, you can enter the corresponding above parameters according to the parameters provided by the manufacturer.

b0.11	Synchronous motor stator	0.001Ω to 65.535Ω (inverter power ≤ 55kW) 0.0001Ω to 6.5535Ω (inverter power > 55kW)	-	★
b0.12	Synchronous D-axis inductance	0.01mH to 655.35mH (inverter power ≤ 55kW) 0.001mH to 65.535mH (inverter power > 55kW)	-	★

b0.13	Synchronous Q-axis inductance	0.01mH to 655.35mH (inverter power <= 55kW) 0.001mH to 65.535mH (inverter power > 55kW)		-	★
b0.14	Synchronous motor back-EMF	0.1V to 6553.5V		-	★
b0.15~b0.26	Reserve				
b0.27	Motor parameter auto tuning	No operation	0	0	★
		Asynchronous motor parameters still auto tuning	1		
		Asynchronous motor parameters comprehensive auto tuning	2		
		Synchronous motor parameters still auto tuning	11		
		Synchronous motor parameters comprehensive auto tuning	12		

If the motor is able to disengage the load, in order to obtain a better operating performance, you can choose comprehensive auto tuning; otherwise, you can only select parameters still auto tuning. Firstly set the parameter according to load condition, and then press RUN key, the inverter will perform parameters auto tuning. Parameters auto tuning can be performed only under keyboard operation mode, is not suitable for terminal operation mode and communication operation mode.

0: no operation, which prohibits parameters auto tuning.

1: asynchronous motor parameters still auto tuning

Motor type and motor nameplate parameters b0.00 to b0.05 must be set correctly before performing asynchronous motor parameters still auto tuning. The inverter can obtain b0.06 to b0.08 three parameters before performing asynchronous motor parameters still auto tuning.

2: asynchronous motor parameters comprehensive auto tuning

During asynchronous motor parameters comprehensive auto tuning, the inverter firstly performs parameters still auto tuning, and then accelerates up to 80% of the rated motor frequency according to the acceleration time F0.13, after a period of time, and then decelerates till stop according to the deceleration time F0.14 to end auto tuning.

Before performing asynchronous motor parameters comprehensive auto tuning, not only motor type and motor nameplate parameters b0.00 to b0.05 must be set properly, but also encoder type and encoder pulses b0.29, b0.28.

For asynchronous motor parameters comprehensive auto tuning, the inverter can obtain b0.06 to b0.10 five motor parameters, as well as the AB phase sequence b0.31 of encoder, vector control current loop PI parameters F5.12 to F5.15.

Motor type and motor nameplate parameters b0.00 to b0.05 must be set correctly before performing synchronous motor parameters still auto tuning For synchronous motor parameters still auto tuning, the inverter can obtain the initial position angle, and this is the necessary condition of normal operation of synchronous motor, therefore synchronous motor must perform parameters auto tuning for the first installation and before the initial use.

12: synchronous motor parameters comprehensive auto tuning

During synchronous motor parameters comprehensive auto tuning, the inverter firstly performs parameters still auto tuning, and then accelerates up to F0.01 according to the acceleration time F0.13, after a period of time, and then decelerates till stop according to the deceleration time F0.14 to end auto tuning. Please note that F0.01 must be set to a non-zero value when performing identification operation.

Before performing synchronous motor parameters comprehensive auto tuning, not only motor type and motor nameplate parameters b0.00 to b0.05 must be set properly, but also encoder pulses b0.29, encoder type b0.28, encoder pole-pairs b0.35.

For synchronous motor parameters comprehensive auto tuning, the inverter can obtain not only b0.11 to b0.14 motor parameters, as well as encoder information b0.31 b0.30

b0.28	Encoder type	ABZ incremental encoder	0	0	★
		UVW incremental encoder	1		
		Rotational transforme	2		
		Sine and cosine encoder	3		
		Wire-saving UVW encoder	4		

PI9000 supports multiple encoder types, the different encoders need different PG card, please correctly choose PG card. Synchronous motor can choose any of the 5 kinds of encoder, asynchronous motors generally only choose ABZ incremental encoder and rotational transformer.

PG card is installed, it is necessary to correctly set b0.28 according to the Actual sitE2tion, otherwise the inverter may not play correctly.

b0.29	Encoder every turn pulse number	1 to 65535	2500	★
b0.30	Encoder installation angle	0.00 to 359.90	0.00	★

The parameter is only valid to synchronous motors control, and it is valid to ABZ incremental encoder, UVW incremental encoder, rotational transformer, wire-saving UVW encoder, while invalid to sine and cosine encoders.

The parameter can used for obtaining parameters when performing synchronous motor parameters still auto tuning and synchronous motor parameters comprehensive auto tuning, and it is very important to the operation of asynchronous motors, therefore after the asynchronous motor is first installed, the motor parameter auto tuning must be performed for functioning correctly.

b0.31	ABZ incremental	Forward	0	0	★
-------	-----------------	---------	---	---	---

	encoder AB phase sequence	Backward	1		
<p>The function code is only valid to ABZ incremental encoder, that is valid only when b0.28 = 0. It is used to set the AB signal phase sequence of ABZ incremental encoder.</p> <p>The function codes are valid for asynchronous motors and synchronous motors, when performing asynchronous motor parameters comprehensive auto tuning or synchronous motor parameters comprehensive auto tuning, the AB phase sequence of ABZ incremental encoder can be obtained.</p>					
b0.32	UVW encoder offset angle	0.00 to 359.90	0.00		★
<p>The two parameters are valid only for synchronous motor with UUV encoder.</p> <p>The two parameters can be used for obtaining parameters when performing synchronous motor parameters still auto tuning and synchronous motor parameters comprehensive auto tuning, and the two parameters are very important to the operation of asynchronous motors, therefore after the asynchronous motor is first installed, the motor parameter auto tuning must be performed for functioning correctly.</p>					
b0.33	UVW encoder UUV phase sequence	Forward	0	0	★
		Backward	1		
b0.34	speed feedback PG disconnection detection time	0.0s: OFF	0.0s		★
		0.1s to 10.0s			
<p>It is used to set encoder disconnection fault detection time, when it is set to 0.0s, the inverter does not detect the disconnection fault of encoder.</p> <p>When the inverter detects a disconnection fault, and the fault lasts for more than b0.34 set time, the inverter gives out Alarm Err.20. message.</p>					
b0.35	Pole-pairs of rotary transformer	1 to 65535	1		★
<p>The rotary transformer has pole-pairs, the correct pole-pairs parameters must be set when using the kind of encoder.</p>					

### 5-2-19.Function code management:y0.00-y0.04

Code	Parameter name	Setting range	Factory setting	Change limits	
y0.00	Parameter initialization	No operation	0	0	★
		Restore the factory parameters,	1		
		Clear history	2		
		Restore default parameter values, including	3		
		Backup current user parameters	4		

		Restore user backup parameters	501		
<p>1: restore the factory setting, not including motor parameters          After y0.00 is set to 1, most of the inverter function parameters are restored to the factory default parameters, but motor parameters, frequency command decimal point (F0.02), fault recording information, cumulative running time , cumulative power-on time and cumulative power consumption will not be restored.</p> <p>2: clear history          To clear the history of the inverter's fault recording information, cumulative running time , cumulative power-on time and cumulative power consumption</p> <p>3: restore default parameter values including motor parameters 4: backup current user parameters          Backup the parameters set by the current user. Backup all function parameters. It is easy to restore the default settings when user incorrectly adjust parameters.</p> <p>501, Restore user backup parameters          Restore previous backup user parameters.</p>					
y0.01	User password	0 to 65535		0	☆
<p>When y0.01 is set to one any non-zero number, the password protection will take effect. You enter the menu for the next time, you must enter the password correctly, otherwise can not view and modify the function parameters, please keep in mind the set user password.</p> <p>When y0.01 is set to 0, the set user password will be cleared, the password protection function is invalid</p>					
y0.02	Function parameters display properties	Units digit	d group display selection	11111	★
		Not display	0		
		Display	1		
		Tens digit	E group display selection		
		Not display	0		
		Display	1		
		Hundreds digit	b group display selection		
		Not display	0		
		Display	1		
		Thousands digit	y group display selection		
		Not display	0		
		Display	1		
Tens	L group display				

		thousands digit	selection		
		Not display	0		
		Display	1		
y0.03	Personality parameter group display selection	Units digit:User's customization parameter display selection 0:not displays 1:displays Tens digit :User's change parameter display selection 0:not displays		00	☆
y0.04	Function code modification	Modifiable	0	0	☆
		Not modifiable	1		
<p>User can set whether function code parameter can be modified or not, so as to prevent the risk that function parameters are altered unexpectedly.</p> <p>If the function code is set to 0, all function code can be modified; while it is set to 1, all function code can only be viewed. can not be modified.</p>					

### 5-2-20.Fault query:y1.00-y1.30

Code	Parameter name	Setting range	Factory setting	Change limits												
y1.00	Type of the first fault	0 to 51	-	●												
y1.01	Type of the second fault	0 to 51	-	●												
y1.02	Type of the third(at	0 to 51	-	●												
<p>Record the type of the last three faults of inverter, 0 for no fault. Please refer to the related instructions for the possible causes and solutions for each fault code.</p> <p>Failure type table:</p> <table border="1"> <thead> <tr> <th>No.</th> <th>Failure type</th> </tr> </thead> <tbody> <tr> <td>0</td> <td>No fault</td> </tr> <tr> <td>1</td> <td>Inverter unit protection</td> </tr> <tr> <td>2</td> <td>Acceleration overcurrent</td> </tr> <tr> <td>3</td> <td>Deceleration overcurrent</td> </tr> <tr> <td>4</td> <td>Constant speed</td> </tr> </tbody> </table>					No.	Failure type	0	No fault	1	Inverter unit protection	2	Acceleration overcurrent	3	Deceleration overcurrent	4	Constant speed
No.	Failure type															
0	No fault															
1	Inverter unit protection															
2	Acceleration overcurrent															
3	Deceleration overcurrent															
4	Constant speed															

	overcurrent
5	Acceleration overvoltage
6	Deceleration overvoltage
7	Constant speed overvoltage
8	Reserve
9	Undervoltage
10	Inverter overload
11	Motor Overload
12	Input phase loss
13	Output phase loss
14	Module overheating
15	External fault
16	Communication abnormal
17	Contactora abnormal
18	Current detectio
19	Motor auto tuning abnormal
20	Encoder/PG card abnormal
21	Parameter read and write abnormal
22	Inverter hardware abnormal
23	Motor short to ground
24	Reserve
25	Reserve
26	Running time arrival
27	Custom fault 1
28	Custom fault 2
29	Power-on time arrival
30	Load drop
31	PID feedback loss when running
40	Fast current limiting timeout
41	Switch motor when



		running											
	42	Too large speed deviation											
	43	Motor overspeed											
	45	Motor overtemperature											
	51	Initial position error											
y1.03	Frequency of the third fault	Frequency of the last fault	•										
y1.04	Current of the third fault	Current of the last fault	•										
y1.05	Bus voltage of the third fault	Bus voltage of the last fault	•										
y1.06	Input terminal status of the third fault	<p>Input terminal status of the last fault, the order is:</p> <table border="1" style="margin-left: auto; margin-right: auto;"> <tr> <td>BIT9</td><td>BIT8</td><td>BIT7</td><td>BIT6</td><td>BIT5</td><td>BIT4</td><td>BIT3</td><td>BIT2</td><td>BIT1</td><td>BIT0</td> </tr> </table> <p style="text-align: center; font-size: small;">D10 D9 D8 D7 D6 D5 D4 D3 D2 D1</p> <p>When the input terminal is ON, the corresponding binary bits is 1, OFF is 0, all DI status is converted to the decimal number for display.</p>	BIT9	BIT8	BIT7	BIT6	BIT5	BIT4	BIT3	BIT2	BIT1	BIT0	•
BIT9	BIT8	BIT7	BIT6	BIT5	BIT4	BIT3	BIT2	BIT1	BIT0				
y1.07	Output terminal status of the third fault	<p>Output terminal status of the last fault, the order is:</p> <table border="1" style="margin-left: auto; margin-right: auto;"> <tr> <td>BIT4</td><td>BIT3</td><td>BIT2</td><td>BIT1</td><td>BIT0</td> </tr> </table> <p style="text-align: center; font-size: small;">REL2 SPA Reserve REL1 SPB</p> <p>When the input terminal is ON, the corresponding binary bits is 1, OFF is 0, all DI status is converted to the decimal number for display.</p>	BIT4	BIT3	BIT2	BIT1	BIT0	•					
BIT4	BIT3	BIT2	BIT1	BIT0									
y1.08	Inverter status of the third fault	Reserve	•										
y1.09	Power-on time of the third fault	Current power-on time of the last fault	•										
y1.10	Running time of the third fault	Current running time of the last fault	•										



y1.11~y1.12	Reserve												
y1.13	Frequency of the	Frequency of the last fault	•										
y1.14	Current of the second fault	Current of the last fault	•										
y1.15	Bus voltage of the second fault	Bus voltage of the last fault	•										
y1.16	Input terminal status of the second fault	<p>Input terminal status of the last fault, the order is:</p> <table border="1" style="margin-left: auto; margin-right: auto;"> <tr> <td>BIT9</td><td>BIT8</td><td>BIT7</td><td>BIT6</td><td>BIT5</td><td>BIT4</td><td>BIT3</td><td>BIT2</td><td>BIT1</td><td>BIT0</td> </tr> </table> <p style="text-align: center;">D10 D9 D8 D7 D6 D5 D4 D3 D2 D1</p> <p>When the input terminal is ON, the corresponding binary bits is 1, OFF is 0, all DI status is converted to the decimal number for display.</p>	BIT9	BIT8	BIT7	BIT6	BIT5	BIT4	BIT3	BIT2	BIT1	BIT0	•
BIT9	BIT8	BIT7	BIT6	BIT5	BIT4	BIT3	BIT2	BIT1	BIT0				
y1.17	Output terminal status of the second fault	<p>Output terminal status of the last fault, the order is:</p> <table border="1" style="margin-left: auto; margin-right: auto;"> <tr> <td>BIT4</td><td>BIT3</td><td>BIT2</td><td>BIT1</td><td>BIT0</td> </tr> </table> <p style="text-align: center;">REL2 SPA Reserve REL1 SPB</p> <p>When the input terminal is ON, the corresponding binary bits is 1, OFF is 0, all DI status is converted to the decimal number for display.</p>	BIT4	BIT3	BIT2	BIT1	BIT0	•					
BIT4	BIT3	BIT2	BIT1	BIT0									
y1.18	Inverter status of the second fault	Reserve	•										
y1.19	Power-on time of the second fault	Current power-on time of the last fault	•										
y1.20	Running time of the second fault	Current running time of the last fault	•										
y1.21~y1.22	Reserve												
y1.23	Frequency of the first	Frequency of the last fault	•										



	fault												
y1.24	Current of the first fault	Current of the last fault	•										
y1.25	Bus voltage of the first fault	Bus voltage of the last fault	•										
y1.26	Input terminal status of the first fault	<p>Input terminal status of the last fault, the order is:</p> <table border="1" style="margin-left: auto; margin-right: auto;"> <tr> <td>BIT9</td><td>BIT8</td><td>BIT7</td><td>BIT6</td><td>BIT5</td><td>BIT4</td><td>BIT3</td><td>BIT2</td><td>BIT1</td><td>BIT0</td> </tr> </table> <p style="text-align: center; font-size: small;">D10 D9 D8 D7 D6 D5 D4 D3 D2 D1</p> <p>When the input terminal is ON, the corresponding binary bits is 1, OFF is 0, all DI status is converted to the decimal number for display.</p>	BIT9	BIT8	BIT7	BIT6	BIT5	BIT4	BIT3	BIT2	BIT1	BIT0	•
BIT9	BIT8	BIT7	BIT6	BIT5	BIT4	BIT3	BIT2	BIT1	BIT0				
y1.27	Output terminal status of the first fault	<p>Output terminal status of the last fault, the order is:</p> <table border="1" style="margin-left: auto; margin-right: auto;"> <tr> <td>BIT4</td><td>BIT3</td><td>BIT2</td><td>BIT1</td><td>BIT0</td> </tr> </table> <p style="text-align: center; font-size: small;">REL2 SPA Reserve REL1 SPB</p> <p>When the input terminal is ON, the corresponding binary bits is 1, OFF is 0, all DI status is converted to the decimal number for display.</p>	BIT4	BIT3	BIT2	BIT1	BIT0	•					
BIT4	BIT3	BIT2	BIT1	BIT0									
y1.28	Inverter status of the first fault	Reserve	•										
y1.29	Power-on time of the first	Current power-on time of the last fault	•										
y1.30	Running time of the first	Current running time of the last fault	•										



## Chapter 6 EMC (Electromagnetic Compatibility)

### 6-1. Definition

Electromagnetic compatibility refers to the ability that the electric equipment runs in an electromagnetic interference environment and implements its function stably without interferences on the electromagnetic environment.

### 6-2. EMC standard

In accordance with the requirements of the Chinese national standard GB/T12668.3, the inverter must comply with the requirements of electromagnetic interference and anti- electromagnetic interference.

Our existing products adopt the latest international standards: IEC/EN61800-3: 2004 (Adjustable speed electrical Power drive systems Part 3: EMC requirements and specific test methods), which is equivalent to the Chinese national standards GB/T12668.3. IEC/EN61800-3 assesses the inverter in terms of electromagnetic interference and anti-electronic interference. Electromagnetic interference mainly tests the radiation interference, conduction interference and harmonics interference on the inverter (necessary for civil inverter)

Anti-electromagnetic interference mainly tests the conduction immunity, radiation immunity, surge immunity, EFTB(Electrical Fast Transient Bursts) immunity, ESD immunity and power low frequency end immunity (the specific test items includes: 1. Immunity tests of input voltage sag, interrupt and change; 2. commutation notch immunity; 3. harmonic input immunity ; 4. input frequency change; 5. input voltage unbalance; 6. input voltage fluctuation). The tests shall be conducted strictly in accordance with the above requirements of IEC/EN61800-3, and our products are installed and used according to the guideline of the Section 7.3 and can provide good electromagnetic compatibility in general industry environment.

### 6-3. EMC directive

#### 6-3-1. Harmonic effect

The higher harmonics of power supply may damage the inverter. Thus, at some places where the quality of power system is relatively poor, it is recommended to install AC input reactor.

#### 6-3-2. Electromagnetic interference and installation precautions

There are two kinds of electromagnetic interferences, one is the interference from electromagnetic noise in the surrounding environment to the inverter, and the other is the interference from the inverter to the surrounding equipments.

Installation Precautions:

- 1) The earth wires of the Inverter and other electric products shall be well grounded;
- 2) The power cables of the inverter power input and output and the cable of weak current signal (e.g. control line) shall not be arranged in parallel but in vertical if possible.

3) It is recommended that the output power cables of the inverter shall use shield cables or steel pipe shielded cables and that the shielding layer shall be grounded reliably, the lead cables of the equipment suffering interferences shall use twisted-pair shielded control cables, and the shielding layer shall be grounded reliably.

4) When the length of motor cable is longer than 30 meters, it needs to install output filter or reactor.

### **6-3-3. Remedies for the interferences from the surrounding electromagnetic equipments to the inverter**

Generally the electromagnetic interference on the inverter is generated by plenty of relays, contactors and electromagnetic brakes installed near the inverter. When the inverter has error action due to the interferences, the following measures is recommended:

- 1) Install surge suppressor on the devices generating interference;
- 2) Install filter at the input end of the inverter, please refer to Section 6.3.6 for the specific operations.

3) The lead cables of the control signal cable of the inverter and the detection line shall use the shielded cable and the shielding layer shall be grounded reliably.

### **6-3-4. Remedies for the interferences from the inverter to the surrounding electromagnetic equipments**

These noise interferences are classified into two types: one is the radiation interference of the inverter, and the other is the conduction interference of the inverter. These two types of interferences cause that the surrounding electric equipments suffer from the affect of electromagnetic or electrostatic induction. Further, the surrounding equipment produces error action. For different interferences, please refer to the following remedies:

1) Generally the meters, receivers and sensors for measuring and testing have more weak signals. If they are placed nearby the inverter or together with the inverter in the same control cabinet, they easily suffer from interference and thus generate error actions. It is recommended to handle with the following methods: away from the interference source as far as possible; do not arrange the signal cables with the power cables in parallel and never bind them together; both the signal cables and power cables shall use shielded cables and shall be well grounded; install ferrite magnetic ring (with suppressing frequency of 30 to 1, 000MHz) at the output side of the inverter and wind it 2 to 3 turns; install EMC output filter in more severe conditions.

2) When the interfered equipment and the inverter use the same power supply, it may cause conduction interference. If the above methods cannot remove the interference, it shall install EMC filter between the inverter and the power supply (refer to Section 6.3.6 for the selection operation);

3) The surrounding equipment shall be separately grounded, which can avoid the interference caused by the leakage current of the inverter's grounding wire when common grounding mode is adopted.

### **6-3-5. Remedies for leakage current**

There are two forms of leakage current when using the inverter. One is leakage

current to the earth, and the other is leakage current between the cables.

1) Factors of affecting leakage current to the earth and its solutions:

There are the distributed capacitance between the lead cables and the earth.

The larger the distributed capacitance, the larger the leakage current; the distributed capacitance can be reduced by effectively reducing the distance

between the inverter and the motor. The higher the carrier frequency, the larger the leakage current. The leakage current can be reduced by reducing the carrier frequency.

However, the carrier frequency reduced may result in

the increase of motor noise. Please note that additional installation of reactor is also an effective method to solve leakage current problem.

The leakage current may increase with the increase of circuit current. Therefore, when the motor power is higher, the corresponding leakage current will be higher too.

2) Factors of producing leakage current between the cables and its solutions:

There is the distributed capacitance between the output cables of the inverter. If the current passing lines has higher harmonic, it may cause resonance and thus result in leakage current. If the thermal relay is used, it may generate error action.

The solution is to reduce the carrier frequency or install output reactor. It is recommended that the thermal relay shall not be installed in the front of the motor when using the inverter, and that electronic over current protection function of the inverter shall be used instead.

### **6-3-6. Precautions on installing EMC input filter at the input end of power supply**

1) Note: when using the inverter, please follow its rated values strictly. Since the filter belongs to Classification I electric appliances, the metal enclosure of the filter and the metal ground of the installing cabinet shall be well earthed in a large area, and have good conduction continuity, otherwise there may be danger of electric shock and the EMC effect may be greatly affected. Through the EMC test, it is found that the filter ground end and the PE end of the inverter must be connected to the same public earth end, otherwise the EMC effect may be greatly affected.

2) The filter shall be installed at a place close to the input end of the power supply as much as possible.



## Chapter 7 Troubleshooting

PI9000 can provide effective protection when the equipment performance is played fully. The following faults may appear in the process of use, please refer to the following table to analyze the possible causes and then trouble shoot.

In case of damage to the equipment and the reasons that can not solved, please contact with your local dealers/agents, or directly contact with the manufacturers to seek solutions.

### 7.1 Fault alarm and countermeasures

PI9000 can provide effective protection when the equipment performance is played fully. In case of abnormal fault, the protection function will be invoked, the inverter will stop output, and the faulty relay contact of the inverter will start, and the fault code will be displayed on the display panel of the inverter. Before consulting the service department, user can perform self-check , analyze the fault cause and find out the solution according to the instructions of this chapter. If the fault is caused by the reasons as described in the dotted frame, please consult the agents of inverter or directly contact with our company.

No.	Fault ID	Failure type	Possible causes	Solutions
1	Err.01	Inverter unit protection	1.the short circuit of inverter output happens 2.the wiring for the motor and the inverter is too long 3.module overheating 4.the internal wiring of inverter is loose 5.the main control panel is abnormal 6.the drive panel is abnormal. 7.the inverter module is abnormal	1.eliminate peripheral faults 2.additionally install the reactor or the output filter 3.check the air duct is blocked or not and the fan is working normally or not and eliminate 4.correctly plug all cables 5.seek for technical support
2	Err.02	Acceleration overcurrent	1.the acceleration time is too short 2.manual torque boost or V/F curve is not suitable 3.the voltage is low 4.the short-circuit or earthing of inverter output happens 5.the control mode is vector	1.increase acceleration time 2.adjust manual torque boost or V/F curve 3.set the voltage to the normal range 4.eliminate peripheral faults 5.perform identification

No.	Fault ID	Failure type	Possible causes	Solutions
			<p>and without identification of parameters</p> <p>6.the motor that is rotating is started unexpectedly.</p> <p>7.suddenly increase the load in the process of acceleration.</p> <p>8.the type selection of inverter is small</p>	<p>for the motor parameters</p> <p>6.select Speed Tracking Start or restart after stopping the motor.</p> <p>7.cancel the sudden load</p> <p>8.choose the inverter with large power level</p>
3	Err.03	Deceleration overcurrent	<p>1.the short-circuit or earthing of inverter output happens</p> <p>2.the control mode is vector and without identification of parameters</p> <p>3.the deceleration time is too short</p> <p>4.the voltage is low</p> <p>5.suddenly increase the load in the process of deceleration.</p> <p>6.didn't install braking unit</p>	<p>1.eliminate peripheral faults</p> <p>2.perform identification for the motor parameters</p> <p>3.increase the deceleration time</p> <p>4.set the voltage to the normal range</p> <p>5.cancel the sudden load</p> <p>6.install braking unit and brake resistor</p>
4	Err.04	Constant speed overcurrent	<p>1.the short-circuit or earthing of inverter output happens</p> <p>2.the control mode is vector and without identification of parameters</p> <p>3.the voltage is low</p> <p>4, whether suddenly increase the load when running</p>	<p>1.eliminate peripheral faults</p> <p>2.perform identification for the motor parameters</p> <p>3.set the voltage to the normal range</p> <p>4.cancel the sudden load</p> <p>5.choose the inverter with large power level</p>
5	Err.05	Acceleration overvoltage	<p>1.didn't install braking unit and braking resistor</p> <p>2.the input voltage is high</p> <p>3.there is external force to drag the motor to run</p>	<p>1.install braking unit and brake resistor</p> <p>2.set the voltage to the normal range</p> <p>3.cancel the external force</p>



No.	Fault ID	Failure type	Possible causes	Solutions
			accelerating. 4.the acceleration time is too short	or install braking resistor. 4.increase acceleration time
6	Err.06	Deceleration overvoltage	1.the input voltage is high 2.there is external force to drag the motor to run when decelerating. 3.the deceleration time is too short 4.didn't install braking unit and braking resistor	1.set the voltage to the normal range 2.cancel the external force or install braking resistor. 3.increase the deceleration time 4.install braking unit and brake resistor
7	Err.07	Constant speed overvoltage	1.there is external force to drag the motor to run when running 2.the input voltage is high	1.cancel the external force or install braking resistor. 2.set the voltage to
8	Reserve			
9	Err.09	Undervoltage fault	1.the momentary power cut 2.the inverter's input voltage is not within the specification 3.the bus voltage is not normal 4.the rectifier bridge and buffer resistance are abnormal 5.the drive panel is abnormal. 6.the control panel is	1.reset fault 2.adjust the voltage to the normal range 3.seek for technical support
10	Err.10	Inverter overload	1.the type selection of inverter is small 2.whether the load is too large or the motor stall occurs	1.choose the inverter with large power level 2.reduce the load and check the motor and its mechanical conditions

11	Err.11	Motor Overload	<ol style="list-style-type: none"> <li>1.the type selection of inverter is small</li> <li>2.whether the setting motor protection parameters (F8.03) is appropriate or not</li> <li>3.whether the load is too</li> </ol>	<ol style="list-style-type: none"> <li>1.choose the inverter with large power level</li> <li>2.correctly set this parameter.</li> <li>3.reduce the load and check the motor and its</li> </ol>
----	--------	----------------	---	--



No.	Fault ID	Failure type	Possible causes	Solutions
			large or the motor stall occurs	mechanical conditions
12	Err.12	Input phase loss	<ol style="list-style-type: none"> <li>1.the drive panel is abnormal.</li> <li>2.the lightning protection plate is abnormal</li> <li>3.the main control panel is abnormal</li> <li>4.the three-phase input power is not normal</li> </ol>	<ol style="list-style-type: none"> <li>1.replace the drive, the power board or contactor</li> <li>2.seek for technical support</li> <li>3.check and eliminate the existing problems in the peripheral line</li> </ol>
13	Err.13	Output phase loss	<ol style="list-style-type: none"> <li>1.the lead wires from the inverter to the motor is not normal</li> <li>2.the inverter's three phase output is unbalanced when the motor is running</li> <li>3.the drive panel is abnormal.</li> <li>4.the module is abnormal</li> </ol>	<ol style="list-style-type: none"> <li>1.eliminate peripheral faults</li> <li>2.check the motor's three- phase winding is normal or not and eliminate faults</li> <li>3.seek for technical support</li> </ol>
14	Err.14	Module overheating	<ol style="list-style-type: none"> <li>1.the air duct is blocked</li> <li>2.the fan is damaged</li> <li>3.the ambient temperature is too high</li> <li>4.the module thermistor is damaged</li> <li>5.the inverter module is damaged</li> </ol>	<ol style="list-style-type: none"> <li>1.clean up the air duct</li> <li>2.replace the fan</li> <li>3.decrease the ambient temperature</li> <li>4.replace the thermistor</li> <li>5.replace the inverter module</li> </ol>
15	Err.15	External equipment	Input external fault signal through the multi-function terminal DI	Reset run
16	Err.16	Communication fault	<ol style="list-style-type: none"> <li>1.the communication cable is not normal</li> <li>2.the settings for communication expansion card F9.07 are incorrect</li> <li>3.the settings for communication parameters F9 group are incorrect</li> <li>4.the host computer is not</li> </ol>	<ol style="list-style-type: none"> <li>1.check the communication cable</li> <li>2.correctly set the communications expansion card type</li> <li>3.correctly set communication parameters</li> <li>4.check the wiring of host</li> </ol>

working properly

computer



No.	Fault ID	Failure type	Possible causes	Solutions
17	Err.17	Contacteur fault	1.input phase loss 2.the drive plate and the contact are not normal	1.check and eliminate the existing problems in the peripheral line 2.replace the drive, the power board or
18	Err.18	Current detection fault	1. Check Hall device 2.the drive panel is abnormal.	1.replace the drive panel 2.replace hall
19	Err.19	Motor parameter auto tuning fault	1.the motor parameters was not set according to the nameplate 2.the identification process of parameter is timeout	1.correctly set motor parameter according to the nameplate 2.check the lead wire from the inverter to the motor
20	Err.20	Disk code fault	1.the encoder is damaged 2.PG card is abnormal 3.the encoder model does not match	1.replace the encoder 2.replace the PG card 3.correctly set the encoder model according to the Actual conditions 4.eliminate the line fault
21	Err.21	EEPROM read and write fault	EEPROM chip is damaged	Replace the main control panel
22	Err.22	Inverter hardware fault	1.overvoltage 2.overcurrent	1.eliminate overvoltage fault 2.eliminate overcurrent fault
23	Err.23	Short-circuit to ground fault	Motor short to ground	Replace the cable or motor
26	Err.26	Cumulative running time arrival fault	Cumulative running time arrival fault	Clear history information by using initialization function parameters
27	Err.27	Custom fault 1	Input custom fault 1 signal through the multi-function terminal DI	Reset run
28	Err.28	Custom fault 2	Input custom fault 2 signal through the multi-function terminal DI	Reset run
29	Err.29	Total power-on time arrival fault	Total power-on time reaches the set value	Clear history information by using initialization function parameters
30	Err.30	Load drop fault	The inverter running current is less than F8.31	Confirm whether the load is removed or not or

No.	Fault ID	Failure type	Possible causes	Solutions
				settings for parameter(F8.31, F8.32) accord with the Actual operating conditions
31	Err.31	PID feedback loss when running fault	PID feedback is less than the set value of E2.11	Check PID feedback signal or set E2.11 to an appropriate value
40	Err.40	Cycle-by-cycle current limiting fault	<ol style="list-style-type: none"> <li>1.whether the load is too large or the motor stall occurs</li> <li>2.the type selection of inverter is small</li> </ol>	<ol style="list-style-type: none"> <li>1.reduce the load and check the motor and its mechanical conditions</li> <li>2.choose the inverter with large power level</li> </ol>
41	Err.41	Switch motor when running fault	Change current motor through the terminal when the inverter is running	Switch motor after the inverter stops
42	Err.42	Too large speed deviation fault	<ol style="list-style-type: none"> <li>1.the setting for Too Large Speed Deviation parameters(F8.15, F8.16) is unreasonable.</li> <li>2.the setting for encoder parameters is incorrect</li> <li>3.the parameter was not</li> </ol>	<ol style="list-style-type: none"> <li>1.reasonably set the detection parameters</li> <li>2.correctly set encoder parameters</li> <li>3.perform identification for the motor parameters</li> </ol>
43	Err.43	Motor over speed fault	<ol style="list-style-type: none"> <li>1.the parameter was not identified</li> <li>2.the setting for encoder parameters is incorrect</li> <li>3.the setting for motor over speed detection parameter(F8.13, F8.14) is</li> </ol>	<ol style="list-style-type: none"> <li>1.perform identification for the motor parameters</li> <li>2.correctly set encoder parameters</li> <li>3.reasonably set the detection</li> </ol>
45	Err.45	Motor over temperature fault	<ol style="list-style-type: none"> <li>1.the wiring of temperature sensor is loose</li> <li>2.the motor temperature is too high</li> </ol>	<ol style="list-style-type: none"> <li>1.Detect the wiring of temperature sensor wiring and eliminate fault.</li> <li>2.decrease carrier frequency or take other cooling measures to</li> </ol>

51	Err.51	Initial position error	the deviation between the motor parameters and the actual	reconfirm the correct motor parameters, focus on whether the
----	--------	------------------------	---	--



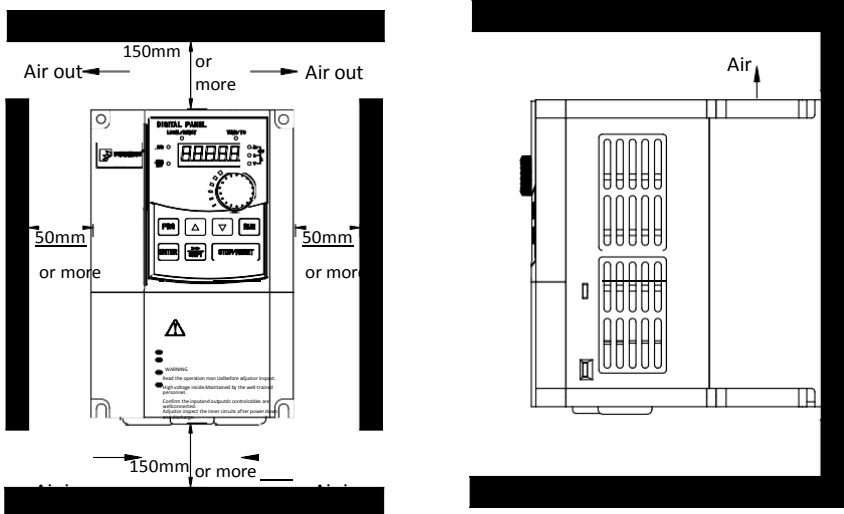
## Chapter 8 Installation and spare circuit

### 8-1. Operating environment

- (1) Ambient temperature  $-10^{\circ}\text{C}$  to  $40^{\circ}\text{C}$ .
- (2) Prevent electromagnetic interference, and away from interference sources.
- (3) Prevent the ingress of droplets, vapor, dust, dirt, lint and metal fine powder.
- (4) Prevent the ingress of oil, salt and corrosive gases.
- (5) Avoid vibration.
- (6) Avoid high temperature and humidity or exposure to rain, humidity shall be less than 90% RH (non-condensing).
- (7) Never use in the dangerous environment of flammable, combustible, explosive gas, liquid or solid.

### 8-2. Installation direction and space

The inverter shall be installed in the room where it is well ventilated, the wall-mounted installation shall be adopted, and the inverter must keep enough space around adjacent items or baffle (wall). As shown below figure:

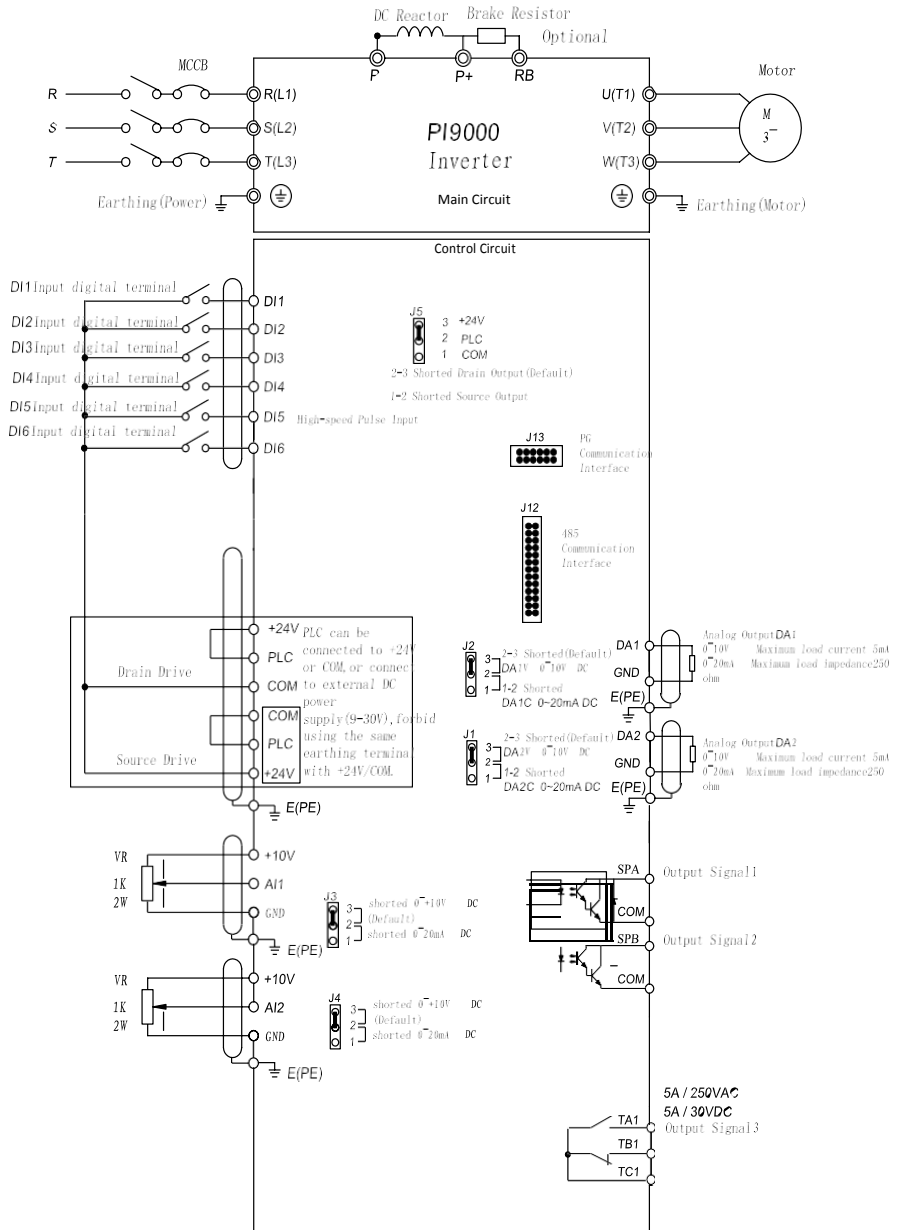


### 8-3. Wiring diagram

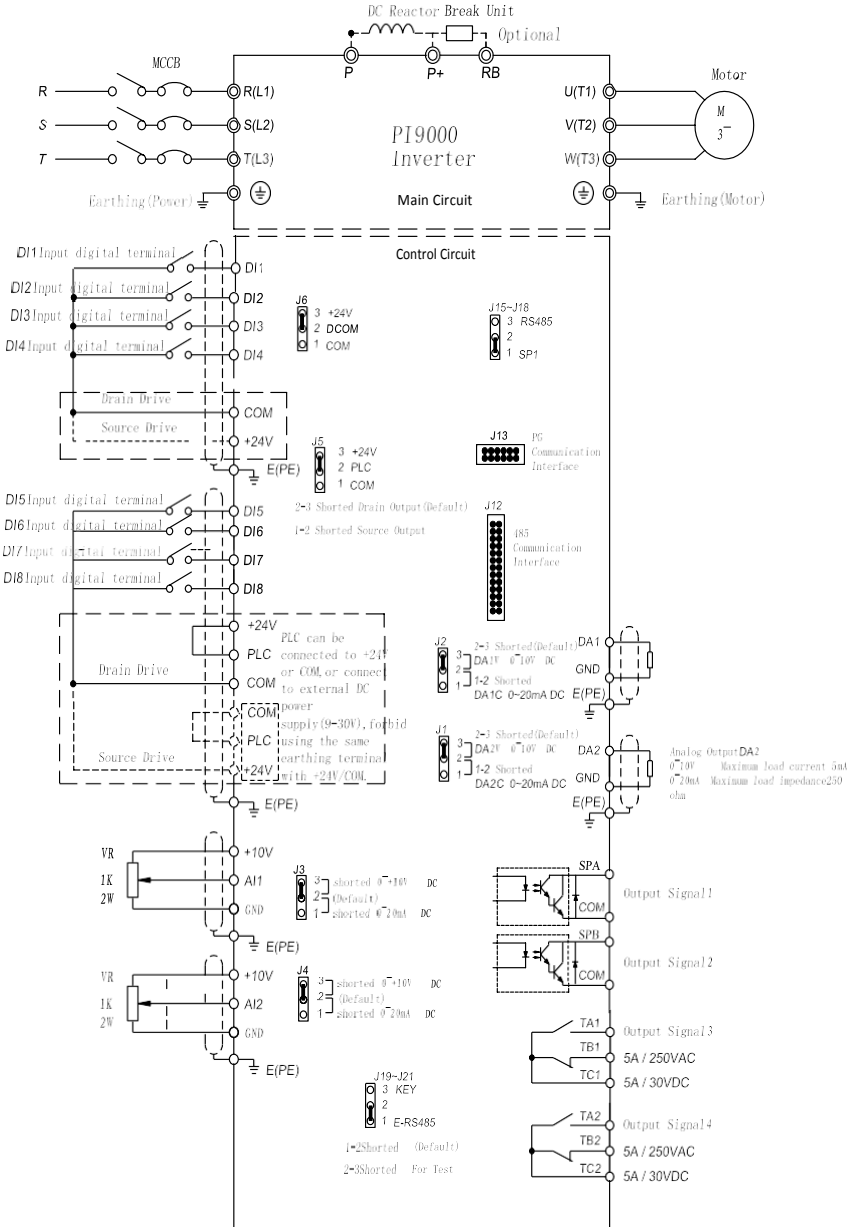
The wiring of inverter is divided into two parts of main circuit and control circuit. User must correctly connect in accordance with the wiring circuit as shown in the following figure.



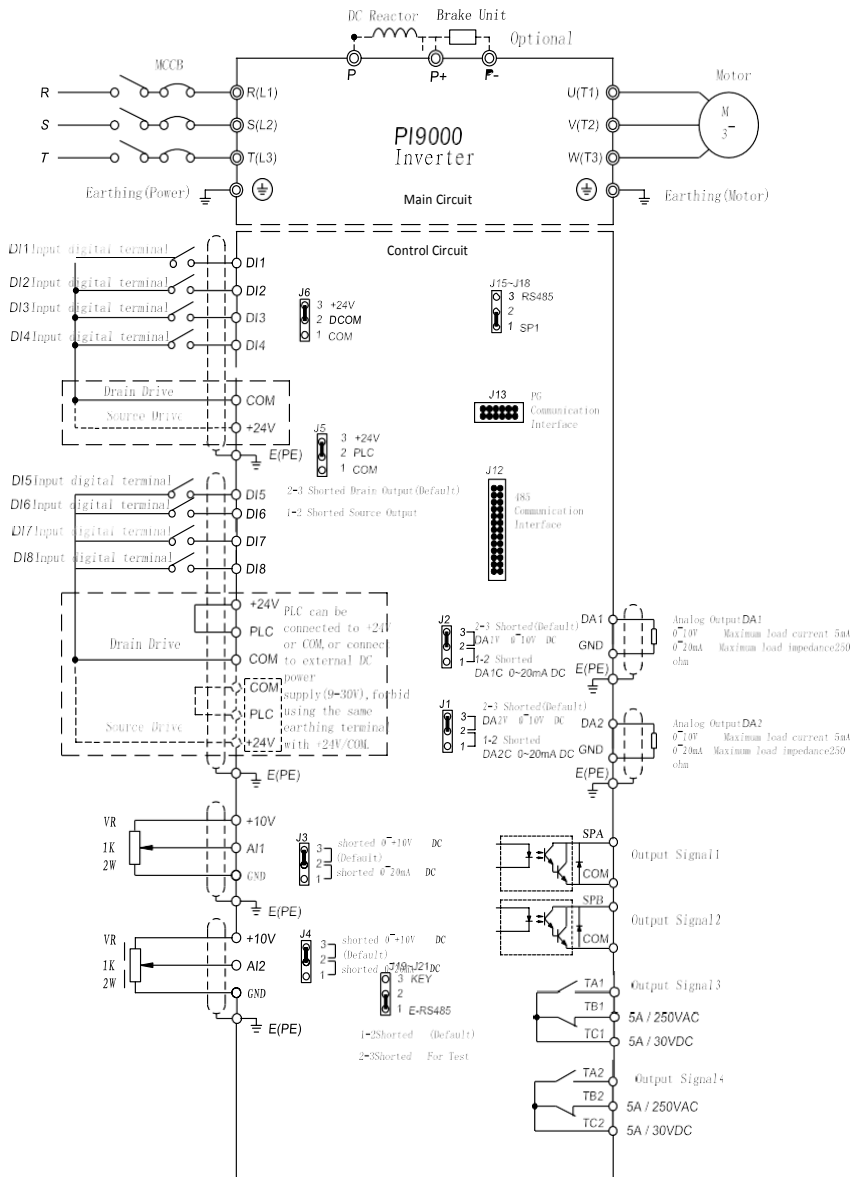
### 8-3-1. Wiring diagram (< 11kW)



### 8-3-2. Wiring diagram (11kW to 15kW)



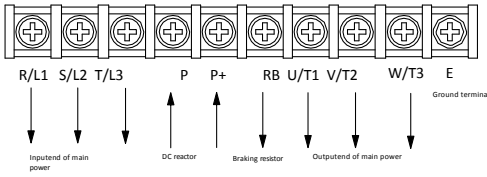
### 8-3-3. Wiring diagram (18.5kW to 355kW)



## 8-4. Main circuit terminal (G type)

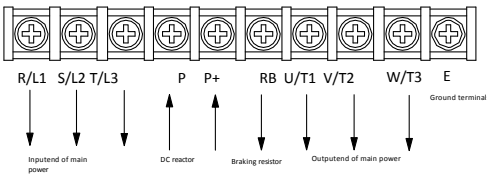
### 8-4-1. PI9000 main circuit terminal

#### 1. Main circuit terminal (<7.5KW, 380V)

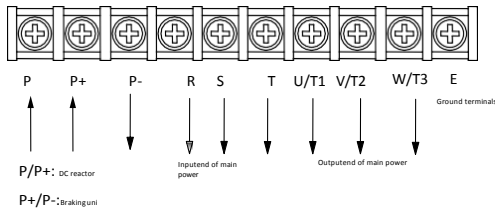


Note: the above power classification is relative to G-type machine.

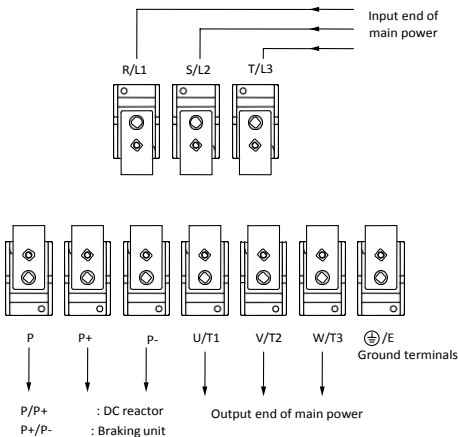
#### 2. Main circuit terminal (11kW to 15kW, 380V)



#### 3. Main circuit terminal (18.5kW to 355kW, 380V) (Left In, Right Out)




#### 4. Main circuit terminal (45kW to 220kW, 380V) (Up In, Down Out)



Note: P/P+ standard configuration is for the shorted state; if external DC reactor is

connected, firstly disconnect and then reconnect.

### 8-4-2. Function description of main circuit terminal

Terminals	Name	Description
R/L1	Inverter input terminals	Connect to three-phase power supply, single-phase connects to R, T
S/L2		
T/L3		
 /E	Ground terminals	Connect to ground
P+, RB	Braking resistor terminals	Connect to braking resistor
U/T1	Output terminals	Connect to three-phase motor
V/T2		
W/T3		
P+, P-	DC bus output terminals	Connect to braking unit
P, P+	DC reactor terminals	Connect to DC reactor(remove the shorting block)

### 8-5. Control circuit terminals

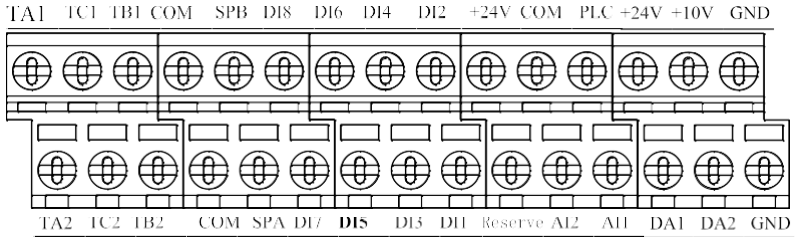
#### 8-5-1. Description of control circuit terminals

Category	Symbol	Name	Function
Power supply	+10V-GND	External +10V power supply	Output +10V power supply, maximum output current: 10mA Generally it is used as power supply of external potentiometer, <u>potentiometer resistance range: 1k<math>\Omega</math></u>
	+24V-COM	External+24V power supply	Output +24V power supply, generally it is used as power supply of digital input and output terminals and external sensor. <u>Maximum outout current: 200mA</u>
	PLC	External power input	When external signal is used to drive, please unplug J5 jumpers, PLC must be connected to external power supply, and to +24V (default).
Analog input	AI1-GND	Analog input terminal 1	1. Input range :( DC 0V to 10V/0 to 20mA), depends on the selected J3 jumper on control panel. 2. Input impedance: 22k $\Omega$ with voltage input, 500 $\Omega$ with current input.
	AI2-GND	Analog input terminal 2	1. Input range:(DC 0V to 10V/0 to 20mA), depends on the selected J4 jumper on

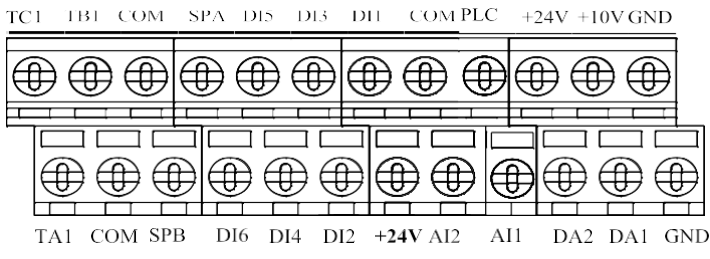
			panel. 2.Input impedance: 22k $\Omega$ with voltage input, 500 $\Omega$ with current input.
Digital input	DI1	Digital input 1	1.Opto-coupler isolation, compatible with bipolar input 2.Input impedance: 2.4k $\Omega$ 3.Voltage range with level input: 9V to 30V 4. Below 11KW: (DI1 to DI6)drive manner is controlled by J5, when external power supply is used to drive, please unplug J5 jumpers , 5. Above 11KW: (DI1 to DI4)drive manner is controlled by J6, (DI5 to DI8)drive manner is controlled by J5, when external power supply is used to drive, please unplug J5
	DI2	Digital input 2	
	DI3	Digital input 3	
	DI4	Digital input 4	
	DI5	Digital input 5	
	DI6	Digital input 6	
	DI7	Digital input 7	
	DI8	Digital input 8	
	DI5	High-speed pulse input terminals	DI5 can also be used as high-speed pulse input channels. Maximum input frequency: 100kHz
Analog output	DA1- GND	Analog output 1	The selected J2 jumper on control panel determines voltage or current output. Output voltage range: 0V to 10V , output current range: 0mA to 20mA
	DA2- GND	Analog output 2	The selected J1 jumper on control panel determines voltage or current output. Output voltage range: 0V to 10V , output current range: 0mA to 20mA
Digital output	SPA-COM	Digital output 1	Opto-coupler isolation, bipolar open collector output Output voltage range: 0V to 24V , output current range: 0mA to 50mA
	SPB-COM	Digital output 2	
		SPB-COM	High-speed pulse output
Relay output	T/A1-T/C1	Normally open	Contactor drive capacity: AC250V, 3A, COS $\phi$ = 0.4.
	T/B1-T/C1	Normally closed terminals	
Auxiliary interface	J12	485 card interface	26-pin terminal
	J13	PG card interface	12-pin terminal

## 8-5-2. Arrangement of control circuit terminals



### 1. 9KLCB board control circuit terminals



### 2. 9KSCB board control circuit terminals



## 8-6. Wiring Precautions:

	<p><b>Danger</b></p> <p>Make sure that the power switch is in the OFF state before wiring operation, or electrical shock may occur!  Wiring must be performed by a professional trained personnel, or this may cause damage to the equipment and personal injury!  Must be grounded firmly, otherwise there is a danger of electric shock or fire hazard !</p>
	<p><b>Note</b></p> <p>Make sure that the input power is consistent with the rated value of inverter, otherwise which may cause damage to the inverter!  Make sure that the motor matches the inverter, otherwise which may cause damage to the motor or activate the inverter protection!  Do not connect power supply to U/T1, V/T2, W/T3 terminals, otherwise which may cause damage to the inverter!  Do not directly connect braking resistor to DC bus (P), (P+) terminals, otherwise which may cause a</p>

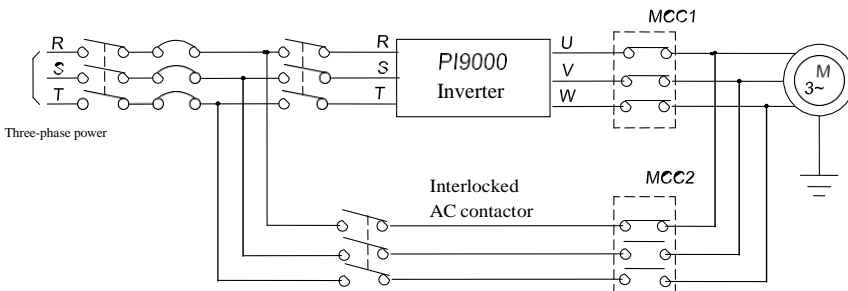
- ⊗ The U, V, W output end of inverter can not install phase advancing capacitor or RC absorbing device. The inverter input power must be cut off when replacing the motor
- ⊗ Do not let metal chips or wire ends into inside the inverter when wiring, otherwise which may cause malfunction to the inverter.
- ⊗ Disconnect motor or switch power-frequency power supply only when the inverter stops output

- ※ In order to minimize the effects of electromagnetic interference, it is recommended that a surge absorption device shall be installed additionally when electromagnetic contactor and relay is closer from the inverter.
- ※ External control lines of inverter shall adopt isolation device or shielded wire.
- ※ In addition to shielding, the wiring of input command signal should also be aligned separately, it is best to stay away from the main circuit wiring.
- ※ If the carrier frequency is less than 3KHz, the maximum distance between the inverter and the motor should be within 50 meters; if the carrier frequency is greater than 4KHz, the distance should be reduced appropriately, it is best to lay the wiring inside metal tube.
- ※ When the inverter is additionally equipped with peripherals (filter, reactor, etc.), firstly measure its insulation resistance to ground by using 1000 volt megger, so as to ensure the measured value is no less than 4 megohms.
- ※ When the inverter need to be started frequently, do not directly turn power off, only the control terminal or keyboard or RS485 operation command can be used to control the start/stop operation, in order to avoid damage to the rectifier bridge.
- ※ Do not connect the AC input power to the inverter output terminals(U, V, W).
- ※ To prevent the occurrence of an accident, the ground terminal( ) must be earthed firmly(grounding impedance should be less than 10 ohms), otherwise the leakage current will occur.
- ※ The specifications on wires used by the main circuit wiring shall comply with the relevant provisions of the National Electrical Code.
- ※ The motor's capacity should be equal to or less than the inverter's capacity.

### 8-7.Spare Circuit

When the inverter occurs the fault or trip, which will cause a larger loss of downtime or other unexpected faults. In order to avoid this case from happening, please additionally install spare circuit to ensure safety.

Note: the characteristics of spare circuit must be confirmed and tested beforehand, and its power-frequency shall be in accordance with the phase sequence of the inverter.





## Chapter 9 Maintenance and Repair

### 9-1. Inspection and Maintenance

During normal use of the inverter, in addition to routine inspections, the regular inspections are required (e.g. the overhaul or the specified interval, and the interval shall not exceed 6 months), please refer to the following table to implement the preventive measures.

Check Date		Check Points	Check Items	Check to be done	Method	Criterion
Routine	Regular					
√		Display	LED display	Whether display is abnormal or not	Visually check	As per use
√	√	Cooling system	Fan	Whether abnormal noise or vibration exists	Visually and audibly check	No abnormal
√		Body	Surrounding conditions	Temperature, humidity, dust, harmful gas.	Visually check with smelling and feeling	As per Section 2-1
√		Input/output terminals	Voltage	Whether input/output voltage is abnormal or not	Test R, S, T and U, V, W terminals	As per standard specifications
	√	Main circuit	Overall	Whether these phenomenon of loose fastenings, overheat, discharging, much dust, or blocked air duct exist or not	Visually check, tighten and clean	No abnormal
			Electrolytic capacitanc	Whether appearance is abnormal or	Visually check	No abnormal
			Wires and conducting bar	Whether they are loose or not	Visually check	No abnormal
			Terminals	If screws or bolts are loose or not	Tighten	No abnormal

"√" means routine or regular check to beneeded

Do not disassemble or shake the device gratuitously during check, and never unplug the connectors, otherwise the system will not run or will enter into fault state and lead to component failure or even damage to the main switching device such as IGBT module.

The different instruments may come to different measurement re: measuring. It is recommended that the pointer voltmeter shall be used for measuring input voltage, the rectifier voltmeter for output voltage, the clamp-on ammeter for input current and output current, and the electric wattmeter for power.

### 9-2.Parts for regular replacement

To ensure the reliable operation of inverter, in addition to regular care and maintenance, some internal mechanical wear parts(including cooling fan, filtering capacitor of main circuit for energy storage and exchange, and printed circuit board) shall be regularly replaced. Use and replacement for such parts shall follow the provisions of below table, also depend on the specific application environment, load and current status of inverter.

Name of Parts	Standard life time
Cooling fan	1 to 3 years
Filter capacitor	4 to 5 years
Printed circuit board(PCB)	5 to 8 years

### 9-3.Storage

The following actions must be taken if the inverter is not put into use immediately(temporary or long-term storage) after purchasing:

- ※ It should be store at a well-ventilated site without damp, dust or metal dust, and the ambient temperature complies with the range stipulated by standard specification
- ※ If the time that the inverter is set aside exceeds one year, a charge test should be made so as to resume the performance of the filtering capacitor of main circuit. When charging, the voltage regulator can be used to slowly rise input voltage of the inverter until the rated input voltage, the charging time is 1 to 2 hours or more. The above test shall be performed at least once a year.
- ※ Voltage withstand test can not be arbitrarily implemented, it will reduce the life of inverter. Insulation test can be made with the 500-volt megger before using, the insulation resistance shall not be less than 4MΩ.

### 9-4.Measuring and readings

- ※ If a general instrument is used to measure current, imbalance will exists for the current at the input terminal. generally, the deviation is not more than 10%, that is normal. If the deviation exceeds 30%, please inform the original manufacturer to replace rectifier bridge, or check if the deviation of three-phase input voltage is above 5V or not.
- ※ If a general multi-meter is used to measure three-phase output voltage, the reading is not accurate due to the interference of carrier frequency and it is only for reference.



## Chapter 10 Options

User can additionally install peripheral devices based on the different application conditions and requirements for this series of product, and its wiring diagram is as follows:

### Three-phase AC power

Please use the power supply meeting the specifications of the inverter.

### Molded case circuit breaker (MCCB) or earth leakage circuit breaker (ELCB)

When the power is on, the inverter will receive a great impact on current, the proper selection of breaker is very important.

### AC contactor

### Input AC reactor

### Input side Noise filter

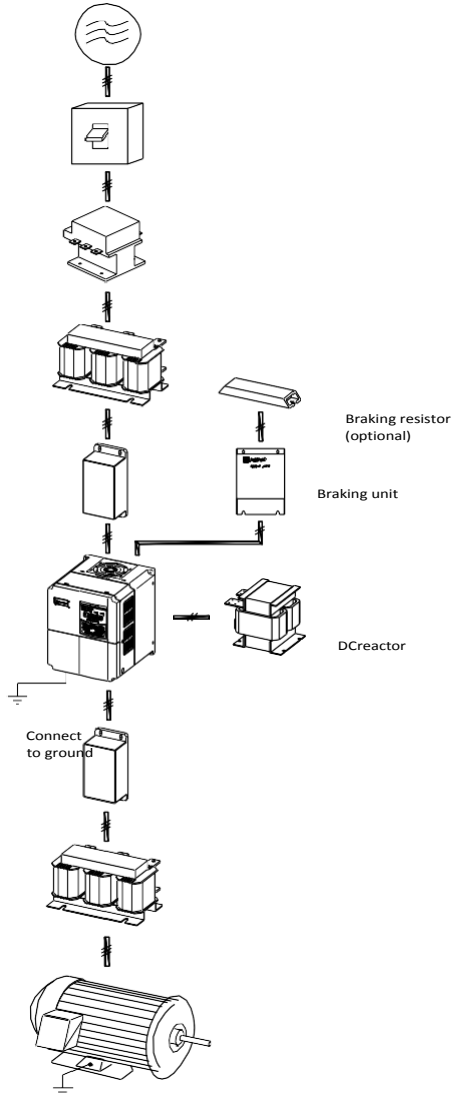
### Powtran inverter

To prevent electric shock, the motor and the inverter must be well grounded

### Output side Noise filter

### AC output reactor

### Motor



Connect to

### 10-1.Options

If the extended function (such as RS485 card, PG card, etc.)for other functional modules is needed, please specify the functional module card you want when ordering.

### 10-2.Molded case circuit breaker (MCCB) or earth leakage circuit breaker (ELCB)

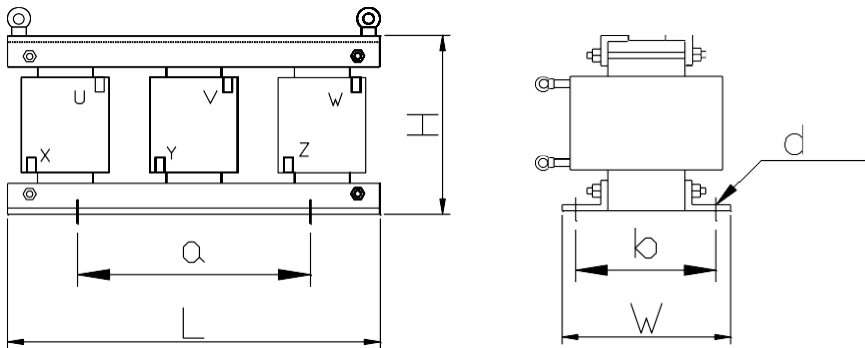
MCCB or ELCB as the power switch of the inverter also plays a protective role to the power supply. Note: do not use MCCB or ELCB to control start/stop of the inverter.

### 10-3.AC reactor

AC reactor can inhibit high harmonics of the inverter input current, significantly improving power factor of the inverter. It is recommended that AC reactor should be used in the following cases.

- ※ The ratio of the capability of power supply used for the inverter to the inverter own capability is more than 10:1.
- ※ The thyristor load or the device of power-factor compensation with ON/OFF is connected with the same power supply.
- ※ The degree of unbalance for three-phase power supply voltage is larger ( $\geq 3\%$ ).

Dimensions for common specifications of AC input reactor are as follows:



## Dimensions

Inverter specifications		Size(mm)						Gross weight(kg)
Voltage	Capability(kw)	A	B	C	D	E	F	
200V 230V	0.75	155	125	95	7	89	60	3.0
	1.5	155	125	95	7	89	60	3.0
	2.2	155	125	95	7	89	60	3.0
	4	155	125	95	7	89	60	3.5
	5.5	155	125	100	7	89	60	3.5
	7.5	155	125	112	7	89	70	4.0
	11	155	125	112	7	89	70	6.0
	15	180	140	112	8	90	80	8.0
	18.5	180	140	112	8	90	90	8.0
	22	180	140	112	8	90	90	8.0
	30	230	175	122	10	160	90	12.0
	37	230	175	132	10	160	100	15.0
	45	230	175	150	10	160	110	23.0
	55	230	175	160	10	160	120	23.0
	75	285	220	230	14	180	130	30.0
380V 460V	0.75	155	125	95	7	89	60	3.0
	1.5	155	125	95	7	89	60	3.0
	2.2	155	125	95	7	89	60	3.0
	4	155	125	95	7	89	60	3.5
	5.5	155	125	100	7	89	60	3.5
	7.5	155	125	112	7	89	70	4.0
	11	155	125	112	7	89	70	6.0
	15	180	140	112	8	90	80	8.0
	18.5	180	140	112	8	90	90	8.0
	22	180	140	112	8	90	90	8.0
	30	230	175	122	10	160	90	12.0
	37	230	175	132	10	160	100	15.0
45	230	175	150	10	160	110	23.0	

	55	230	175	160	10	160	120	23.0
	75	285	220	230	14	180	130	30.0
	110	285	250	230	14	210	140	33.0
	160	360	260	230	14	210	140	40.0
	200	360	270	230	14	210	140	45.0
	250	400	330	240	14	240	140	55.0
	315	400	350	285	14	270	160	90.0

#### 10-4.Noise filter

This filter is used to inhibit the conduction of electromagnetic interference noise generated from the inverter, and also inhibit the interference of external radio and instantaneous surge to this unit.

Before using, firstly confirm that the power supply is three-phase three-wire or three-phase four-wire; if it's a single-phase, the grounding wire should be chunky, the filter should be close to the inverter as much as possible.

The filter shall be used in the following occasions of residential area, commercial area, scientific & research units, and the occasion that requires higher protection to radio interference, or the conditions that meets CE, PL, CSA standards and is inadequate on the peripheral anti-interference equipments.

To purchase it, please contact this company.

#### 10-5.Contactor

It's used to cut off power supply to prevent the failure to be expanded when the protection function of the system is activated. The contactor can not be used to control the stop/start of the motor.

#### 10-6.Braking unit and braking resistor

If user chooses the model with braking function, that is, the inverter contains a built-in braking unit and the maximum braking torque is 50%. Users can separately purchase the matched braking resistor with the reference of below table.

Inverter specifications	Power of inverter(kW)	Resistance of braking resistor( $\Omega$ )	Power of braking resistor(kW)
220V	0.75	200	120
	1.5	100	300
	2.2	70	300
	4	40	500
	5.5	30	500
	7.5	20	780

	11	13.6	2000
	15	10	3000
	18	8	4000
	22	6.8	4500
380V	0.75	750	120
	1.5	400	300
	2.2	250	300
	4	150	500
	5.5	100	500
	7.5	75	780
	11	50	1000
	15	40	1500

If you needs greater torque of built-in braking unit, Powtran braking unit is your best choice, please see the manual of Powtran braking unit manual for details.

Other high-power models do not contain built-in braking unit. If the high-power machine needs braking unit, Powtran braking unit is the best choice.

### 10-7.Output EMI filter

It is used to inhibit noise interference and leakage current generated in the inverter output side.

### 10-8.AC output reactor

When the connection wire from the inverter to the motor is longer (over 20 meters), it is used to inhibit overcurrent caused due to the distributed capacitance. Meanwhile, it can also inhibit the radio interference of the inverter.

### 10-9.Input filter

#### 10-9-1.Intput filter(380V)

No.	Model	Voltage(V)	Power(KW)	Current(A)	Net weight(kg)	Dimensions L/W/H(mm)	Installation size a/b/d(mm)
1	NFI-005	380	0.75 to 1.5	5	0.7	130/105/44	51/95
2	NFI-010	380	2.2 to 4	10	1.3	202/86/58	184/60
3	NFI-020	380	5.5 to 7.5	20	2.5	261/100/90	243/70
4	NFI-036	380	11 to 15	36	2.7	261/100/90	243/70

5	NFI-050	380	18.5 to 22	50	3.5	261/100/90	243/70
6	NFI-065	380	30	65	4.5	240/190/90	180/175
7	NFI-080	380	37	80	6.6	390/200/90	260/185
8	NFI-100	380	45	100	7	390/200/90	260/185
9	NFI-150	380	55 to 75	150	7.7	400/200/90	260/185
10	NFI-200	380	93	200	5.2	340/190/90	180/175
11	NFI-250	380	110 to 132	250	7.7	380/210/90	180/195
12	NFI-300	380	160	300	7.7	380/210/90	180/195
13	NFI-400	380	200	400	9	470/260/128	165/245

### 10-9-2.Input filter(690V)

No.	Model	Voltage(V)	Power(KW)	Current(A)	Net weight(kg)	Dimensions L/W/H(mm)	Installation size a/b/d(mm)
1	NFI-005	690	0.75 to 1.5	5	0.7	130/105/44	51/95
2	NFI-010	690	2.2 to 4	10	1.3	202/86/58	184/60
3	NFI-020	690	5.5 to 7.5	20	2.5	261/100/90	243/70
4	NFI-036	690	11 to 15	36	2.7	261/100/90	243/70
5	NFI-050	690	18.5 to 22	50	3.5	261/100/90	243/70
6	NFI-065	690	30	65	4.5	240/190/90	180/175
7	NFI-080	690	37	80	6.6	390/200/90	260/185
8	NFI-100	690	45	100	7	390/200/90	260/185
9	NFI-150	690	55 to 75	150	7.7	400/200/90	260/185
10	NFI-200	690	93	200	5.2	340/190/90	180/175



11	NFI-250	690	110 to 132	250	7.7	380/210/90	180/195
12	NFI-300	690	160	300	7.7	380/210/90	180/195
13	NFI-400	690	200	400	9	470/260/128	165/245
14	NFI-600	690	215 to 250	600	14.2	470/245/128	165/245

## 10-10.Output filter

### 10-10-1.Output filter(380v)

No.	Model	Voltage(V)	Power(KW)	Current(A)	Net weight(kg)	Dimensions L/W/H(mm)	Installation size a/b/d(mm)
1	NF0-005	380	0.75 to 1.5	5	0.75	135/105/44	51/95
2	NF0-010	380	2.2 to 4	10	1.25	202/86/58	184/60
3	NF0-020	380	5.5 to 7.5	20	1.47	202/86/58	184/60
4	NF0-036	380	11 to 15	36	2.35	215/100/70	200/70
5	NF0-050	380	18.5 to 22	50	2.37	215/100/70	200/70
6	NF0-065	380	30	65	2.73	261/100/90	243/70
7	NF0-080	380	37	80	3.19	261/100/90	243/70
8	NF0-100	380	45	100	3.34	261/100/90	243/70
9	NF0-150	380	55 to 75	150	5.04	320/190/90	180/175
10	NF0-200	380	93	200	4.58	320/190/90	240/175
11	NF0-250	380	110 to 132	250	6.9	380/210/90	180/195
12	NF0-300	380	160	300	7.2	380/210/90	180/195
13	NF0-400	380	200	400	13.2		
14	NF0-600	380	215 to 250	600	13.4	320/260/128	165/245

### 10-10-2.Output filter(690v)

No.	Model	Voltage(V)	Power(KW)	Current(A)	Net weight(kg)	Dimensions L/W/H(mm)	Installation size a/b/d(mm)
1	NF0-005	690	0.75 to 1.5	5	0.75	135/105/44	51/95
2	NF0-010	690	2.2 to 4	10	1.25	202/86/58	184/60
3	NF0-020	690	5.5 to 7.5	20	1.47	202/86/58	184/60
4	NF0-036	690	11 to 15	36	2.35	215/100/70	200/70
5	NF0-050	690	18.5 to 22	50	2.37	215/100/70	200/70
6	NF0-065	690	30	65	2.73	261/100/90	243/70
7	NF0-080	690	37	80	3.19	261/100/90	243/70
8	NF0-100	690	45	100	3.34	261/100/90	243/70
9	NF0-150	690	55 to 75	150	5.04	320/190/90	180/175
10	NF0-200	690	93	200	4.58	320/190/90	240/175
11	NF0-250	690	110 to 132	250	6.9	380/210/90	180/195
12	NF0-300	690	160	300	7.2	380/210/90	180/195
13	NF0-400	690	200	400	13.2		
14	NF0-600	690	215 to 250	600	13.4	320/260/128	165/245

### 10-11.Input reactor

#### 10-11-1.Input reactor(380V)

No.	Model	Voltage(V)	Power(KW)	Rated Current(A)	Net weight(kg)	Voltage drop(V)	Inductance(mH)	Installation size a/b/d(mm)
1	ACL-0005-EISC-E3M8B	380	1.5	5	2.48	2.00%	2.8	91/65

2	ACL-0007-EISC-E2M5B	380	2.2	7	2.54	2.00%	2	91/65
3	ACL-0010-EISC-E1M5B	380	4.0	10	2.67	2.00%	1.4	91/65
4	ACL-0015-EISH-E1M0B	380	5.5	15	3.45	2.00%	0.93	95/61
5	ACL-0020-EISH-EM75B	380	7.5	20	3.25	2.00%	0.7	95/61
6	ACL-0030-EISH-EM60B	380	11	30	5.13	2.00%	0.47	95/61
7	ACL-0040-EISH-EM42B	380	15	40	5.20	2.00%	0.35	95/61
8	ACL-0050-EISH-EM35B	380	18.5	50	6.91	2.00%	0.28	95/61
9	ACL-0060-EISH-EM28B	380	22	60	7.28	2.00%	0.24	95/61
10	ACL-0080-EISC-EM19B	380	30	80	7.55	2.00%	0.17	120/72
11	ACL-0090-EISC-EM19B	380	37	90	7.55	2.00%	0.16	120/72
12	ACL-0120-EISH-EM13B	380	45	120	10.44	2.00%	0.12	120/92/75
13	ACL-0150-ELSH-EM11B	380	55	150	14.8	2.00%	0.095	182/76/140

14	ACL-0200-ELSH-E80UB	380	75	200	19.2	2.00%	0.07	182/96/140
15	ACL-0250-ELSH-E65UB	380	110	250	22.1	2.00%	0.056	182/96/155
16	ACL-0290-ELSH-E50UB	380	132	290	28.3	2.00%	0.048	214/100/155
17	ACL-0330-ELSH-E50UB	380	160	330	28.3	2.00%	0.042	214/100/155
18	ACL-0390-ELSH-E44UB	380	185	390	31.8	2.00%	0.036	243/112/155
19	ACL-0490-ELSH-E35UB	380	220	490	43.6	2.00%	0.028	243/122/190
20	ACL-0530-ELSH-E35UB	380	240	530	43.6	2.00%	0.026	243/122/190
21	ACL-0600-ELSH-E25UB	380	280	600	52	2.00%	0.023	243/137/195
22	ACL-0660-ELSH-E25UB	380	300	660	52	2.00%	0.021	243/137/195
23	ACL-0800-ELSH-E25UB	380	380	800	68.5	2.00%	0.0175	260/175/230
24	ACL-1000-ELSH-E14UB	380	450	1000	68.5	2.00%	0.014	260/175/230
25	ACL-1200-ELSH-E11UB	380	550	1250	106	2.00%	0.0011	275/175/280

26	ACL-1600-ELSH-E12UB	380	630	1600	110	2.00%	0.0087	275/175/280
----	---------------------	-----	-----	------	-----	-------	--------	-------------

### 10-11-2.Input reactor(690V)

No.	Model	Voltage(V)	Power(KW)	Rated Current(A)	Net weight(kg)	Voltage drop(V)	Inductance(mH)	Installation size a/b/d(mm)
1	ACL-005	690	1.5	5		4.00%		
2	ACL-007	690	2.2	7		4.00%		
3	ACL-0010	690	4.0	10		4.00%		
4	ACL-0015	690	5.5	15		4.00%		
5	ACL-0020	690	7.5	20		4.00%		
6	ACL-0030	690	11	30		4.00%		
7	ACL-0040	690	15	40		4.00%		
8	ACL-0050	690	18.5	50		4.00%		
9	ACL-0060	690	22	60		4.00%		
10	ACL-0080	690	30	80		4.00%		
11	ACL-0090	690	37	90		4.00%		
12	ACL-0120	690	45	120		4.00%		
13	ACL-0150	690	55	150		4.00%		
14	ACL-0200	690	75	200		4.00%		
15	ACL-0250	690	110	250		4.00%		
16	ACL-0290	690	132	290		4.00%		
17	ACL-0330	690	160	330		4.00%		

18	ACL-0390	690	185	390		4.00%		
19	ACL-0490	690	220	490		4.00%		
20	ACL-0530	690	240	530		4.00%		
21	ACL-0600	690	280	600		4.00%		
22	ACL-0660	690	300	660		4.00%		
23	ACL-0800	690	380	800		4.00%		
24	ACL-1000	690	450	1000		4.00%		
25	ACL-1200	690	550	1250		4.00%		
26	ACL-1600	690	630	1600		4.00%		

## 10-12.Output reactor

### 10-12-1.Output reactor(380V)

No.	Model	Voltage(V)	Power(KW)	Rated Current(A)	Net weight(kg)	Voltage drop(V)	Inductance(mH)	Installation size a/b/d(mm)
1	OCL-0005-ELSC-E1M4	380	1.5	5	2.48	0.50%	1.4	91/65
2	OCL-0007-ELSC-E1M0	380	2.2	7	2.54	0.50%	1	91/65
3	OCL-0010-ELSC-EM70	380	4.0	10	2.67	0.50%	0.7	91/65
4	OCL-0015-ELSC-EM47	380	5.5	15	3.45	0.50%	0.47	95/61
5	OCL-0020-ELSC-EM35	380	7.5	20	3.25	0.50%	0.35	95/61

6	OCL-0030-ELSC-EM23	380	11	30	5.5	0.50%	0.23	95/81
7	OCL-0040-ELSC-EM18	380	15	40	5.5	0.50%	0.18	95/81
8	OCL-0050-ELSC-EM14	380	18.5	50	5.6	0.50%	0.14	95/81
9	OCL-0060-ELSC-EM12	380	22	60	5.8	0.50%	0.12	120/72
10	OCL-0080-ELSC-E87U	380	30	80	6.0	0.50%	0.087	120/72/75
11	OCL-0090-ELSC-E78U	380	37	90	6.0	0.50%	0.078	120/72/75
12	OCL-0120-ELSC-E5U	380	45	120	9.6	0.50%	0.058	120/92/75
13	OCL-0150-EISH-E47U	380	55	150	15	0.50%	0.047	182/87/140
14	OCL-0200-EISH-E35U	380	75	200	17.3	0.50%	0.035	182/97/140
15	OCL-0250-EISH-E28U	380	110	250	17.8	0.50%	0.028	182/97/140
16	OCL-0290-EISH-E24U	380	132	290	24.7	0.50%	0.024	214/101/150
17	OCL-0330-EISH-E21U	380	160	330	26	0.50%	0.021	214/106/155

18	OCL-0390-EISH-E18U	380	185	390	26.5	0.50%	0.018	214/106/155
19	OCL-0490-EISH-E14U	380	220	490	36.6	0.50%	0.014	243/113/190
20	OCL-0530-EISH-E13U	380	240	530	36.6	0.50%	0.013	243/113/190
21	OCL-0600-EISH-E12U	380	280	600	43.5	0.50%	0.012	243/128/195
22	OCL-0660-EISH-E4U0	380	300	660	44	0.50%	0.011	243/128/195
23	OCL-0800-EISH-E5U0	380	380	800	60.8	0.50%	0.0087	260/175/230
24	OCL-1000-EISH-E4U0	380	450	1000	61.5	0.50%	0.007	260/175/230
25	OCL-1200-EISH-E4U0	380	550	1200	89	0.50%	0.0058	275/175/280
26	OCL-1600-EISH-E3U0	380	630	1600	92	0.50%	0.0043	275/175/280

### 10-12-2. Output reactor(690V)

No.	Model	Voltage(V)	Power(KW)	Rated Current(A)	Net weight(kg)	Voltage drop(V)	Inductance(mH)	Installation size a/b/d(mm)
1	OCL-005	690	1.5	5		2.00%		
2	OCL-007	690	2.2	7		2.00%		
3	OCL-0010	690	4.0	10		2.00%		



4	OCL-0015	690	5.5	15		2.00%		
5	OCL-0020	690	7.5	20		2.00%		
6	OCL-0030	690	11	30		2.00%		
7	OCL-0040	690	15	40		2.00%		
8	OCL-0050	690	18.5	50		2.00%		
9	OCL-0060	690	22	60		2.00%		
10	OCL-0080	690	30	80		2.00%		
11	OCL-0090	690	37	90		2.00%		
12	OCL-0120	690	45	120		2.00%		
13	OCL-0150	690	55	150		2.00%		
14	OCL-0200	690	75	200		2.00%		
15	OCL-0250	690	110	250		2.00%		
16	OCL-0290	690	132	290		2.00%		
17	OCL-0330	690	160	330		2.00%		
18	OCL-0390	690	185	390		2.00%		
19	OCL-0490	690	220	490		2.00%		
20	OCL-0530	690	240	530		2.00%		
21	OCL-0600	690	280	600		2.00%		
22	OCL-0660	690	300	660		2.00%		
23	OCL-0800	690	380	800		2.00%		
24	OCL-1000	690	450	1000		2.00%		



25	OCL-1200	690	550	1250		2.00%		
26	OCL-1600	690	630	1600		2.00%		

### 10-13.AC reactor

No.	Model	Voltage(V)	Power(KW)	Rated Current(A)	Net weight(kg)	Inductance(mH)	Installation size a/b/d(mm)
1	DCL-0003-EIDC-E28M	380	0.4	3	1.5	28	80/65/110
2	DCL-0003-EIDC-E28M	380	0.8	3	1.5	28	80/65/110
3	DCL-0006-EIDC-E11M	380	1.5	6	2.3	11	80/65/110
4	DCL-0006-EIDC-E11M	380	2.2	6	2.3	11	80/65/110
5	DCL-0012-EIDC-E6M3	380	4.0	12	3.2	6.3	100/100/125
6	DCL-0023-EIDH-E3M6	380	5.5	23	3.8	3.6	110/120/135
7	DCL-0023-EIDH-E3M6	380	7.5	23	3.8	3.6	110/120/135
8	DCL-0033-EIDH-E2M0	380	11	33	4.3	2	110/120/135
9	DCL-0033-EIDH-E2M0	380	15	33	4.3	2	110/120/135

10	DCL-0040-EIDH-E1M3	380	18.5	40	4.3	1.3	110/120/135
----	--------------------	-----	------	----	-----	-----	-------------



11	DCL-0050-EIDH-E1M08	380	22	50	5.5	1.08	120/135/145
12	DCL-0065-EIDH-EM8	380	30	65	7.2	0.8	138/150/170
13	DCL-0078-EIDH-EM7	380	37	78	7.5	0.7	138/150/170
14	DCL-0095-EIDH-EM54	380	45	95	7.8	0.54	138/150/170
15	DCL-0115-EIDH-EM45	380	55	115	9.2	0.45	155/160/195
16	DCL-0160-EIDH-EM36	380	75	160	10	0.36	165/130/215
17	DCL-0180-PIDH-EM33	380	93	180	20	0.33	165/130/215
18	DCL-0250-EIDH-EM26	380	110	250	23	0.26	210/150/255
19	DCL-0250-PIDH-EM26	380	132	250	23	0.26	210/150/255
20	DCL-0340-PIDH-EM17	380	160	340	23	0.17	210/150/255
21	DCL-0460-EIDH-E90U	380	185	460	28	0.09	220/150/280
22	DCL-0460-PIDH-E90U	380	220	460	28	0.09	220/150/280

23	DCL-0650-PIDH-E72U	380	300	650	33	0.072	235/160/280
----	--------------------	-----	-----	-----	----	-------	-------------

### 10-14.Specifications of circuit breakers, cables and contactors

Model	Circuit breaker(A)	Input line/output line (Copper cable)	Rated operational current A of contactor (voltage 380V or 220V)
R40G2	10A	1.5	10
R75G2	16A	2.5	10
1R5G2	20A	2.5	16
2R2G2	32A	4	20
004G2	40A	6	25
5R5G2	63A	6	32
7R5G2	100A	10	63
011G2	125A	10	95
015G2	160A	25	120
018G2	160A	25	120
022G2	200A	25	170
030G2	200A	35	170
037G2	250A	35	170
045G2	250A	70	230
055G2	315A	70	280
R75G3	10A	1.5	10
1R5G3	16A	1.5	10
2R2G3	16A	2.5	10
004G3	25A	2.5	16
5R5G3	25A	4	16
7R5G3	40A	4	25
011G3	63A	6	32
015G3	63A	6	50
018G3	100A	10	63

022G3	100A	10	80
030G3	125A	16	95
037G3	160A	25	120
045G3	200A	35	135
055G3	250A	35	170
075G3	315A	70	230
093G3	400A	70	280
110G3	400A	95	315
132G3	400A	95	380
160G3	630A	150	450
187G3	630A	185	500
200G3	630A	240	580
220G3	800A	150x2	630
250G3	800A	150x2	700
280G3	1000A	185x2	780
315G3	1200A	240x2	900
355G3	1280A	240x2	960
400G3	1380A	185x3	1035
500G3	1720A	185x3	1290



## Chapter 11 Warranty

The warranty of this product follows the following provisions: 1.The warranty that liabilities shall be beared by the manufacturer:

1-1. For use at home (subject to date of shipment)

✘ The refunding, replacement and repair are guaranteed within one(1) month after the shipment.

✘ The replacement and repair are guaranteed within three(3) months after the shipment.

✘ The repair is guaranteed within twelve(12) months after the shipment.

1-2.For use at abroad(excluding domestic), the repair is guaranteed at the place of purchase within six(6) months after the shipment.

2. Whenever and wherever you use our brand of products, you can enjoy a paid service for life.

3. Our distributors, manufacturers and agencies across the country can provide after-sales service of this product, the conditions of service are:

3-1. The service of inspection is provided locally .

3-2. All services shall comply with the related after-sale service terms and conditions stated on theagency agreement between Powtran and distributors.

3-3. A paid after-sale service from distributors or agencies of Powtran(whether or not within warranty period) can be requested.

4. We only bear the above terms 1-1 or 1-2 regarding to the responsibility of product quality or incidents. if users need more liability guarantee, please apply for insurance company in advance to insure your own property safety.

5. The warranty period of this product is one year from the date of shipment.

6. The failure caused by following causes will even during the warranty period, their repair will be charged too:

6-1.Incorrect operation (subject to the user manUal) or unauthorized repair or renovation.

6-2.Non-following standard specification to use the inverter.

6-3.Drop or improper carry after purchase.

6-4.Aging or failure caused by the adverse environmental.

6-5.Damage caused by earthquake, fire, wind and water disasters, lightning, abnormal voltage or othernatural disasters and accompanied disasters.

6-6.Damage during transport (Note: The mode of transport is specified by the customer, this company can assist customer to transfer goods).

6-7.The brand, trademark, serial number, nameplate labeled by the manufacturer are damaged or illegible.

6-8.The full money for this product has not been paid up according to purchase

agreement

- 6-9. The Actual situation for installation, wiring, operation, maintenance or other uses could not be objectively reported to the service department of this company.
7. The refunding, replacement or repair only can be performed after the defective product is returned to this company and its responsible party is confirmed.







## Appendix I RS485 Communication protocol

### I-1 Communication protocol

#### I-1-1 Communication content

This serial communication protocol defines the transmission information and use format in the series communication Including: master polling( or broadcast) format; master encoding method, and contents including: function code of action, transferring data and error checking. The response of slave also adopts the same structure, and contents including: action confirmation, returning the data and error checking etc. If slave takes place the error while it is receiving information or cannot finish the action demanded by master, it will send one fault signal to master as a response.

#### Application Method

The inverter will be connected into a “Single-master Multi-slave” PC/PLC control network with RS232/RS485 bus.

#### Bus structure

##### (1) Interface mode

RS232/RS485 hardware interface

##### (2) Transmission mode

Asynchronous series and half-duplex transmission mode. For master and slave, only one of them can send the data and the other only receives the data at the same time. In the series asynchronous communication, the data is sent out frame by frame in the form of message

##### (3) Topological structure

Single-master and multi-slave system. The setting range of slave address is 0 to 247, and 0 refers to broadcast communication address. The address of slave for network must be exclusive.

#### I-1-2 Communications connection

Installation of RS485 communication module:

#### I-1-3 Protocol description

PI9000 series inverter communication protocol is a asynchronous serial master-slave communication protocol, in the network, only one equipment(master) can build a protocol (known as “Inquiry/Command”). Other equipment(slave) only can response the "Inquiry/Command"of master by providing data or perform the corresponding action according to the "Inquiry/Command"of master. Here, the master refers to a Personnel Computer(PC), an industrial control device or a programmable logic controller (PLC), etc. and the slave refers to PI9000 inverter. Master can communicate with individual slave, also send broadcasting information to all the lower slaves. For the single "Inquiry/Command"of master, slave will return a signal(that is a response) to master; for the broadcasting information sent by master, slave does not need to feedback a response to master.

Communication data structure PI9000 series inverter's Modbus protocol communication data format is as follows: in RTU mode, messages are sent at a silent interval of at least 3.5 characters. There are diverse character intervals under network baud rate,

which is easiest implemented. The first field transmitted is the device address.

The allowable characters for transmitting are hexadecimal 0 ... 9, A ... F. The networked devices continuously monitor network bus, including during the silent intervals. When the first field (the address field) is received, each device decodes it to find out if it is sent to their own. Following the last transmitted character, a silent interval of at least 3.5 characters marks the end of the message. A new message can begin after this silent interval.

The entire message frame must be transmitted as a continuous stream. If a silent interval of more than 1.5 characters occurs before completion of the frame, the receiving device will flushes the incomplete message and assumes that the next byte will be the address field of a new message. Similarly, if a new message begins earlier than the interval of 3.5 characters following a previous message, the receiving device will consider it as a continuation of the previous message. This will result in an error, because the value in the final CRC field is not right.

RTUframe format :

Frame headerSTART	Time interval of 3.5characters
Slave address ADR	Communication address: 1 to 247
Command codeCMD	03: read slave parameters; 06: write slave parameters
Data contentDATA(N-1)	Data content: address of function code parameter, numbers of function code parameter, value of function code parameter, etc.
Data contentDATA(N-2)	
.....	
Data contentDATA0	
CRC CHKhigh-order	Detection Value:CRC value.
CRC CHKlow-order	
END	Time interval of 3.5characters

CMD (Command) and DATA (data word description)

Command code: 03H, reads N words (max.12 words), for example: for the inverter with slave address 01, its start address F0.02 continuously reads two values.

Master command information

ADR	01H
CMD	03H
Start address high-order	F0H



Start address low-order	02H
Number of registers high-order	00H
Number of registers low-order	02H
CRC CHKlow-order	CRC CHK values are to be calculated



CRC CHK high-order	
--------------------	--

#### Slave responding information

When F9.05 is set to 0:

ADR	01H
CMD	03H
Byte number high-order	00H
Byte number low-order	04H
DataF002H high-order	00H
DataF002H low-order	00H
DataF003H high-order	00H
DataF003H low-order	01H
CRC CHK low-order	CRC CHK values are to be calculated
CRC CHK high-order	

When F9.05 is set to 1:

ADR	01H
CMD	03H
Byte number	04H
DataF002H high-order	00H
DataF002H low-order	00H
DataF003H high-order	00H
DataF003H low-order	01H
CRC CHK low-order	CRC CHK values are to be calculated
CRC CHK high-order	

Command Code: 06H, write a word. For example: Write 5000(1388H) into the address F00AH of the inverter with slave address 02H.

#### Master command information

ADR	02H
CMD	06H
Data address high-order	F0H
Data address low-order	0AH
Data content high-order	13H
Data content low-order	88H
CRC CHK low-order	CRC CHK values are to be calculated
CRC CHK high-order	

#### Slave responding information

ADR	02H
CMD	06H
Data address high-order	F0H
Data address low-order	0AH



Data content high-order	13H
Data content low-order	88H
CRC CHKlow-order	CRC CHK values are to be calculated
CRC CHK high-order	

## I-2 Check mode:

Check mode - CRC mode: CRC (Cyclical Redundancy Check) adopts RTU frame format, the message includes an error-checking field that is based on CRC method. The CRC field checks the whole content of message. The CRC field has two bytes containing a 16-bit binary value. The CRC value calculated by the transmitting device will be added into to the message. The receiving device recalculates the value of the received CRC, and compares the calculated value to the Actual value of the received CRC field, if the two values are not equal, then there is an error in the transmission.

The CRC firstly stores 0xFFFF and then calls for a process to deal with the successive eight-bit bytes in message and the value of the current register. Only the 8-bit data in each character is valid to the CRC, the start bit and stop bit, and parity bit are invalid.

During generation of the CRC, each eight-bit character is exclusive OR(XOR) with the register contents separately, the result moves to the direction of least significant bit(LSB), and the most significant bit(MSB) is filled with 0. LSB will be picked up for detection, if LSB is 1, the register will be XOR with the preset value separately, if LSB is 0, then no XOR takes place. The whole process is repeated eight times. After the last bit (eighth) is completed, the next eight-bit byte will be XOR with the register's current value separately again. The final value of the register is the CRC value that all the bytes of the message have been applied.

### I-3 Definition of communication parameter address

The section is about communication contents, it's used to control the operation, status and related parameter settings of the inverter. Read and write function-code parameters (Some functional code is not changed, only for the manufacturer use or monitoring): the rules of labeling function code parameters address:

The group number and label number of function code is used to indicate the parameter address:

High byte: F0 to FB (F group), E0 to EF (E group), B0 to BF(B group),C0 to C7(Y group),70 to 7F (d group) low byte: 00 to FF

For example: address F3.12 indicates F30C; Note: L0 group parameters: neither read nor change; d group parameters: only read, not change.

Some parameters can not be changed during operation, but some parameters can not be changed regardless of the inverter is in what state. When changing the function code parameters, please pay attention to the scope, units, and relative instructions on the parameter.

Besides, due to EEPROM is frequently stored, it will reduce the life of EEPROM, therefore under the communication mode some function code do not need to be stored and you just change the RAM value.

If F group parameters need to achieve the function, as long as change high order F of the function code address to 0. If E group parameters need to achieve the function, as long as change high order F of the function code address to 4. The corresponding function code addresses are indicated below: high byte: 00 to 0F(F group), 40 to 4F (E group), 50 to 5F(B group),60 to 67(Y group)low byte:00 to FF

For example:

Function code F3.12 can not be stored into EEPROM, address indicates as 030C; function code E3.05 can not be stored into EEPROM, address indicates as 4005; the address indicates that only writing RAM can be done and reading can not be done, when reading, it is invalid address. For all parameters, you can also use the command code 07H to achieve the function.



Stop/Run parameters section:

Parameter	Parameter
1000	*Communication set value(-10000 to 10000)(Decimal)
1001	Running frequency
1002	Bus voltage
1003	Output voltage
1004	Output current
1005	Output power
1006	Output torque
1007	Operating speed
1008	DI input flag
1009	DO output flag
100A	AI1 voltage





100B	AI2 voltage
100C	Reserve
100D	Count value input
100E	Length value input
100F	Load speed
1010	PID setting
1011	PID feedback
1012	PLC step
1013	High-speed pulse input frequency, unit: 0.01kHz
1014	Feedback speed, unit:0.1Hz
1015	Remaining run time
1016	AI1 voltage before correction
1017	AI2 voltage before correction
1018	Reserve
1019	Linear speed
101A	Current power-on time
101B	Current run time
101C	High-speed pulse input frequency, unit: 1Hz
101D	Communication set value
101E	Actual feedback speed
101F	Master frequency A display
1020	Auxiliary frequency B display

**Note:**

the communication set value is the percentage of the relative value, 10000 corresponds to 100.00%, -10000 corresponds to -100.00%. For frequency dimension data, it is the percentage of the maximum frequency (F0.19); for torque dimension data, the percentage is F5.08 (torque upper limit digital setting).

Control command is input to the inverter: (write only)

Command word address	Command function
2000	0001: Forward run
	0002: Reverse run
	0003: Forward Jog
	0004: Reverse Jog
	0005: Free stop
	0006: Deceleration and stop

	0007: Fault reset
--	-------------------

Inverter read status: (read-only)

Status word address	Status word function
3000	0001: Forward run
	0002: Reverse run
	0003: Stop

Parameter lock password verification: (If the return code is 8888H, it indicates that password verification is passed)

Password address	Enter password
1F00	*****

Digital output terminal control: (write only)

Command address	Command content
2001	BIT0: SPA output control BIT1: RELAY2 output control BIT2: RELAY1 output control BIT3: Undefined BIT4: SPB switching quantity output control

Analog output **DA1** control: (write only)

Command address	Command content
2002	0 to 7FFFIndicates0% to 100%

Analog output **DA2** control: (write only)

Command address	Command content
2003	0 to 7FFFIndicates0% to 100%

SPB high-speed pulse output control: (write only)

Command address	Command content
2004	0 to 7FFFIndicates0% to 100%

Inverter fault description:

Inverter fault address:	Inverter fault information:
8000	0000: No fault 0001: Inverter unit protection



	<p>0002: Acceleration overcurrent  0003: Deceleration overcurrent  0004: Constant speed overcurrent  0005: Acceleration overvoltage  0006: Deceleration overvoltage  0007: Constant speed overvoltage  0008: Reserve  0009: Undervoltage fault  000A: Inverter overload  000B: Motor Overload  000C: Input phase loss  000D: Output phase loss  000E: Module overheating  000F: External fault  0010: Communication abnormal  0011: Contactor abnormal  0012: Current detection fault  0013: Motor parameter auto tuning  fault 0014:Encoder/PG card abnormal  0015: Parameter read and write  abnormal 0016: Inverter hardware fault  0017: Motor short to ground fault  0018: Reserved  0019: Reserved  001A:Running time arrival  001B: Custom fault 1  001C: Custom fault 2  001D: Power-on time arrival  001E: Load drop  001F: PID feedback loss when running  0028: Fast current limiting timeout  0029: Switch motor when running fault  002A: Too large speed deviation  002B: Motor overspeed  002D: Motor  overtemperature  005A: Encoder lines setting error</p>
--	--

Data on communication failure information description (fault code):

Communication fault address	Fault function description
8001	<p>0000: No fault  0001: Password error  0002: Command code  error 0003: CRC check  error 0004: Invalid address  0005: Invalid parameters  0006: Invalid parameter changes  0007: System locked  0008: EEPROM in operation</p>



### F9Group - Communication parameter description

F9.00	Baud rate	Default	6005
	Setting range	Units digit: MODUBUS baud rate 0: 300BPS 1: 600BPS 2: 1200BPS 3: 2400BPS 4: 4800BPS 5: 9600BPS 6: 19200BPS 7: 38400BPS 8: 57600BPS 9: 115200BPS	

This parameter is used to set the data transfer rate between the host computer and the inverter.

Note: the baud rate must be set to the same for the host computer and the inverter, otherwise communication can not be achieved. The larger baud rate, the faster communication speed.

F9.01	Data format	Default	0
	Setting range	0: no parity: data format <8, N, 2> 1: even parity: data format <8, E, 1> 2: odd parity: data format <8, O, 1> 3: no parity: data format <8-N-1>	

Note: the set data for the host computer and the inverter must be the same.

F9.02	This unit address	Default	1
	Setting range	1 to 247, 0 for broadcast address	

When the address of this unit is set 0, that is broadcast address, the broadcasting function for the host computer can be achieved.

The address of this unit has uniqueness (in addition to the broadcast address), which is the basis

F9.03	Response delay	Default	2ms
	Setting range	0 to 20ms	

of peer-to-peer communication for the host computer and the inverter.

Response delay: it refers to the interval time from the end of the inverter receiving data to the start of it sending data to the host machine. If the response delay is less than the system processing time, then the response delay time is subject to the system processing time; if the response delay is longer than the system processing time, after the system finishes the data processing, and continues to wait until the response delay time, and then sends data to the host computer.

F9.04	Communication	Default	0.0 s
	Setting range	0.0 s (invalid) 0.1 to 60.0s	

Communication time-out parameter is not valid when the function code is set to 0.0s.

When the function code is set to valid, if the interval time between one communication and the next

communication exceeds the communication time-out time, the system will report communication



failure error (Fault ID Err.16). Generally, it is set to invalid. If the parameter can be set to monitor the communication status in continuous communication system.

F9.05	Communication	Default	0
	Setting range	0: non-standard Modbus protocol 1: standard Modbus	

F9.05=1: select standard Modbus protocol.

F9.05=0: when reading command, the number of bytes returned by slave is more 1 byte than standard Modbus protocol.

F9.06	Communication read	Default	0
	Setting range	0: 0.01A 1: 0.1A	

Used to determine the current output units when communication reads output current.



## Appendix II How to use universal encoder expansion card

(applicable for all series of Powtran frequency inverters)

### II-1 Overview

PI9000 is equipped with a variety of universal encoder expansion card (PG card), as an optional accessory, it is necessary part for the inverter closed-loop vector control, please select PG card according to the form of encoder output, the specific models are as follows:

Options	Description	Others
PI9000_PG1	Differential input PG card, without frequency dividing	Terminal wiring
PI9000_PG3	UVW differential input PG card, without frequency dividing output	Terminal wiring
PI9000_PG4	Rotational transformer PG card	Terminal wiring
PI9000_PG5	OC input PG card, with 1:1 frequency dividing output	Terminal wiring

### II-2 Description of mechanical installation and control terminals function

The expansion card specifications and terminal signals for each encoder are defined as follows:

Table 1 Definitions of specifications and terminal signals

Differential PG card(PI9000_PG1)		
PI9000_PG1 specifications		
User interface	Terminal block	
Spacing	3.5mm	
Screw	Slotted	
Swappable	NO	
Wire gauge	16-26AWG	
Maximum frequency	500kHz	
Input differential signal amplitude	≤7V	
PI9000_PG1 terminal signals		
No.	Label no.	Description

1	A+	Encoder output A signal positive
2	A-	Encoder output A signal negative
3	B+	Encoder output B signal positive





4	B-	Encoder output B signal negative
5	Z+	Encoder output Z signal positive
6	Z-	Encoder output Z signal negative
7	5V	Output 5V/100mA power
8	COM	Power ground
9	PE	Shielded terminal
UVW differential PG card		
PI9000_PG3 specifications		
User interface	Terminal block	
Swappable	NO	
Wire gauge	>22AWG	
Maximum frequency	500kHz	
Input differential signal amplitude	≤7V	
PI9000_PG3 terminal description		
No.	Label no.	Description
1	A+	Encoder output A signal positive
2	A-	Encoder output A signal negative
3	B+	Encoder output B signal positive
4	B-	Encoder output B signal negative
5	Z+	Encoder output Z signal positive
6	Z-	Encoder output Z signal negative
7	U+	Encoder output P signal positive
8	U-	Encoder output P signal negative
9	V+	Encoder output V signal positive
10	V-	Encoder output V signal negative
11	W+	Encoder output W signal positive

12	W-	Encoder output W signal negative
13	+5V	Output 5V/100mA power
14	COM	Power ground
15	-	
Rotational transformer PG card( <b>PI9000_ PG4</b> )		
<b>PI9000_ PG4 specifications</b>		
User interface	Terminal block	
Swappable	NO	
Wire gauge	>22AWG	
Resolution	12-bit	
Excitation frequency	10kHz	
VRMS	7V	
VP-P	3.15±27%	
<b>PI9000_ PG4 terminal description</b>		
No.	Label no.	Description
1	EXC1	Rotary transformer excitation negative
2	EXC	Rotary transformer excitation positive
3	SIN	Rotary transformer feedback SIN positive
4	SINLO	Rotary transformer feedback SIN negative
5	COS	Rotary transformer feedback COS positive
6	-	
7	-	
8	-	
9	COSLO	Rotary transformer feedback COS negative
OC PG card( <b>PI9000_ PG5</b> )		
<b>PI9000_ PG5 specifications</b>		
User interface	Terminal block	
Spacing	3.5mm	
Screw	Slotted	
Swappable	NO	
Wire gauge	16-26AWG	
Maximum frequency	100KHz	

PI9000 PG5 terminal description		
No.	Label no.	Description
1	A	Encoder output A signal
2	B	Encoder output B signal
3	Z	Encoder output Z signal
4	15V	Output 15V/100mA power
5	COM	Power ground
6	COM	Power ground
7	A1	PG card A 1:1 feedback output A signal
8	B1	PG card A 1:1 feedback output B signal
9	PE	Shielded terminal





## Warranty Card

Sincerely thank you purchase Powtran products !

This product has passed the strict quality inspection by Powtran. According to the instructions of this warranty card, Powtran will be responsible for free maintenance for all hardware failures caused by product quality problem under normal use during the warranty period.

Product Model:	Serial Number:		
Warranty period:			
Date of purchase:	Year	Month	Day
Invoice Number:			
User Name: (Or company name)			
Address:			
Zip:	Phone:	Fax:	
Dealer Name:			
Address:			
Zip:	Phone:	Fax:	
Dealer stamp			



## Customer Feedback Form of Powtran - Inverter Failure

Dear Customer: please fill out the form below in details so that we may better serve you:

Load and control situation					
Electrical power and poles		Rated motor current		Frequency range under normal working	
Load type	<input type="checkbox"/> Fan <input type="checkbox"/> Textile machine <input type="checkbox"/> Extruder <input type="checkbox"/> Pump <input type="checkbox"/> Injection machine <input type="checkbox"/> Other load		Speed control mode	<input type="checkbox"/> Keyboard <input type="checkbox"/> Terminal <input type="checkbox"/> PID <input type="checkbox"/> Host computer	
Control method	<input type="checkbox"/> V/F control with PG <input type="checkbox"/> Vector control without PG <input type="checkbox"/> Vector control with PG				
Failure phenomenon					
When failure occurs	<input type="checkbox"/> power-on <input type="checkbox"/> start run <input type="checkbox"/> in operation <input type="checkbox"/> accelerate <input type="checkbox"/> decelerate				
Failure type					
Abnormal current	<input type="checkbox"/> Err.02 <input type="checkbox"/> Err.03 <input type="checkbox"/> Err.04 <input type="checkbox"/> Err.40				
Abnormal voltage	<input type="checkbox"/> Err.05 <input type="checkbox"/> Err.06 <input type="checkbox"/> Err.07 <input type="checkbox"/> Err.09				
Other display failure	<input type="checkbox"/> Err.14 <input type="checkbox"/> Err.15 <input type="checkbox"/> Err.20 <input type="checkbox"/> Err.21 <input type="checkbox"/> Err.31				
Board failure	<input type="checkbox"/> no display after power on <input type="checkbox"/> smoking after power on <input type="checkbox"/> power board relay does not pull-in				
Keyboard failure	<input type="checkbox"/> button malfunction <input type="checkbox"/> parameter can not be modified <input type="checkbox"/> imperfect display <input type="checkbox"/> knob malfunction				
Device failure	<input type="checkbox"/> burnt <input type="checkbox"/> fan does not work <input type="checkbox"/> main circuit relay or contactor does not pull-in <input type="checkbox"/> power resistors burned out				
Abnormal output	<input type="checkbox"/> no output voltage <input type="checkbox"/> output voltage unbalance <input type="checkbox"/> motor with large vibrations <input type="checkbox"/> motor power inadequate				
If your failure is not listed above, Please describe in the following:					
Failure description:					

The following fields shall be filled out by maintenance agency

Maintenance records:



1st time	Full name of maintenance agency		Tel	
	Address		Zip Code	
	Maintenance voucher number		Signature of the servicema	
2nd time	Full name of maintenance agency		Tel	
	Address		Zip Code	
	Maintenance voucher number		Signature of the servicema	
3rd time	Full name of maintenance agency		Tel	
	Address		Zip Code	
	Maintenance voucher number		Signature of the servicema	



## Product Information Feedback

Dear user:

Thank you for your interest in and purchasing Powtran products! In order to better serve you, we want to be able to timely get your personal information and the related information of the purchased Powtran products so as to understand your current and future further demand to Powtran products; we would appreciate your valuable feedback. For your convenience, please visit our website <http://www.powtran.com> and then click "Technologies and Services "and "Download" columns to submit your feedback information.

- 1) Download the update product manuals you need
- 2) View the technical information on products, such as operation instructions, specifications and features, FAQ, etc.
- 3) Share application cases.
- 4) Technical advisory and online feedback
- 5) Feedback the product and demand information for via e-mail
- 6) Inquire the latest products and access to various types of warranty and extend additional services

