



**TECHNICAL DOCUMENTATION**  
**RADIATOR FOR SOLID STATE RELAY**

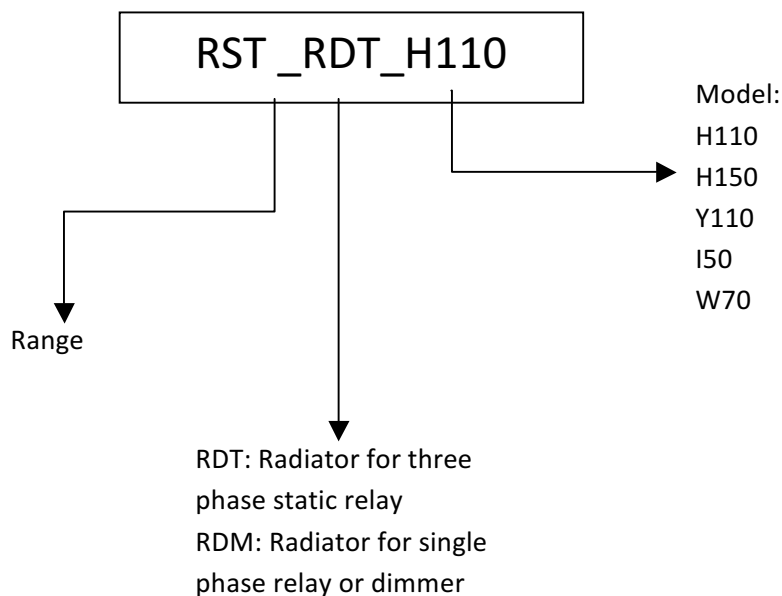
Inoréa Automation & Industry  
9 rue du Lugan  
33130 BEGLES  
[contact@inorea.com](mailto:contact@inorea.com)  
[www.inorea.com](http://www.inorea.com)

## 1. DESCRIPTION AND FEATURES



- This radiator is made for statics relays to evacuate the heat produced by the static relay or the dimmer.

## 2. PRODUCT

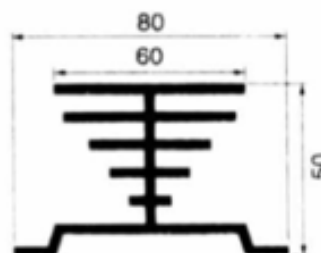
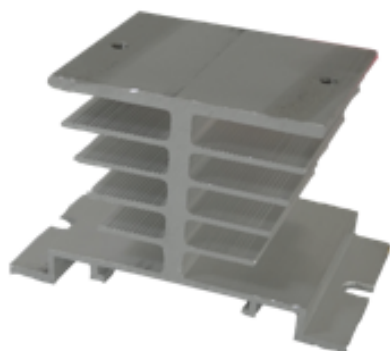


### 3. COMBINATIONS

Radiators For static relays	
<b>RST_RDM_I50</b>	support I50 for RST-1-2-20 or RSR22-20
<b>RST_RDM_W70</b>	support W70 for RST-1-2-40 or RSR22-40
<b>RST_RDT_H150</b>	support H150 for RST-3-4-40
<b>RST_RDT_H110</b>	support H110 for RST-3-4-20 and RST-3-4-10
<b>RST_RDT_Y110</b>	support Y110 for RST-3-4-60

### 4. DIAGRAMS

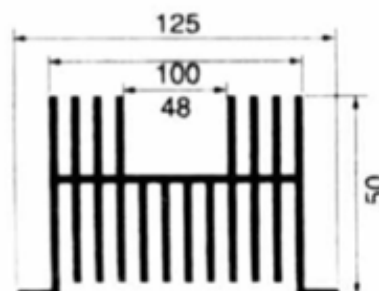
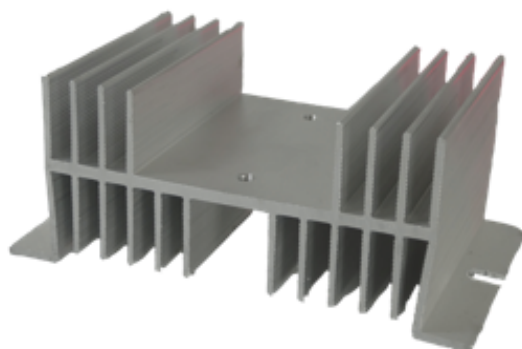
**RST\_RDM\_I50:** support I50 for RST-1-2-20 or RSR22-20



Dimensions: 50x60x50mm

Application: For single phase relay or dimmer  $\leq 20A$

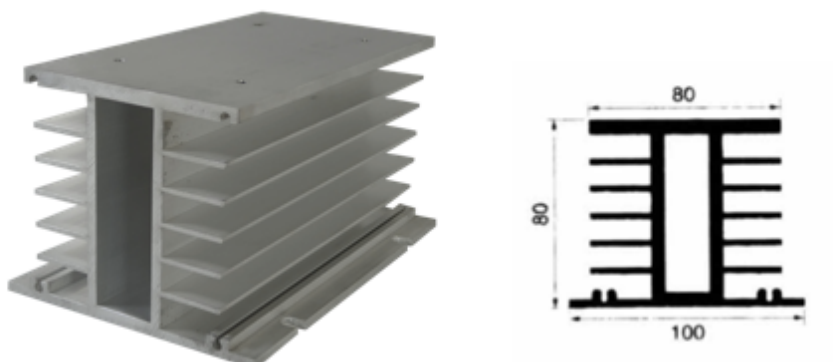
**RST\_RDM\_W70:** support W70 for RST-1-2-40 or RSR22-40



Dimensions: 70x100x50mm

Application: For single phase relay or dimmer  $\leq 40A$

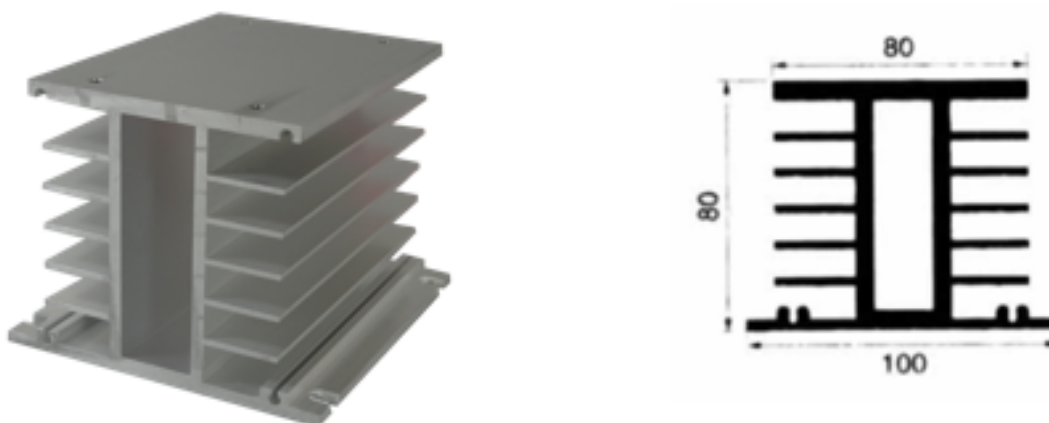
**RST\_RDT\_H150:** support H150 for RST-3-4-40



Dimensions: 150x80x80mm

Application: for three phase relay  $\leq 50A$

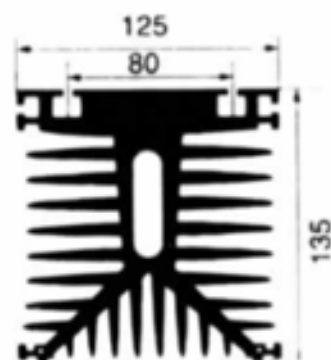
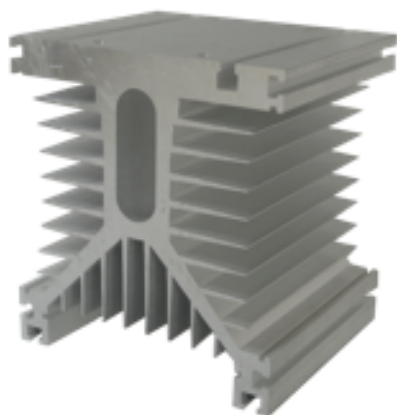
**RST\_RDT\_H110:** support H110 for RST-3-4-20 and RST-3-4-10



Dimensions: 110x80x80mm

Application: for three phase relay  $\leq 20A$

RST\_RDT\_Y110: support Y110 for RST-3-4-60



Dimensions: 110x125x135 mm

Application: for three phase relay  $\leq 150A$