

inORéa **Automatismes & Industrie**



FREQUENCY INVERTER VFR-091/092 **APPLICATIONS EXAMPLES**

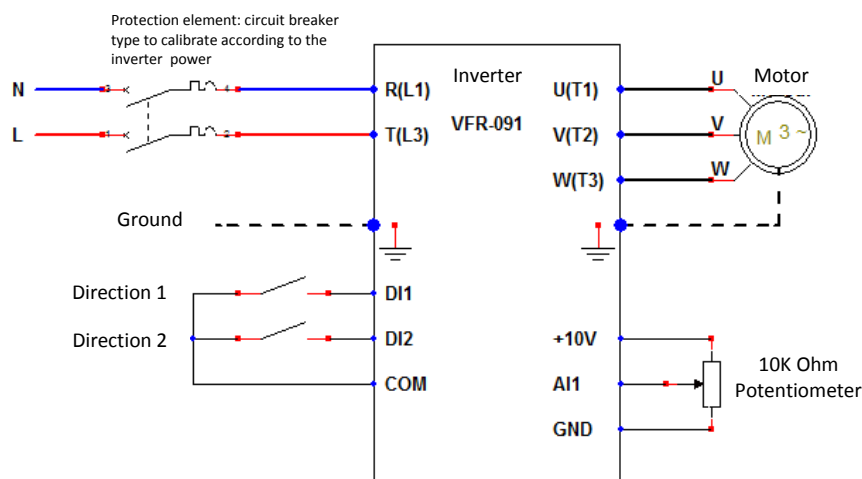
Inoréa Automation & Industry
9 rue du Lugan
33130 BEGLES
contact@inorea.com
www.inorea.com

Table of contents

Standard	3
Quick start	3
Compressor	4
Lifting bridge.....	5
Circuit	5

Standard

Standard application with pilotage of direction rotation and speed by contacts and potentiometer moved

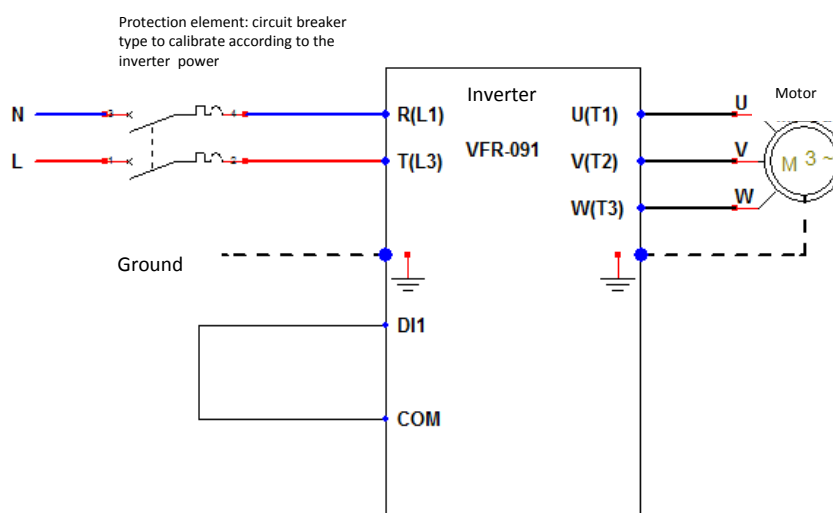


Wiring example with a single phase inverter; also available in three phase

Parameter	Designation	Value
F0.03	Frequency control	2
F0.11	Remote control	4
F0.13	Acceleration time	10 sec
F0.14	Deceleration time	10 sec
F1.00	Configuration DI1 input	1
F1.01	Configuration DI2 input	2

Quick start

Rotation during the inverter switching-on for applications requiring a steady functioning or a restart after a power outage.

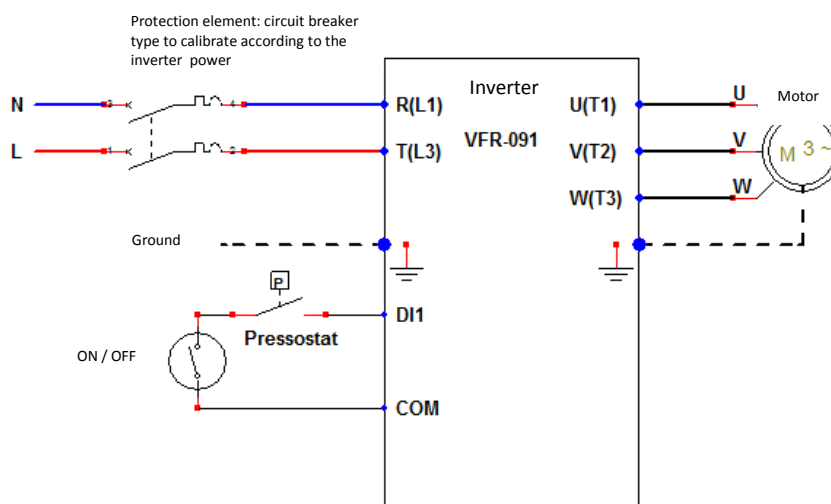


Wiring example with a single phase inverter; also available in three phase

Parameter	Designation	Value
F0.03	Frequency control	4
F0.11	Remote control	4
F0.13	Acceleration time	10 sec
F0.14	Deceleration time	10 sec
F1.00	Configuration DI1 input	1

Compressor

Start and stop of the motor by electric contact of the pressure controller



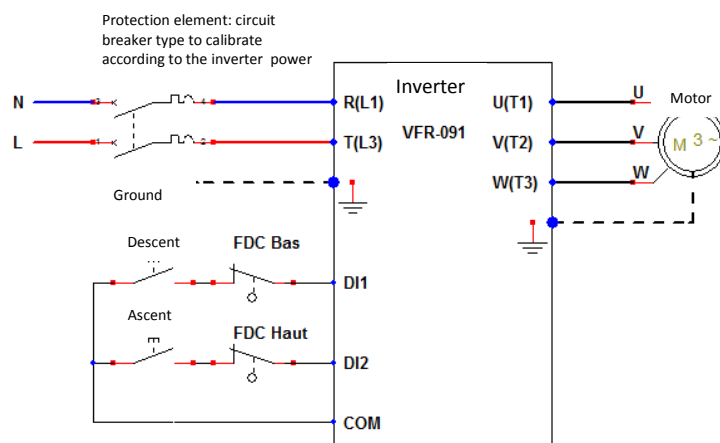
Wiring example with a single phase inverter; also available in three phase

Parameter	Designation	Value
F0.03	Frequency control	4
F0.11	Remote control	4
F0.13	Acceleration time	3 sec
F0.14	Deceleration time	2 sec
F1.00	Configuration DI1 input	1



Be careful during the first try at the good direction of rotation of the device

Elevating bridge



Parameter	Designation	Value
F0.03	Frequency control	4
F0.11	Remote control	4
F0.13	Acceleration time	3 sec
F0.14	Deceleration time	0.5 sec
F1.00	Configuration DI1 input	1
F1.01	Configuration DI2 input	2



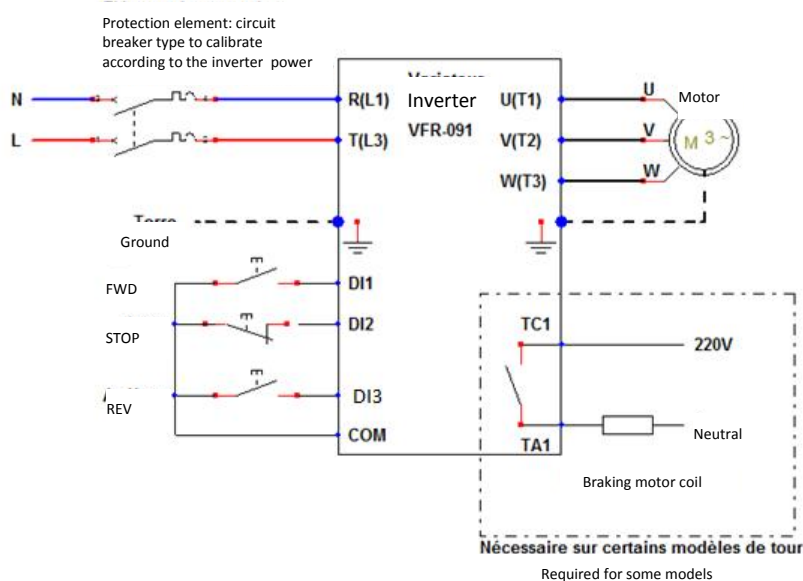
Be careful during the first try at the good direction of rotation of the device

Circuit

Pilotage of the 2 rotation direction and of the stop by impulsion.

Possibility to pilot the motor braking at lack of power.

Possibility to inject direct power in the motor at the end of the deceleration to immobilize the rotation shaft.



Parameter	Designation	Value
F0.03	Frequency control	4
F0.11	Remote control	4
F0.13	Acceleration time	5 sec
F0.14	Deceleration time	3 sec
F1.00	Configuration DI1 input	1
F1.01	Configuration DI2 input	3
F1.02	Configuration DI3 input	2
F1.10	Pilotage: 3 wires type 1	2
	OPTION WITH BRAKING	
F2.02	Shift outputs TA1,TB1,TC1	1
F3.08	Frequency at the beginning of braking	10 Hz
F3.09	Waiting time injection of direct current	0.0 sec
F3.10	Injection power	30%
F3.11	Injection time of direct current	1 sec



iNORÉA Automation and Control Solution Provider
www.inorea.com