

# INORÉA

Automatismes & Industrie



## TECHNICAL DOCUMENTATION

### MULTIPOINT CONNECTORS 16 CONNECTIONS

Inoréa Automation & Industry  
9 rue du Lugan  
33130 BEGLES  
[contact@inorea.com](mailto:contact@inorea.com)  
[www.inorea.com](http://www.inorea.com)

**DESCRIPTION ET FEATURES:**

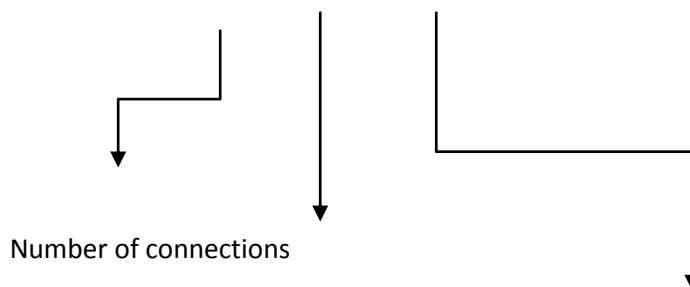
- Number of connections = 16 connections + ground
- Terminal block to be screwed
- Nominal tension: 400/500 V
- Nominal intensity: 16 A
- Protection: IP 65
- Cable glanding supplied: PG16 (ø20)
- Male and female connections are interchangeable between the plug and the socket
- Possibility to connect the plug on a wire
- Plug and socket made in metal

(For the plug to be connected on the electrical box, seals are supplied but not the screws)

**Plug:** to be fixed on the electrical box

**Socket:** to be fixed on a wire

**CMB\_10\_P<sup>F</sup>\_D(F)\_010**



**P:** plug on electrical box

**F:** socket on extension cable

**D:** right

**T:** (socket + extension cable)

**R:** extension cable

**F:** female


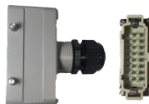



**L:** lateral (curved)

**M:** male

**(F) :** closed

**T:** everything (male + female)

WITHOUT LID

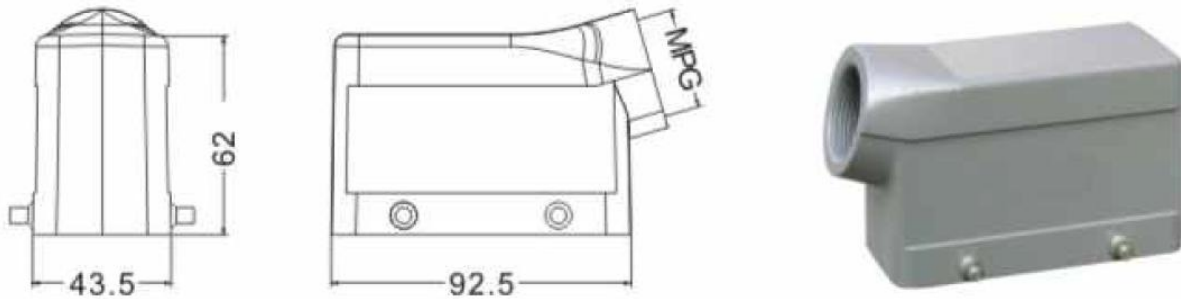
References	Description	Photos
<b>Complete batches</b>		
CMB_16_TT_D_010	Batch including: - 1 plug with base to fix on the electrical box - 1 connection: right socket - connection male/female interchangeable	
CMB_16_TT_L_010	Batch including: - 1 plug with base to fix on the electrical box - 1 connection: curved socket - connection male/female interchangeable	
<b>Combinations</b>		
CMB_16_FM_D_010	Socket connection: right + male	
CMB_16_FM_L_010	Socket connection: curved + male	
CMB_16_FF_D_010	Socket connection: right + female	
CMB_16_FF_L_010	Socket connection: curved + female	
CMB_16_PM_D_010	Plug with base to be fixed on the electrical box + male	
CMB_16_PF_D_010	Plug with base to be fixed on the electrical box + female	

WITH LID

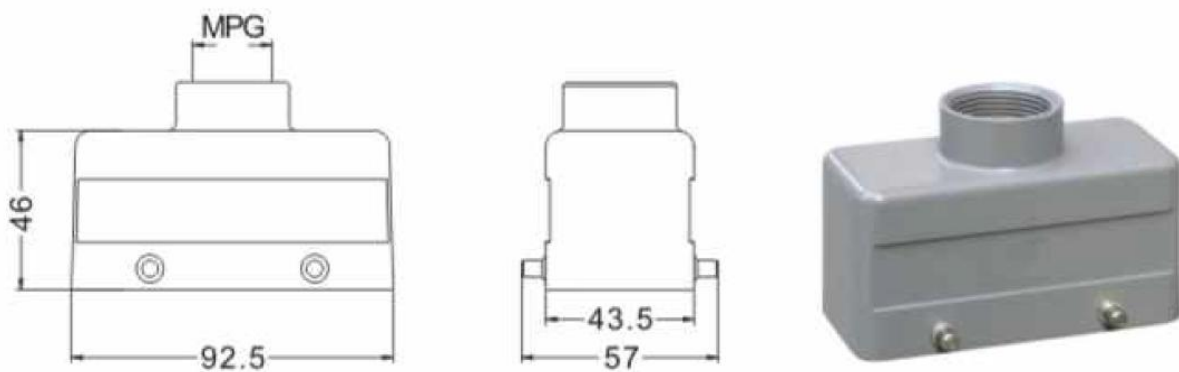
References	Description	Photos
<b>Complete batches</b>		
CMB_16_TT_DF_010	Batch including: -1 plug with hood to be fixed on the wall -1 plug: right for hood -Connection male/female interchangeable	
<b>Combinations</b>		
CMB_16_FM_DF_010	Socket for hood + male	
CMB_16_FF_DF_010	Socket for hood + female	
CMB_16_PM_DF_010	Plug connection with hood + male	
CMB_16_PF_DF_010	Plug connection with hood + female	

WITHOUT LID

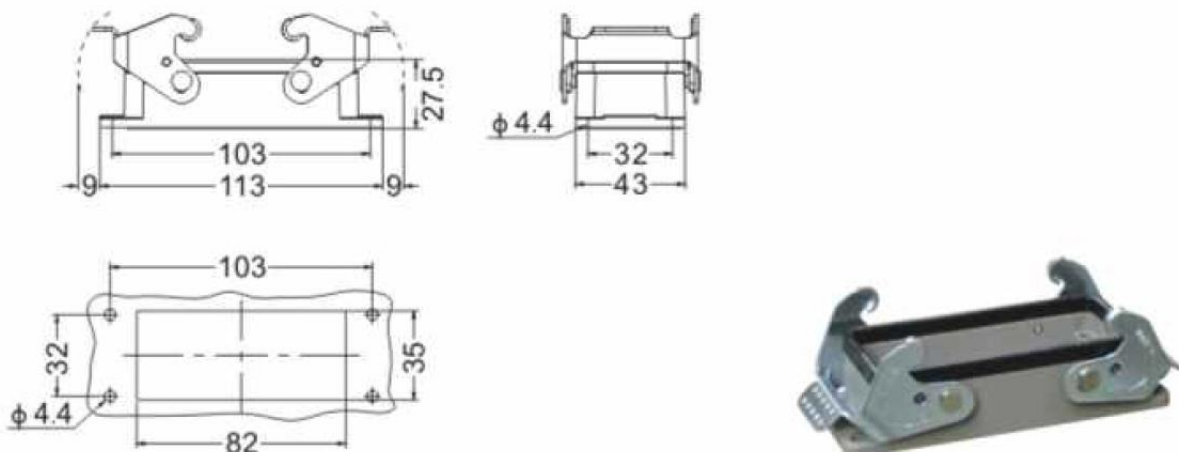
Curved socket: CMB\_16\_Fx\_L\_010



Right socket: CMB\_16\_Fx\_D\_010

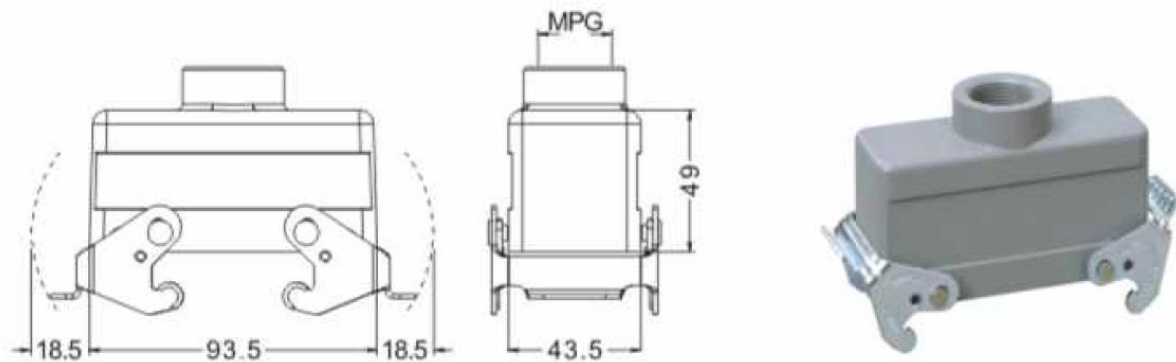


Plug with base to be fixed on the electrical box: CMB\_16\_Px\_D\_010



WITH LID

Right socket for hood: CMB\_16\_Fx\_DF\_010



Plug with hood, to be fixed: CMB\_16\_Px\_DF\_010

