

INORÉA

Automatismes & Industrie



TECHNICAL DOCUMENTATION

MULTIPOINT CONNECTORS 24 CONNECTIONS

Inoréa Automation & Industry
9 rue du Lugan
33130 BEGLES
contact@inorea.com
www.inorea.com

DESCRIPTION ET FEATURES:

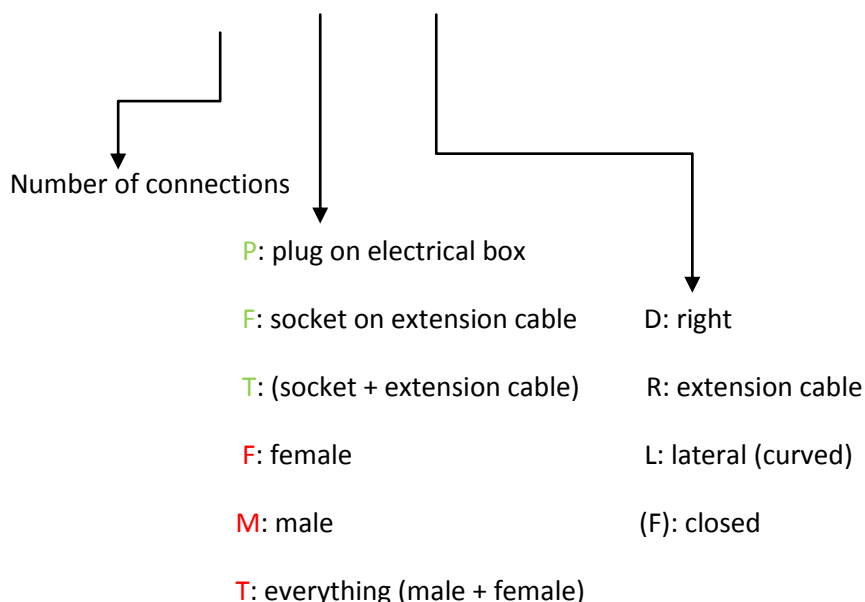
- Number of connections = 24 connections + ground
- Terminal block to be screwed
- Nominal tension: 400/500 V
- Nominal intensity: 16 A
- Protection: IP 65
- Cable glanding supplied: PG16 (ø20)
- Male and female connections are interchangeable between the plug and the socket
- Possibility to connect the plug on a wire
- Plug and socket made in metal









(For the plug to be connected on the electrical box, seals are supplied but not the screws)

Plug: to be fixed on the electrical box

Socket: to be fixed on a wire

CMB_10_P^F_D(F)_010

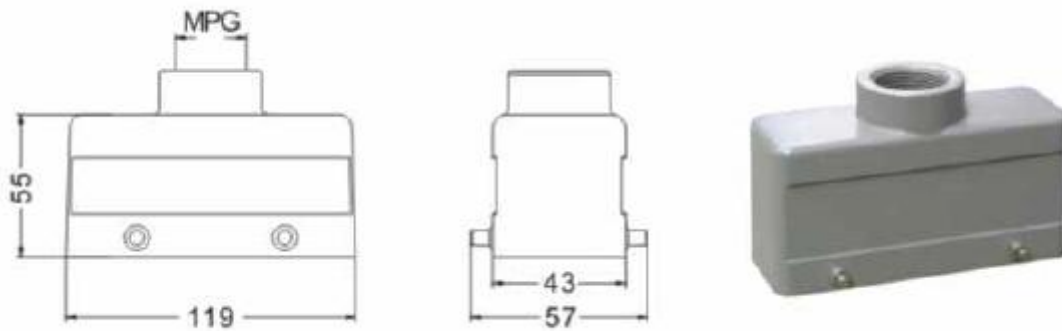


References	Description	Photos
Complete batches : WITHOUT LID		
CMB_24_TT_D_010	Batch including: - 1 plug with base to fix on the electrical box - 1 connection: right socket - connection male/female	
CMB_24_TT_L_010	Batch including: - 1 plug with base to fix on the electrical box - 1 connection: curved socket - connection male/female	
Combinations		
CMB_24_FM_D_010	Socket connection: right + male	
CMB_24_FM_L_010	Socket connection: curved + male	
CMB_24_FF_D_010	Socket connection: right + female	
CMB_24_FF_L_010	Socket connection: curved + female	
CMB_24_PM_D_010	Plug with base to be fixed on the electrical box + male	
CMB_24_PF_D_010	Plug with base to be fixed on the electrical box + female	

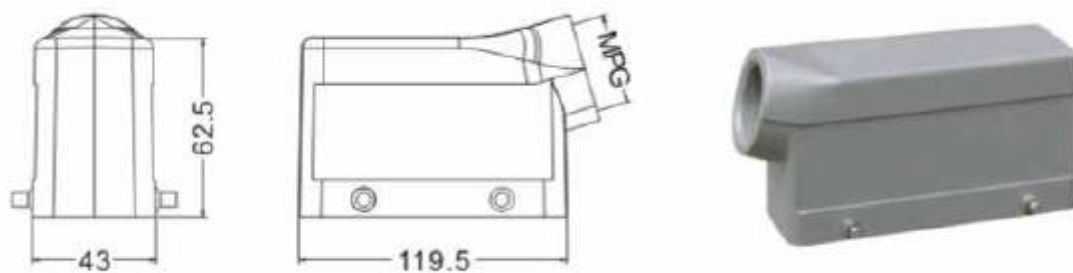
References	Description	Photos
Complete batches : WITH LID		
CMB_24_TT_DF_010	Batch including: -1 plug with hood to be fixed on the wall -1 plug: right for hood -Connection male/female	
Combinations		
CMB_24_FM_DF_010	Socket for hood + male	
CMB_24_FF_DF_010	Socket for hood + female	
CMB_24_PM_DF_010	Plug connection with hood + male	
CMB_24_PF_DF_010	Plug connection with hood + female	

WITHOUT LID

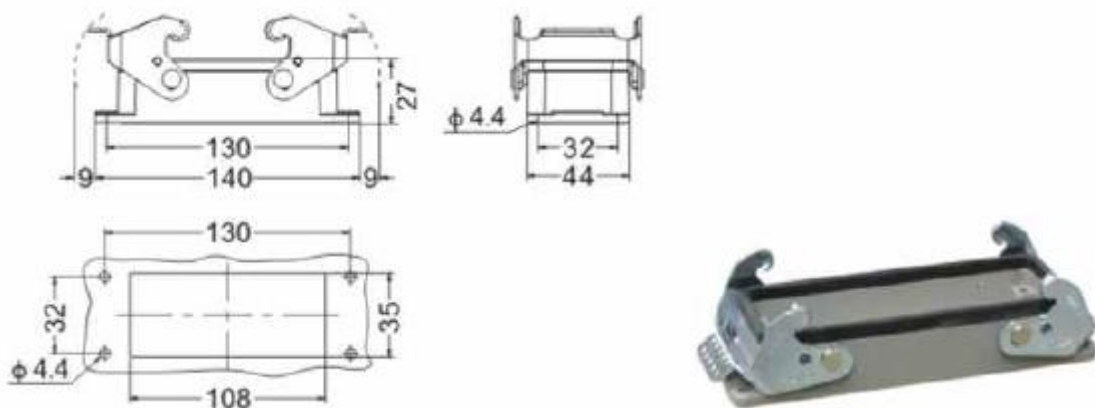
Right socket: CMB_24_Fx_D_010



Right socket: CMB_24_Fx_L_010

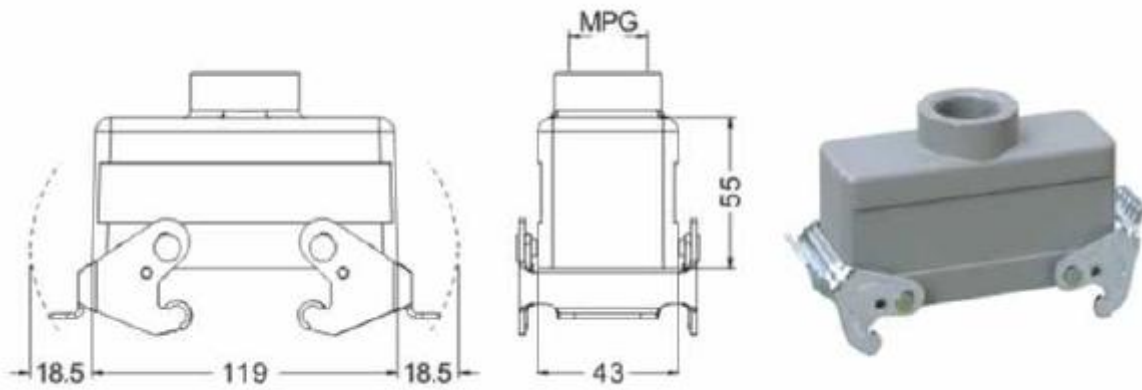


Plug with base to be fixed on the electrical box: CMB_24_Px_D_010

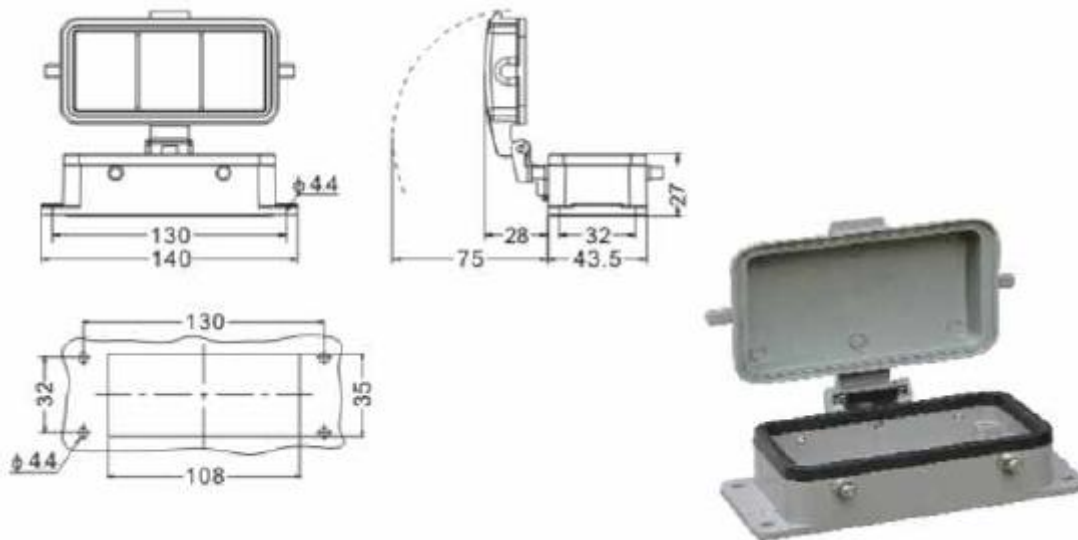


WITH LID

Right socket for hood: CMB_24_Fx_DF_010



Plug with hood, to be fixed: CMB_24_Px_DF_010



iNORÉA Automation & Control Solution Provider
www.inorea.com