

INORÉA

Automatismes & Industrie



TECHNICAL DOCUMENTATION

MULTIPOINT CONNECTORS 3 CONNECTIONS

Inoréa Automation & Industry
9 rue du Lugan
33130 BEGLES
contact@inorea.com
www.inorea.com

DESCRIPTION ET FEATURES:

- Number of connections = 3 connections + ground
- Terminal block to be screwed
- Nominal tension: 230/250 V
- Nominal intensity: 10 A
- Protection: IP 65
- Cable glanding supplied: PG11 (ø20)
- Male and female connections are interchangeable between the plug and the socket
- Possibility to connect the plug on a wire
- Plug and socket made in metal

(For the plug to be connected on the electrical box, seals are supplied but not the screws)

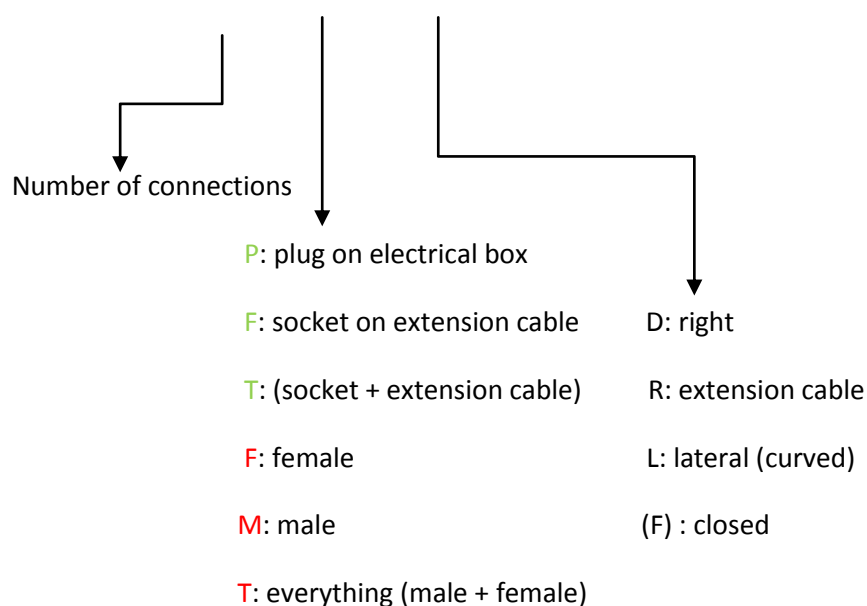
Plug: to be fixed on the electrical box










Socket: to be fixed on a wire




CMB_10_P**F**_D(F)_010

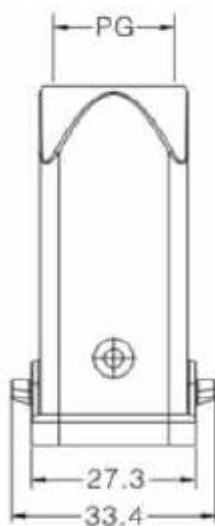


References	Description	Photos
Complete batches		
CMB_03_TT_D_010	Batch including: - 1 plug with base to fix on the electrical box - 1 connection: right socket - interchangeable connection male/female	
CMB_03_TT_D_R_010	Batch including: - 1 plug to fix on the extension cable - 1 connection: right socket - interchangeable connection male/female	
CMB_03_TT_L_010	Batch including: - 1 plug with base to fix on the electrical box - 1 connection: curved socket - interchangeable connection male/female	

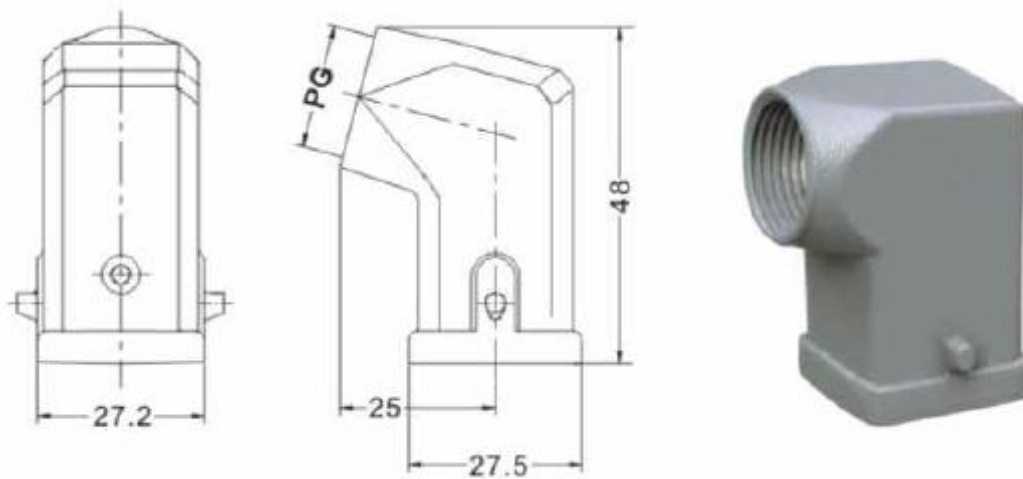
References	Description	Photos
Combinations		
CMB_03_FM_D_010	Socket connection: right + male	
CMB_03_FM_L_010	Socket connection: curved + male	
CMB_03_FF_D_010	Socket connection: right + female	
CMB_03_FF_L_010	Socket connection: curved + female	

CMB_03_PM_D_010	Plug with base to be fixed on the electrical box + male	
CMB_03_PM_D_R_010	Plug to be fixed on extension cable + male	
CMB_03_PF_D_010	Plug with base to be fixed on the electrical box + female	
CMB_03_PF_D_R_010	Plug to be fixed on extension cable + female	

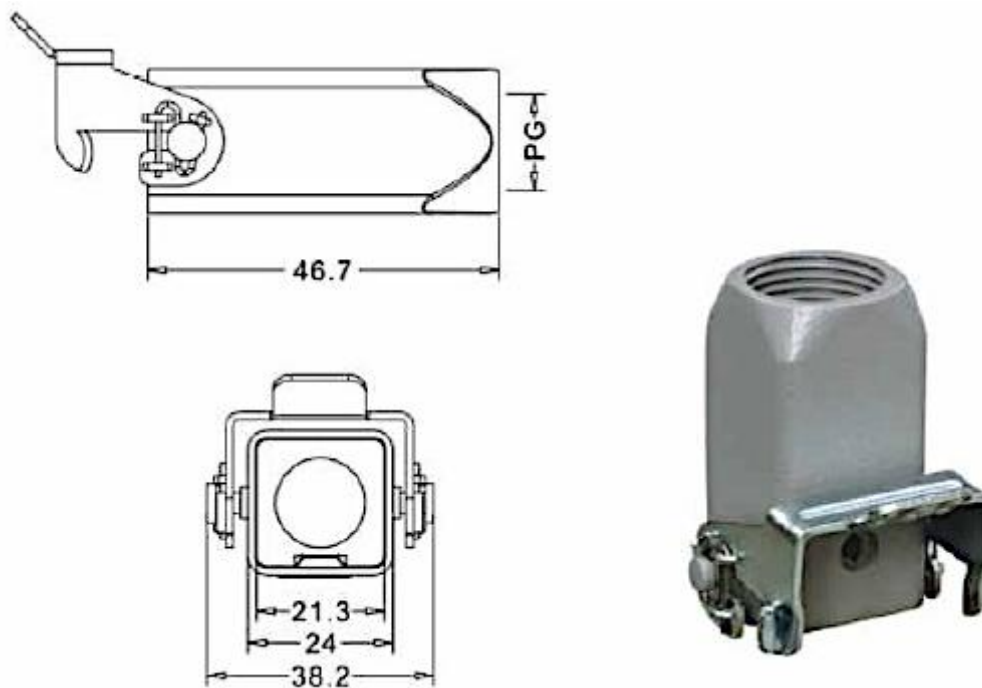
Right socket: CMB_03_Fx_D_010



Curved socket: CMB_03_Fx_L_010



Plug to be fixed on the extension cable: CMB_03_Px_D_R_010



Plug with base to be fixed on the electrical box: CMB_03_Px_D_010

