



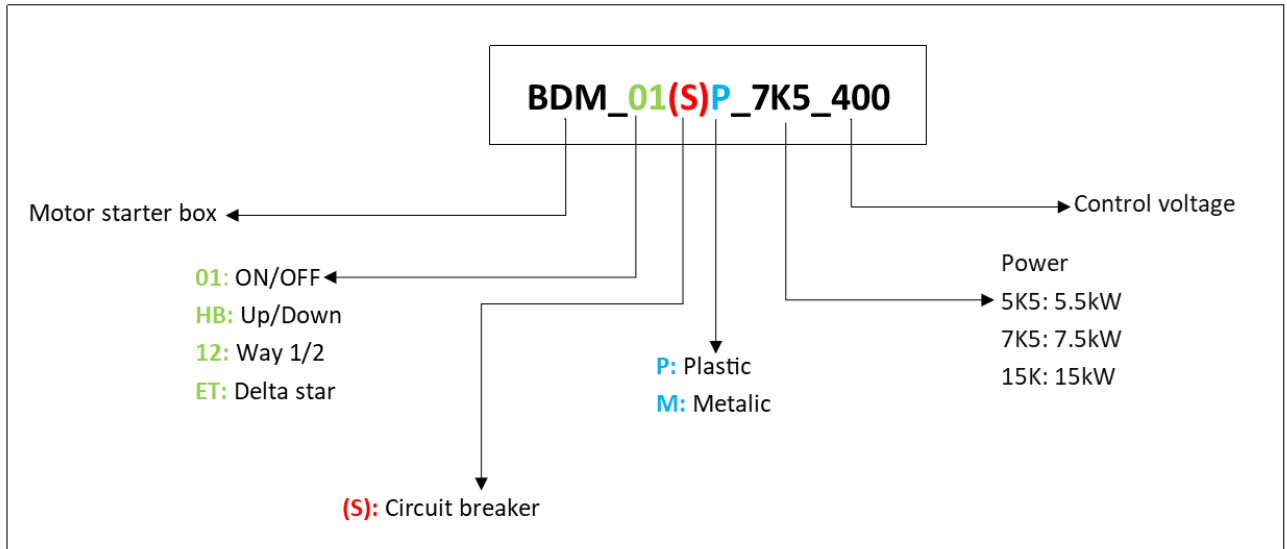
MOTOR STARTER BOX QUICK START GUIDE

Inoréa Automatismes et Industrie
9 rue du Lugan
33130 BEGLES
contact@inorea.com
www.inorea.com

SUMMARY

1. PRODUCT	3
2. CHARACTERISTICS	3
3. WARNING	5

1. PRODUCT



2. CHARACTERISTICS

- **Motor starter box ON/OFF plastic with circuit breaker**

Box allows to start a motor directly.

Available in 220V or 400V control voltage.

Cabling for single phase or three phase motor possible for boxes controlled in 220V.

The thermal protection to have to be choosed according the motor intensity (MCOR1 ou U1216).

Cabling for single phase or three phase motor possible for boxes controlled in 220V.



Product	Power (kW)	Control voltage	H x L x P	Type	Intensity range
BDM_01SP_7K5_400	7.5	400	230x300x115	ON/OFF	18
BDM_01SP_7K5_230	7.5	230	230x300x115	ON/OFF	18
BDM_01SP_15K_400	15	400	230x300x115	ON/OFF	32
BDM_01SP_15K_230	15	230	230x300x115	ON/OFF	32

- **Motor starter box way 1/way 2 plastic with circuit breaker**

Box allows to reverse the direction of rotation for three phase motors thanks to a 3 positions button.

Available in 220V or 400V control voltage.

The thermal protection to have to be choosed according the motor intensity (MCOR1 ou U1216).



Product	Power (kW)	Control voltage	H x L x P	Type	Intensity range
BDM_12SP_7K5_400	7.5	400	230x300x115	Way 1/Way2	18
BDM_12SP_7K5_230	7.5	230	230x300x115	Way 1/Way2	18
BDM_12SP_15K_400	15	400	230x300x115	Way 1/Way2	32
BDM_12SP_15K_230	15	230	230x300x115	Way 1/Way2	32

- **Motor starter box Up/Down plastic with circuit breaker and control by limit switch**

Box allows to reverse the direction of rotation of three phase motor thanks to a arrow up and a arrow down.

When you push the button with the arrow up the motor turn up until he gets the limit switch or if you press the red button. It's the same for down arrow

Available in 220V or 400V control voltage.

The thermal protection to have to be choosed according the motor intensity (C4-32).



Product	Power (kW)	Control voltage	H x L x P	Type	Intensity range
BDM_HBSP_7K5_400	7.5	400	230x300x115	Up/Down	18
BDM_HBSP_7K5_230	7.5	230	230x300x115	Up/Down	18
BDM_HBSP_15K_400	15	400	230x300x115	Up/Down	32
BDM_HBSP_15K_230	15	230	230x300x115	Up/Down	32

- **Motor starter box delta star with circuit breaker**

Box allows to progressive start for 380/690V motor in delta star. The timer permits to transfer from delta star according the chosing time.

Available in 220V or 400V control voltage.

The thermal protection to have to be choosed according the motor intensity (MCOR1 ou U1216)



Product	Power (kW)	Control voltage	H x L x P	Type	Intensity range
BDM_ETSP_7K5_400	7.5	400	230x300x115	Delta star	18
BDM_ETSP_7K5_230	7.5	230	230x300x115	Delta star	18
BDM_ETSP_15K_400	15	400	230x300x115	Delta star	32
BDM_ETSP_15K_230	15	230	230x300x115	Delta star	32

3. WARNING



RISKS OF ELECTROCUTION OR EXPLOSION

- The use, the maintenance and the opening of the motor starter box must be realized by electricians entitled to do this.
- Before any use, check correctly the connections and the ground connections.
- Before any intervention on the motor, power supply of the inverter must be turned off.
- Keep power cords away from heat, oil and sharp objects.
- Do not remove protective fuses. Do not change the size of the proposed fuses.
- Do not pull power cords to disconnect the case from an electrical outlet.

NON-RESPECT OF THESE RULES MAY BE FATAL : DEATH, SERIOUS INJURIES AND MATERIAL DAMAGES