

inORéa

Automatismes & Industrie



TECHNICAL DOCUMENTATION

SOLID STATE VOLTAGE REGULATOR 220V

Inoréa Automation & Industry
9 rue du Lugan
33130 BEGLES
contact@inorea.com
www.inorea.com

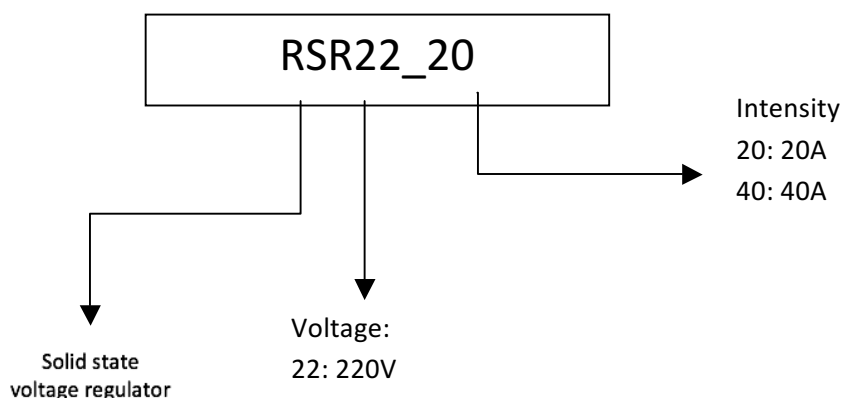
SS

1. DESCRIPTION AND FEATURES



- CE solid state voltage regulator
- Dimensions: 57.4mm x 44.8mm x 28mm, 100g
- Control by a potentiometer 220K Ω -470k Ω 2W
- Output current 10-120A
- With a LED indicator
- Output :
 - Voltage 0-220VAC or 380V
 - Leakage current at rest \leq 2mA
 - Maximum reduction in voltage 1.5V
- Dielectric rigidity 2500Vrms
- Temperature -20°C à 80°C

2. PRODUCT

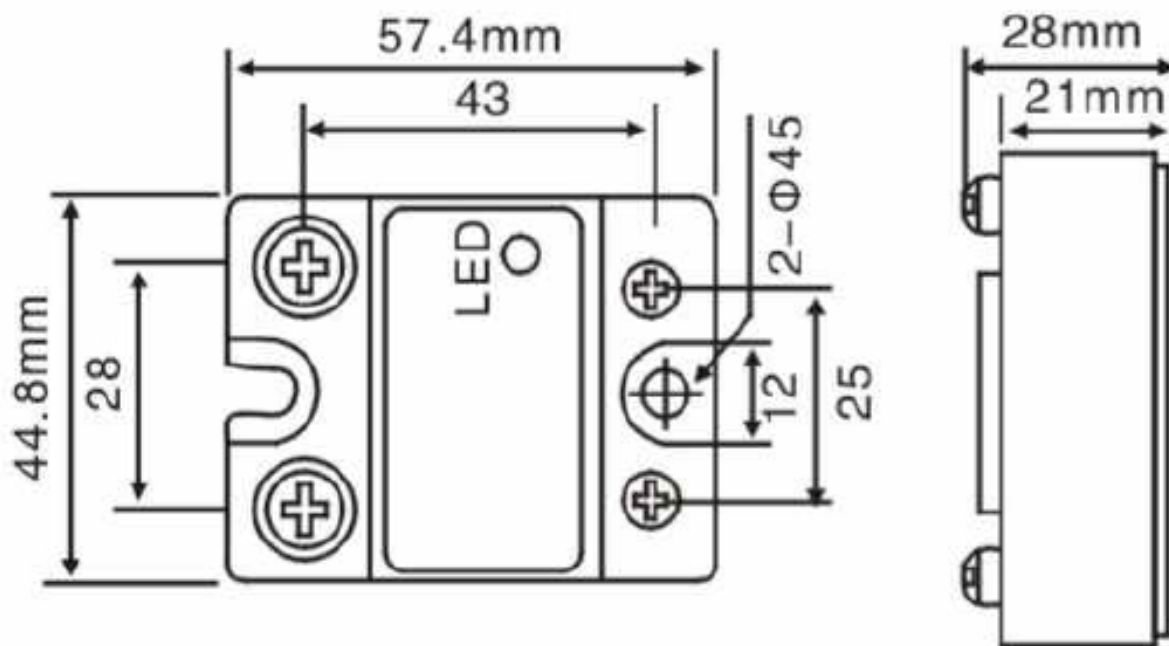


3. OPTIONS OR DIFFERENT MODELS COMBINATIONS

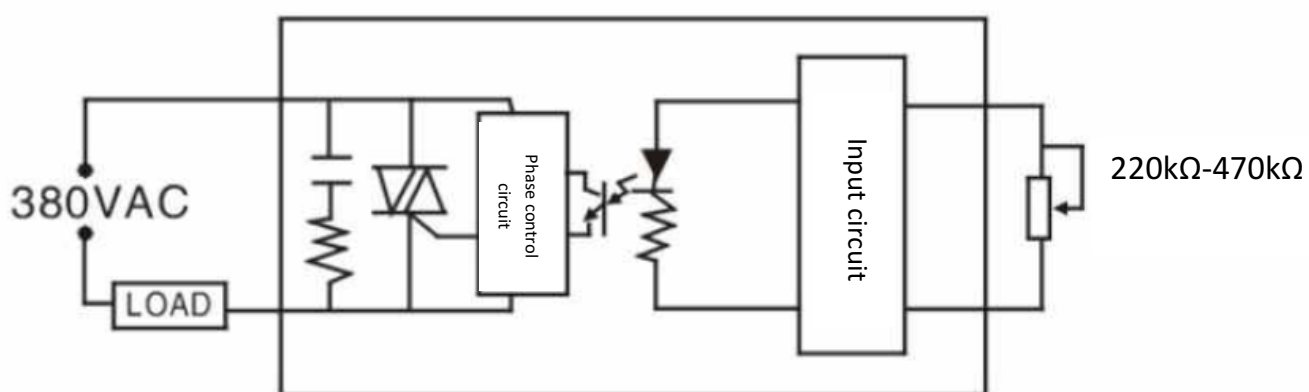
Single phase solid state voltage regulator	
RSR22-20	Single phase solid state voltage regulator 20A
RSR22-40	Single phase solid state voltage regulator 40A

4. PLANS

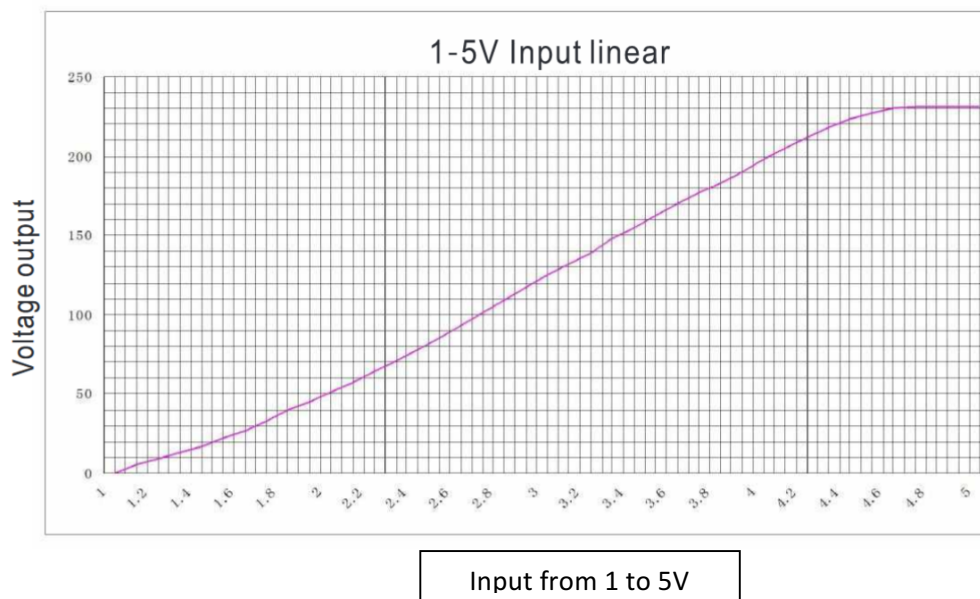
Dimensions



Electrical wiring



Output depending on the input



Input from 1 to 5V